



REVISIONS
ENTIRE PAGE PER ARCHITECT 10/24/01

CONSULTANT

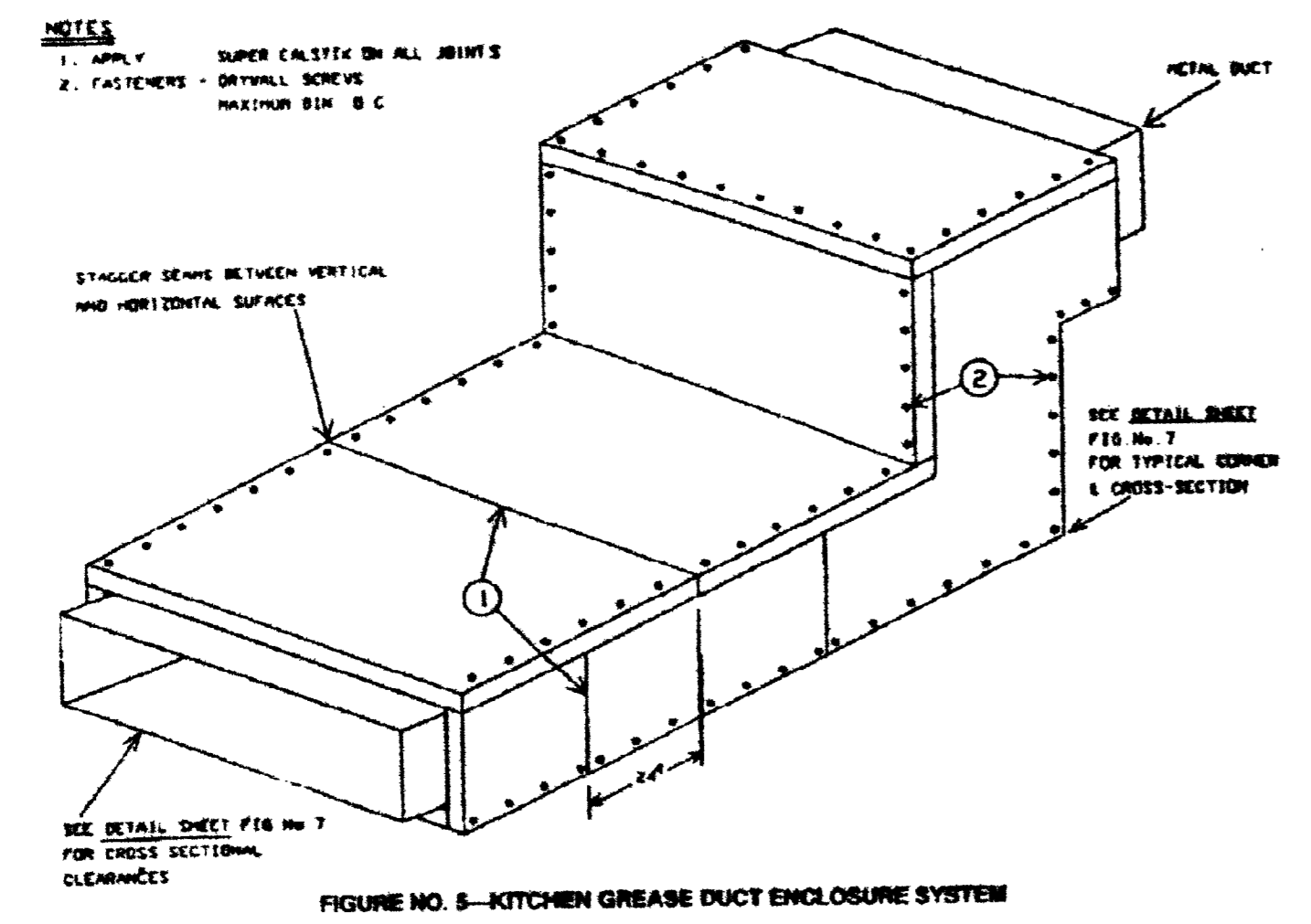


FIGURE NO. 5—KITCHEN GREASE DUCT ENCLOSURE SYSTEM

- NOTES:**
1. UNLESS OTHERWISE NOTED, ALL SURFACES SHALL BE FINISHED BY BRUSHING UPON THE DUCT AND ON THE ENCLOSURE ENCLOSURE.
 2. DUCT HANGERS AND SUPPORTS FOR HORIZONTAL AND VERTICAL RUNS SHALL BE DESIGNED TO PROVIDE ADEQUATE SUPPORT FOR THE DUCT AND ENCLOSURE ASSEMBLY TO THE REQUIREMENTS OF THE BUILDING AND FIRE-RESISTANCE CODES.
 3. LABELS PROVIDED BY FABRICATOR SHALL BE PLACED BLANKET TO ALL ELEMENTS OF THE SYSTEM WHICH STATE THAT CORROSION MUST BE PREVENTED BY THE USER.
 4. DUCT AND ENCLOSURE SHALL BE SUPPORTED BY HANGERS FROM ROOF OR BY LAPING DIRECTLY ON CEILING JOISTS. HANGER SPACING BETWEEN SUPPORTS IS 4 FEET.
 5. LATERAL SUPPORT FOR VERTICAL RUNS SHALL BE PROVIDED EVERY 10 FEET OR AT EVERY FLOOR LEVEL, IN MULTI-STORY STRUCTURES.
 6. SUPPORT FOR THE VERTICAL PORTION OF THE ENCLOSURE MUST BE CAPABLE OF SUPPORTING THE WEIGHT OF THE DUCT AND THE ENCLOSURE.
 7. CALCULATIONS FOR SUPPORTS, HANGERS AND CONNECTIONS SHALL BE SUBMITTED TO THE BUILDING OFFICIAL FOR APPROVAL.
 8. FOR 1 HOUR ENCLOSURE USE 1 1/2" THICK FIRESTOP.
FOR 2 HOUR ENCLOSURE USE 3" THICK FIRESTOP.

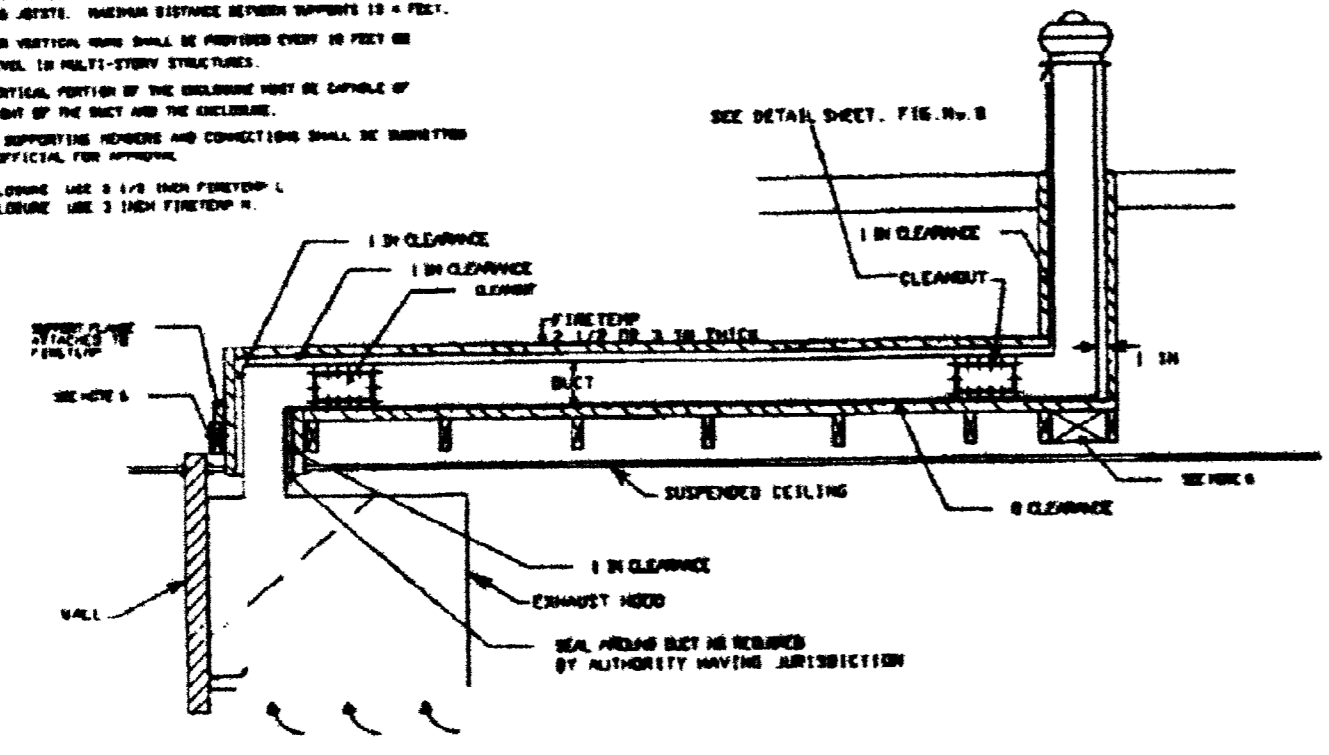


FIGURE NO. 6—KITCHEN GREASE DUCT ENCLOSURE SYSTEM

SI Units Conversion:
1 in. = 25.4

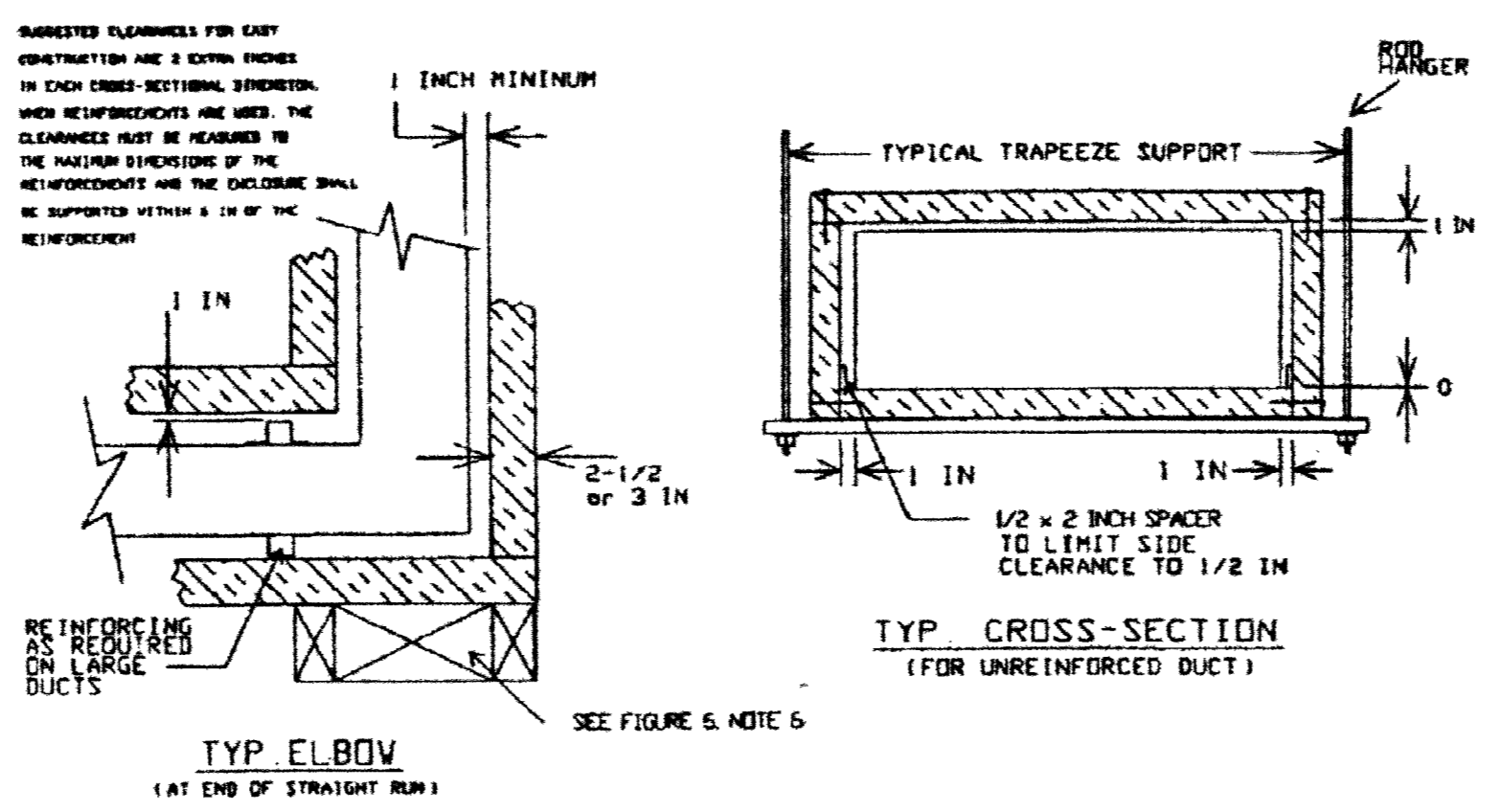


FIGURE NO. 7—KITCHEN GREASE DUCT ENCLOSURE SYSTEM

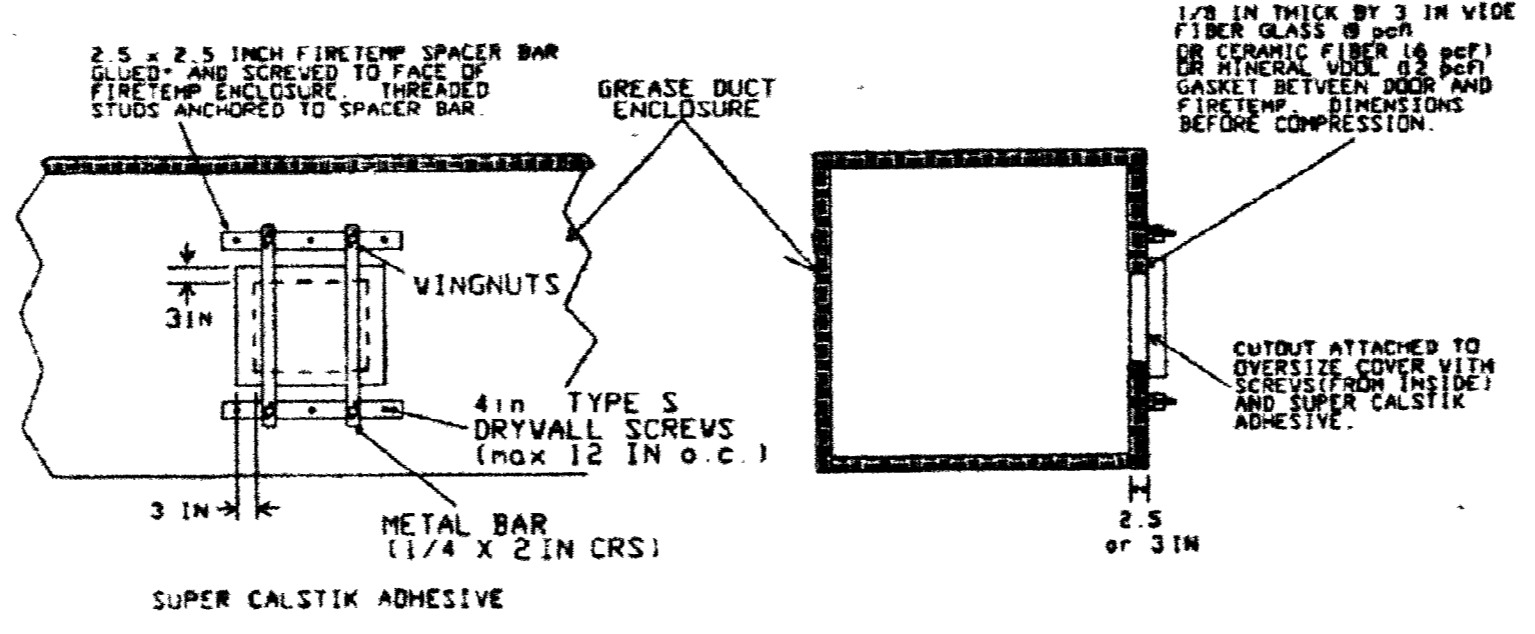


FIGURE NO. 8—CLEANOUT DOOR OF KITCHEN GREASE DUCT ENCLOSURE SYSTEM

SI Units Conversion:
1 in. = 25.4

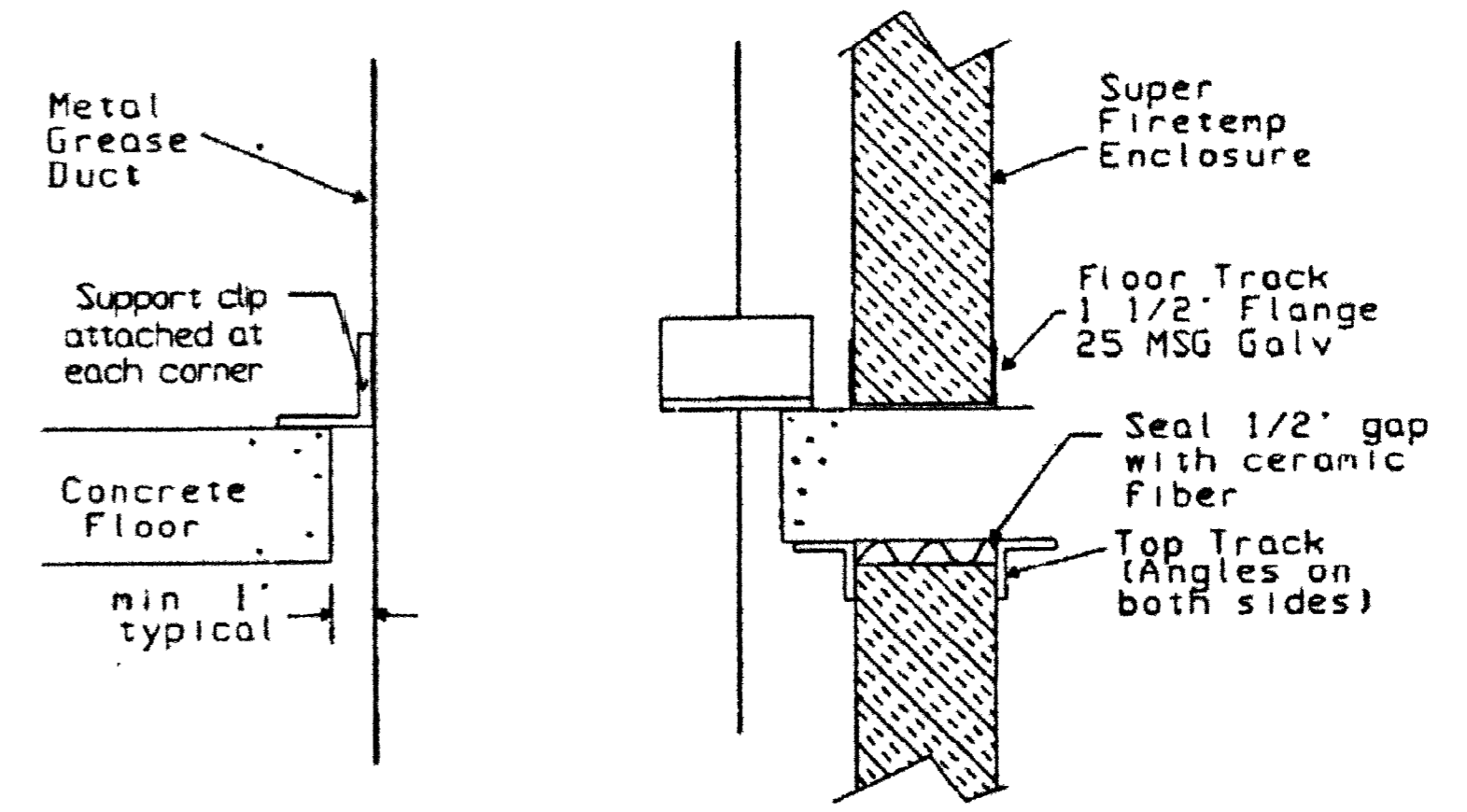


FIGURE NO. 9—MULTISTORY GREASE DUCT ENCLOSURE CONSTRUCTION

SI Units Conversion:
1 in. = 25.4

RECORD DRAWING
DEPARTMENT OF PUBLIC WORKS

CITY OF LAS VEGAS, NEVADA
FIRE STATION #44
1 HR RATED GREASE SHAFT UL LISTINGS
SPECS & DETAILS PAGE 3

OWNER: CITY OF LAS VEGAS
DEPARTMENT OF PUBLIC WORKS
ARCHITECTURAL SERVICES

400 EAST STEWART AVENUE
LAS VEGAS, NEVADA 89101
PHONE: (702) 229-6535
FAX: (702) 382-3232
TDD: (702) 386-9108

DRAWN	EPS
FILE	fs44-A10-813
DATE	10/29/01
SCALE	N/A
REV NO	02.15341.01
CLYING NO	630.96
	53 OF 106
SIT NO	A10.8.3

57275

Drawings are representations of work and the property of the design professional. Any use of reproduction in whole or in part without written consent is strictly prohibited. Copies of the drawings and specifications retained by the client may be utilized only for occupying the project for which they were prepared and not for the construction of any other project. P.A. 6-22789