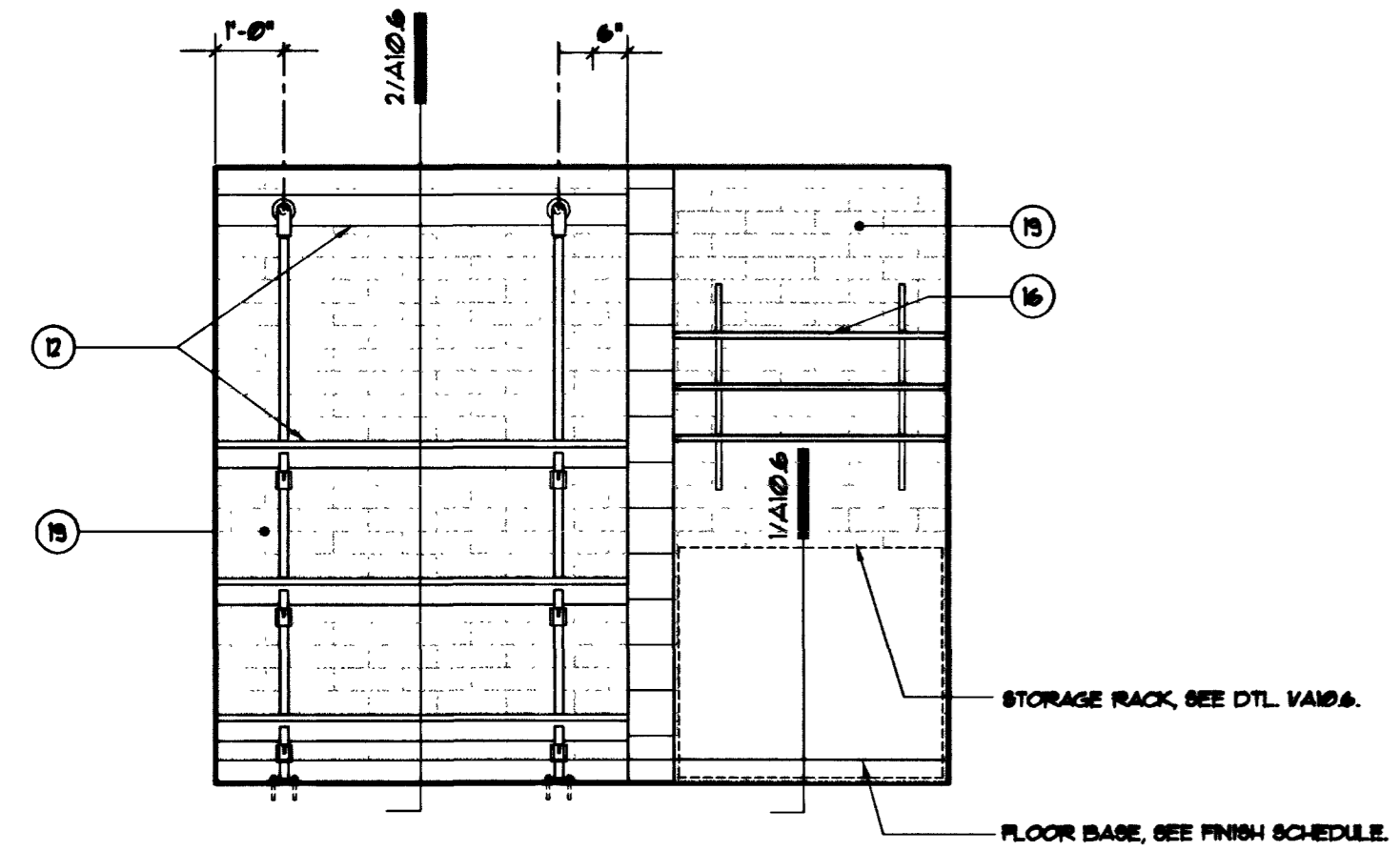
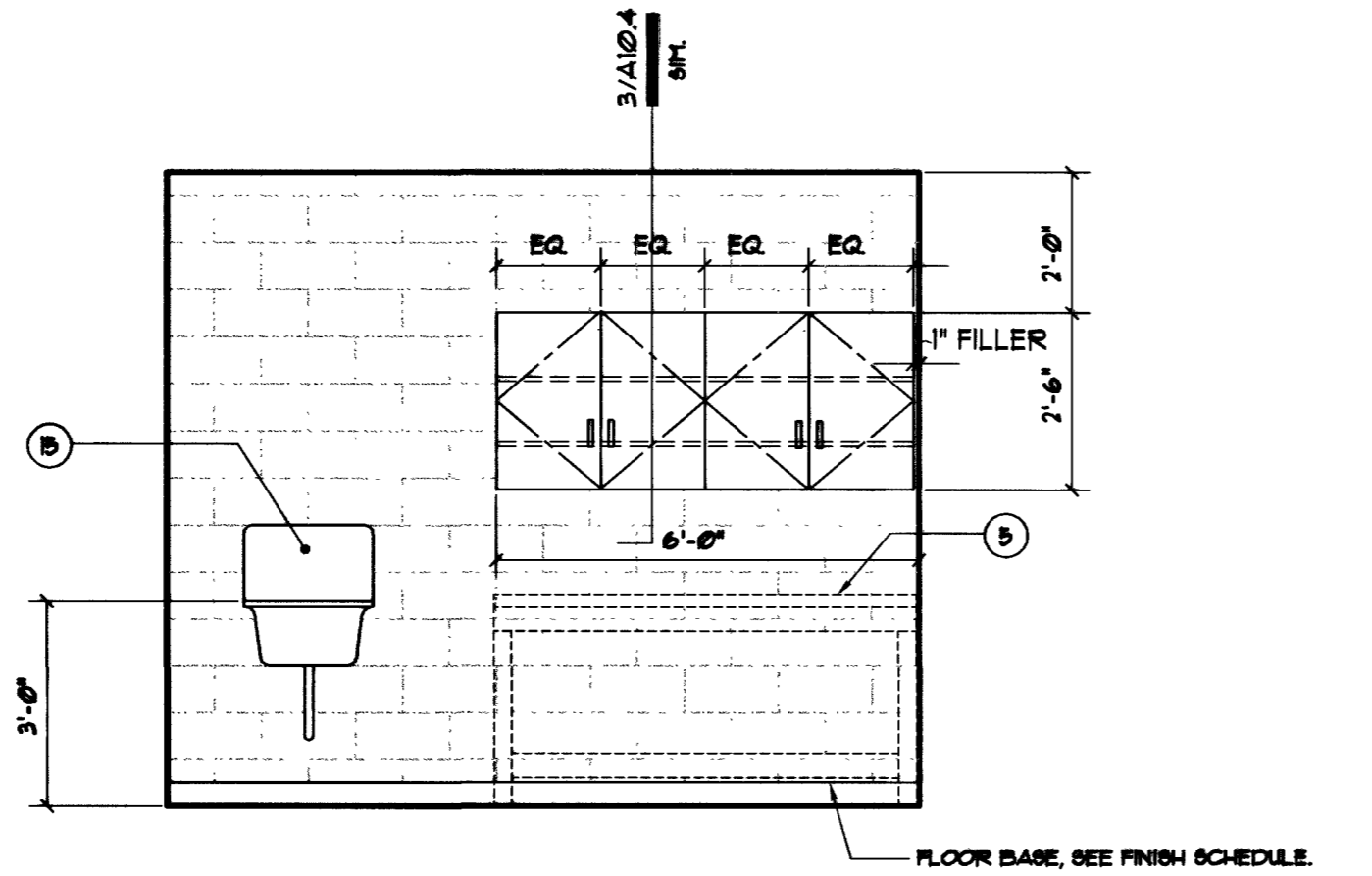


REVISIONS

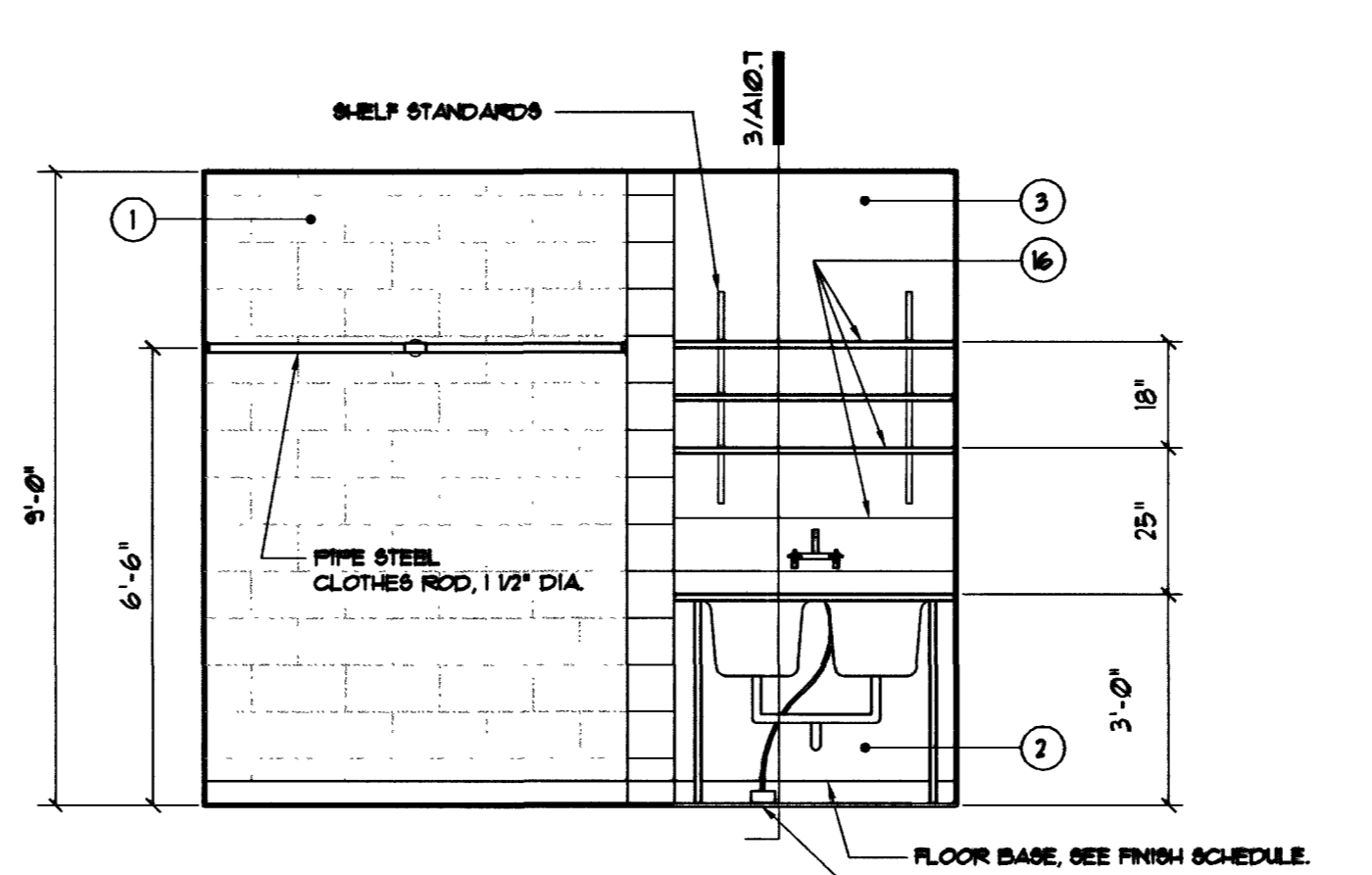

CONSULTANT



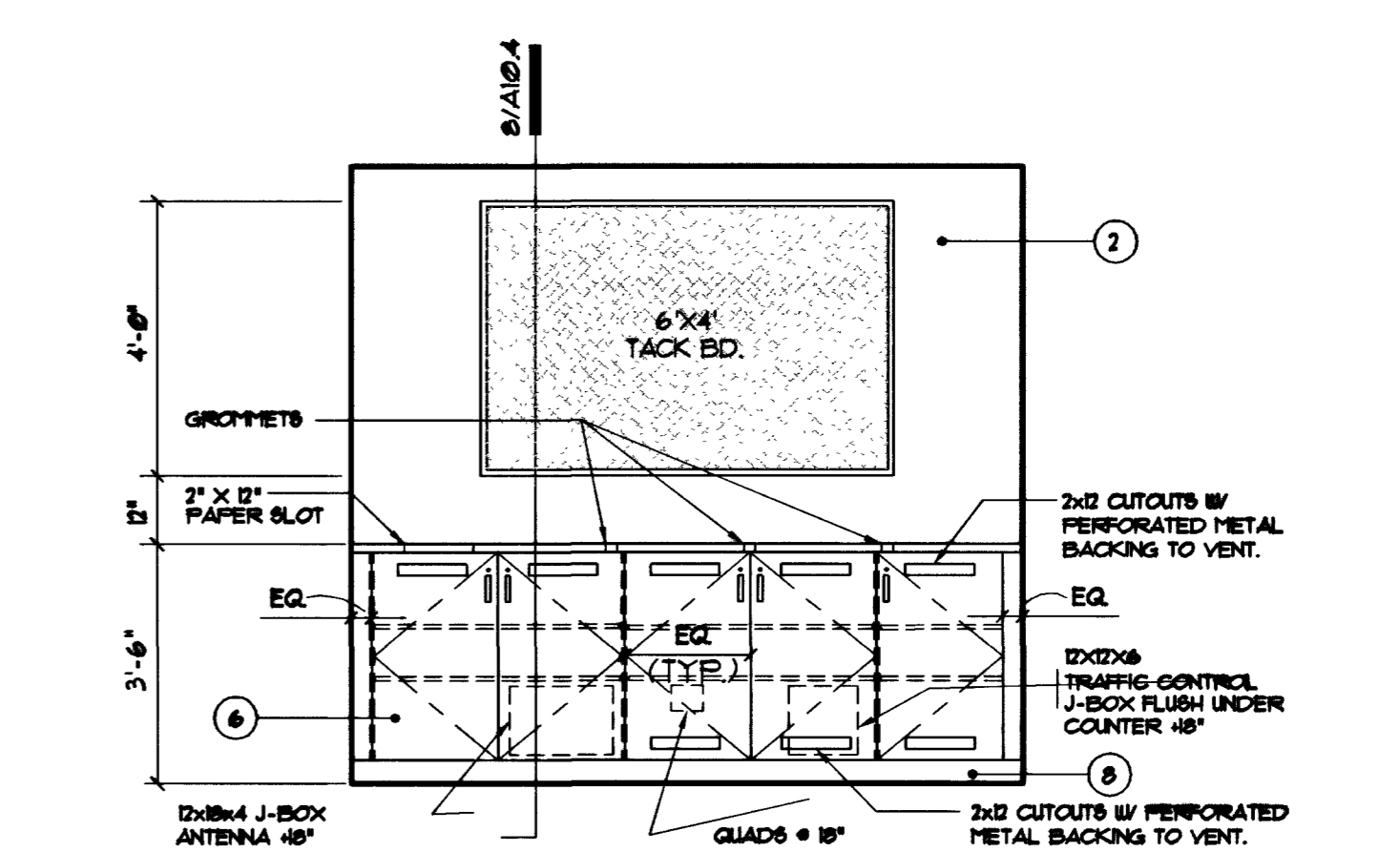
1 UTILITY CON 134  
Scale: 3/8" = 1'-0"



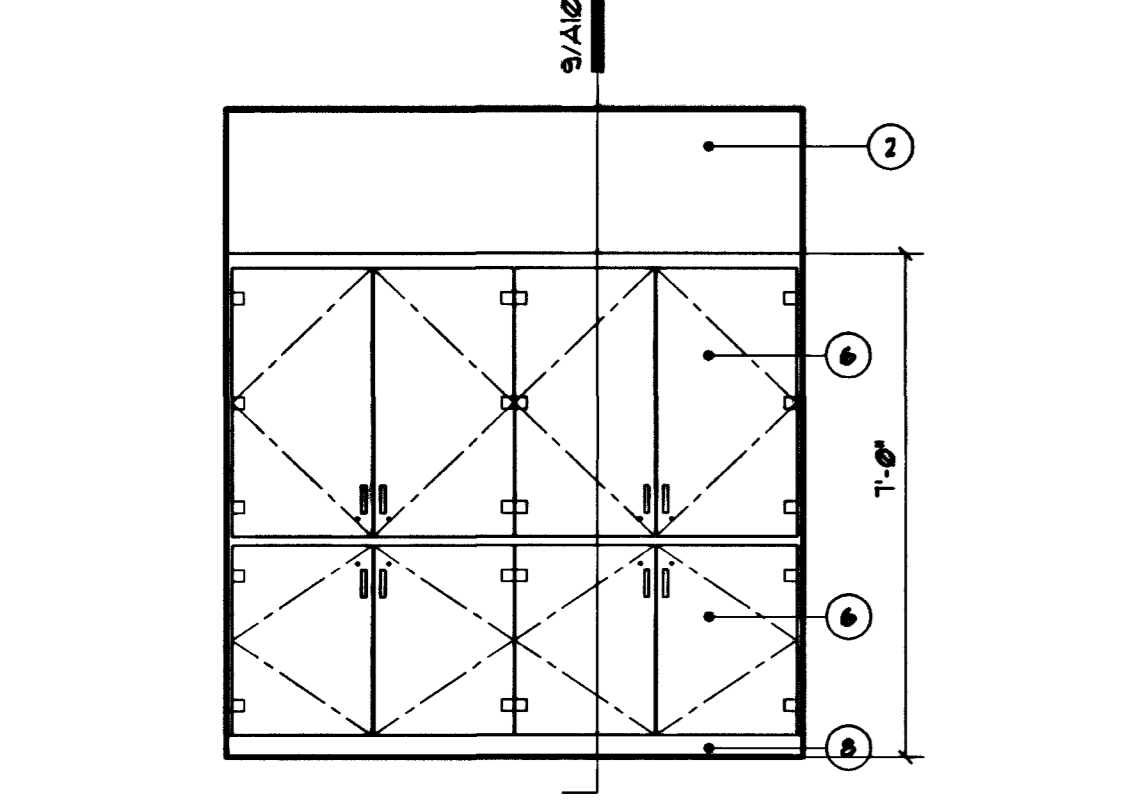
2 UTILITY CON 134  
Scale: 3/8" = 1'-0"



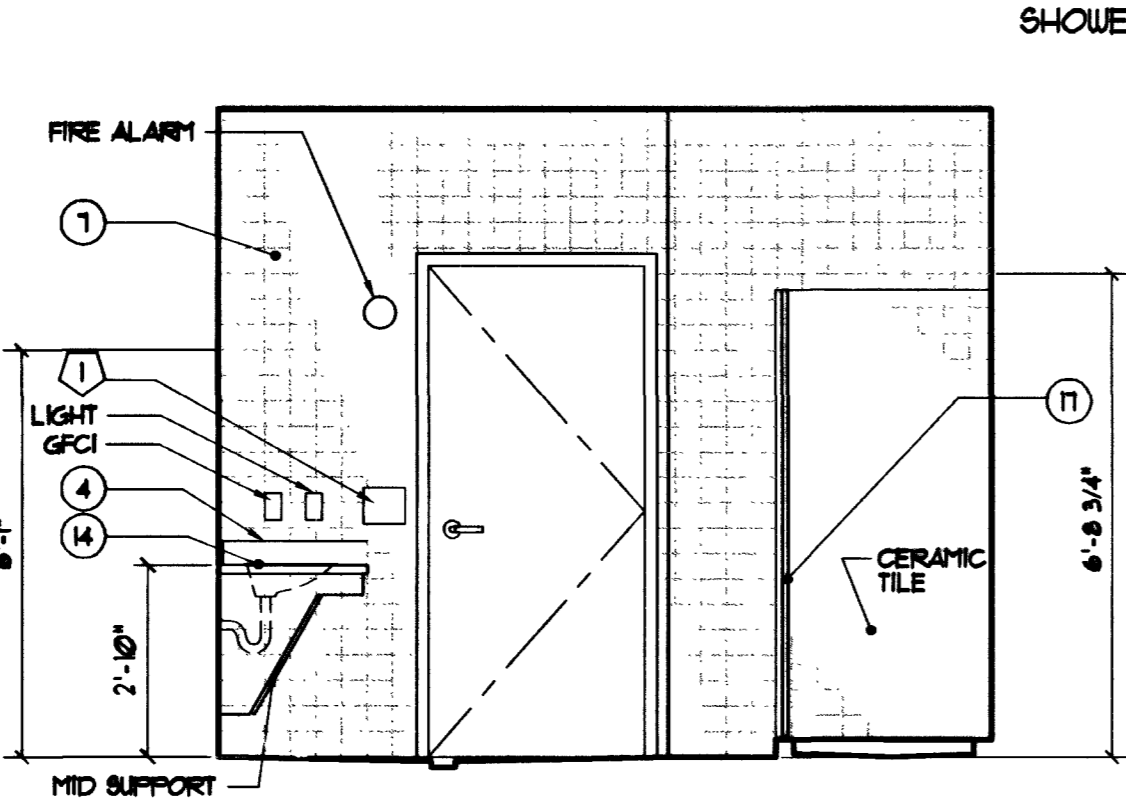
3 CLEAN ROOM 135  
Scale: 3/8" = 1'-0"



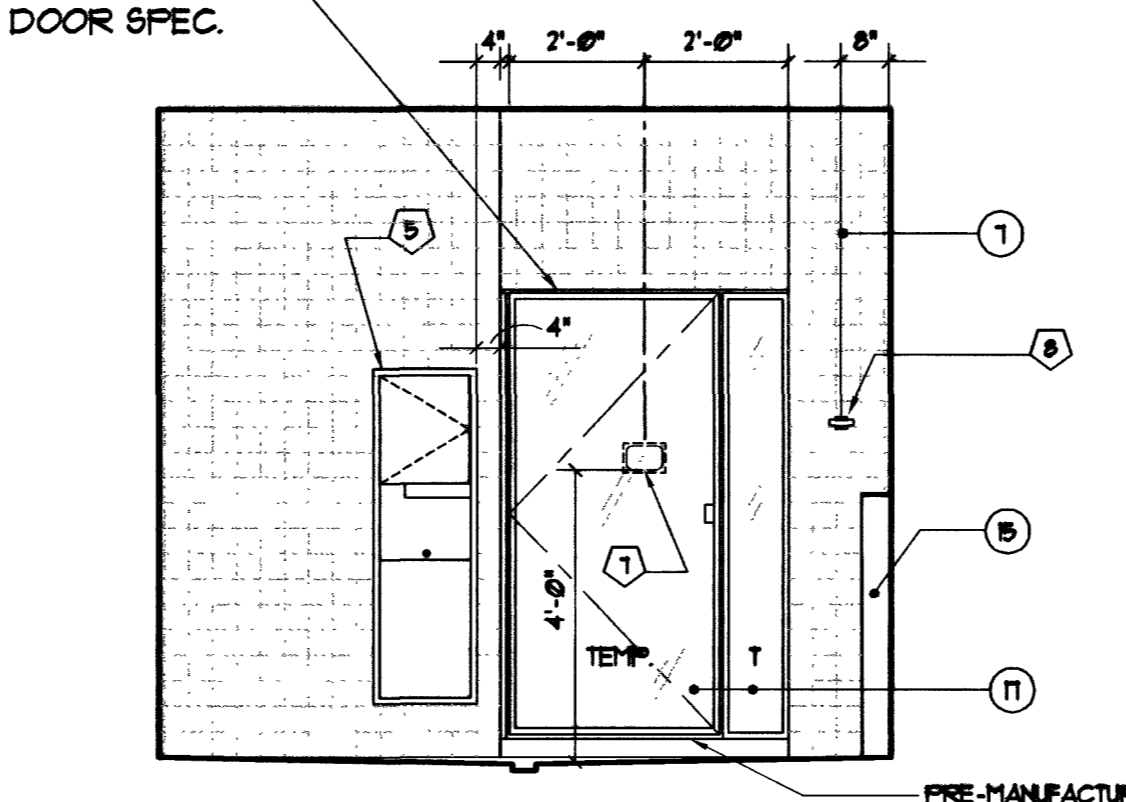
4 ALARM STATION (PARTIAL RM. 102)  
Scale: 3/8" = 1'-0"



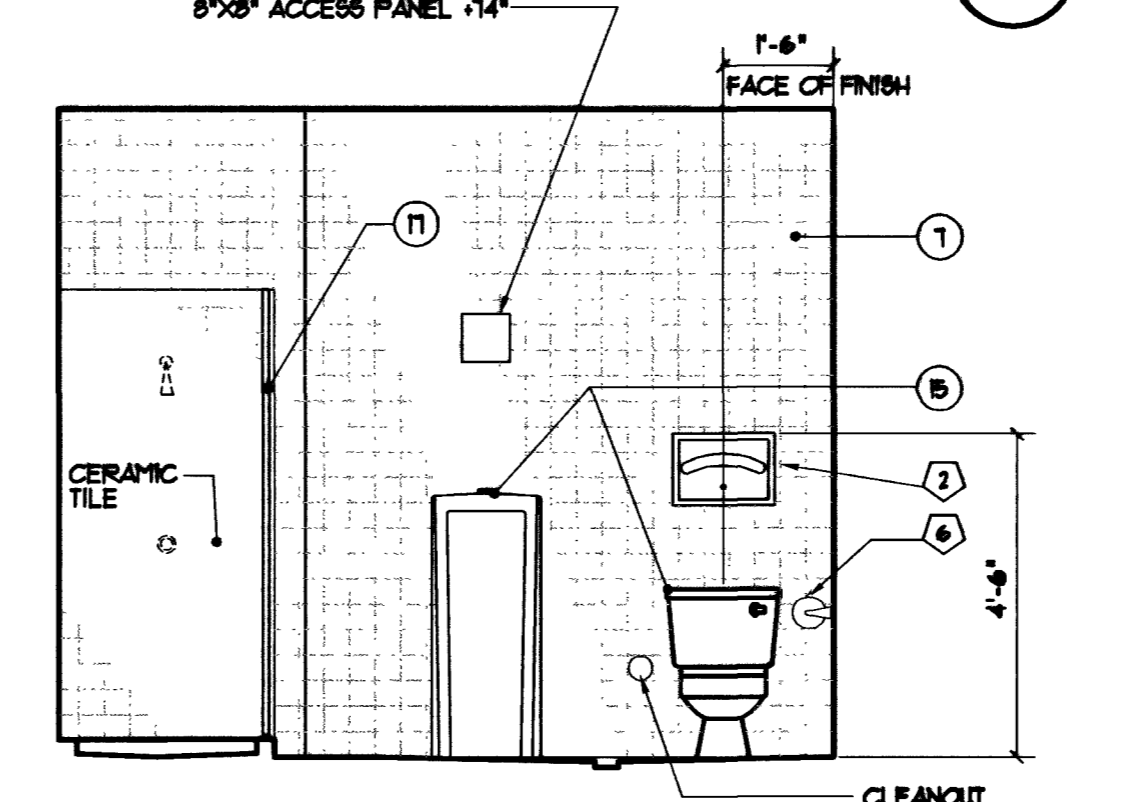
5 CAPTAIN'S DORM LINEN  
Scale: 3/8" = 1'-0"



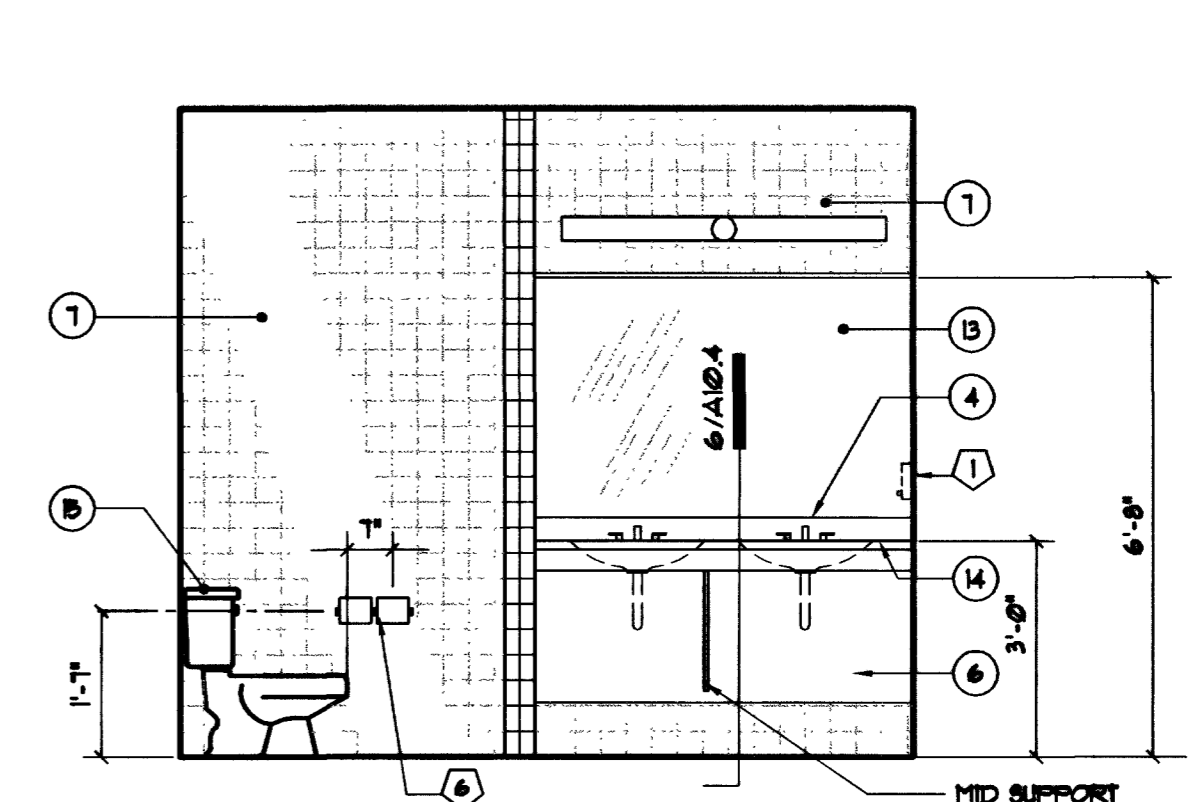
6 CAPTAIN'S BATH 118  
Scale: 3/8" = 1'-0"



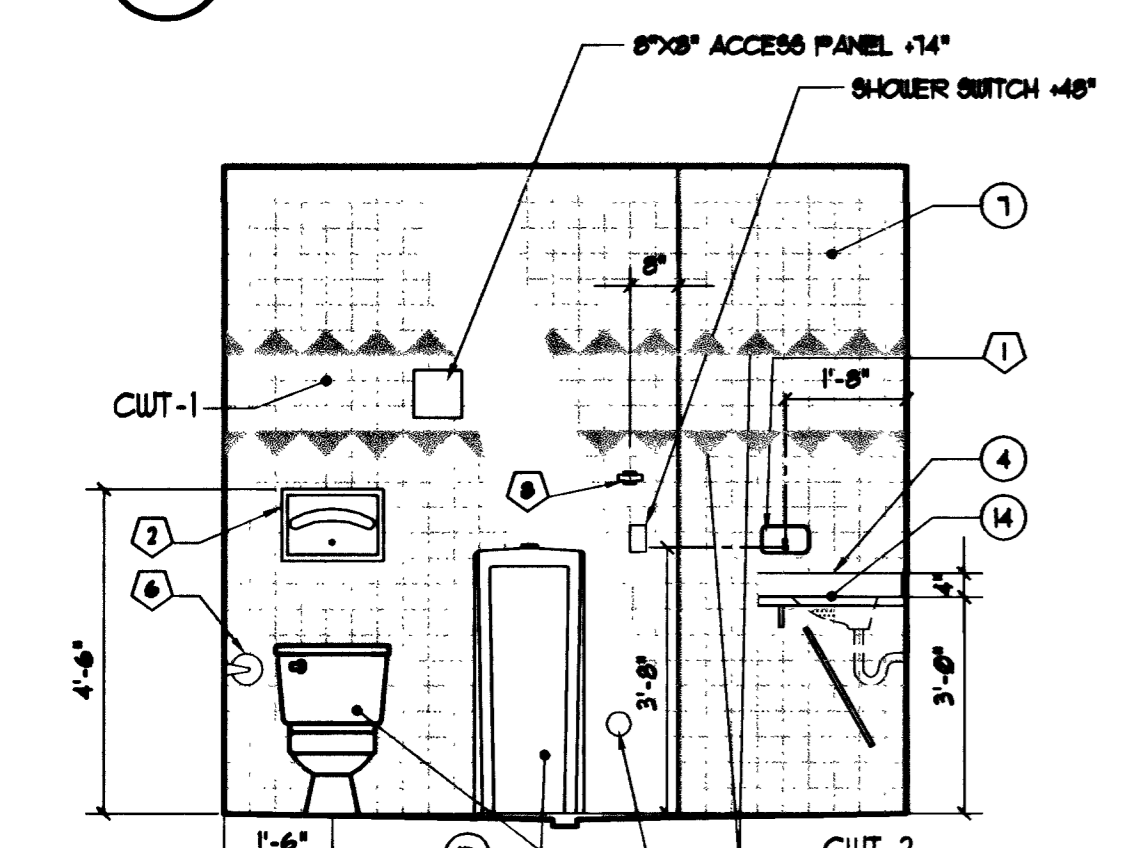
7 CAPTAIN'S BATH 118  
Scale: 3/8" = 1'-0"



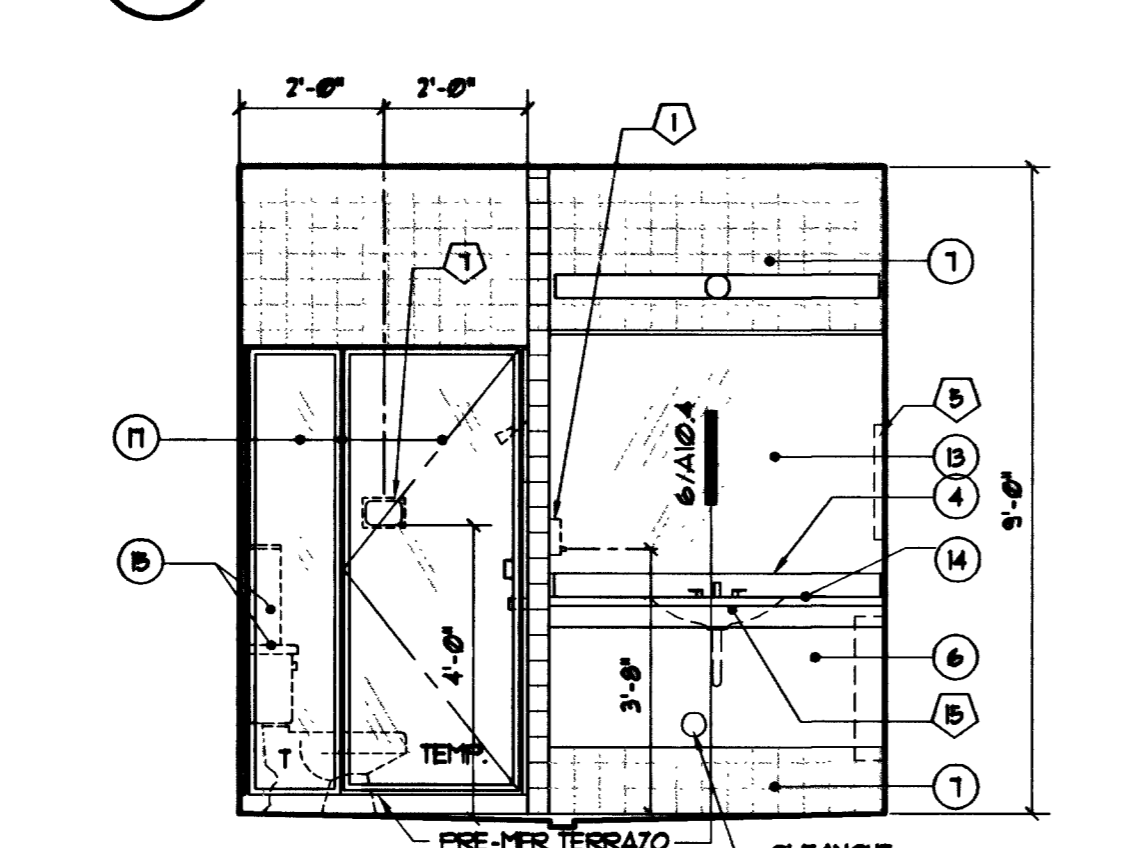
8 CAPTAIN'S BATH 118  
Scale: 3/8" = 1'-0"



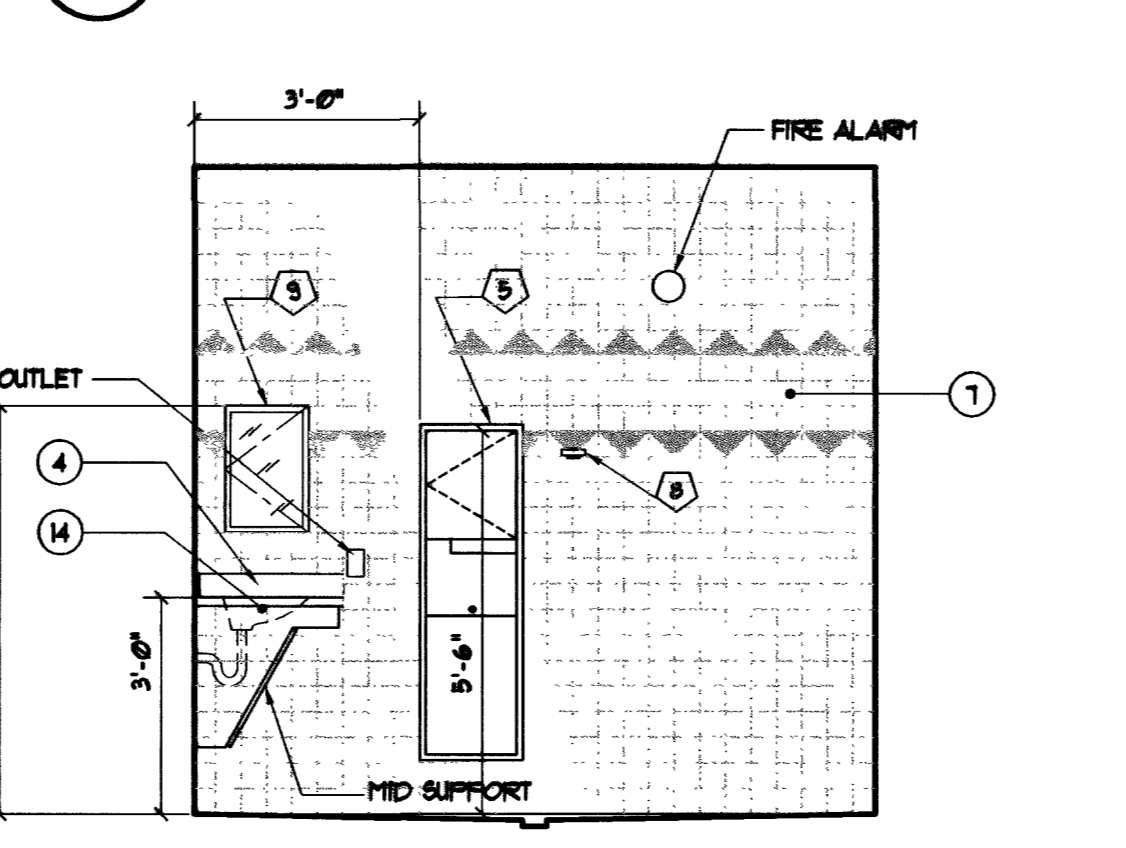
9 CAPTAIN'S BATH 118  
Scale: 3/8" = 1'-0"



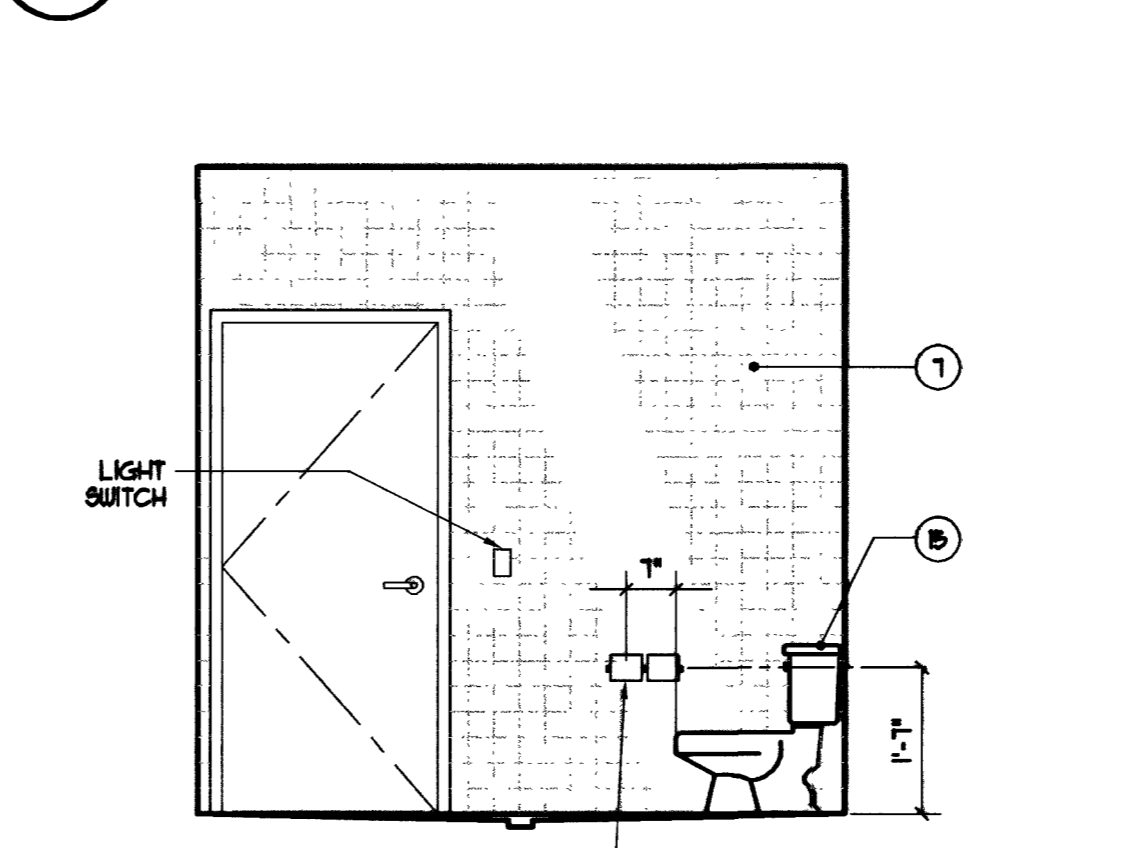
10 BATH 121  
Scale: 3/8" = 1'-0"



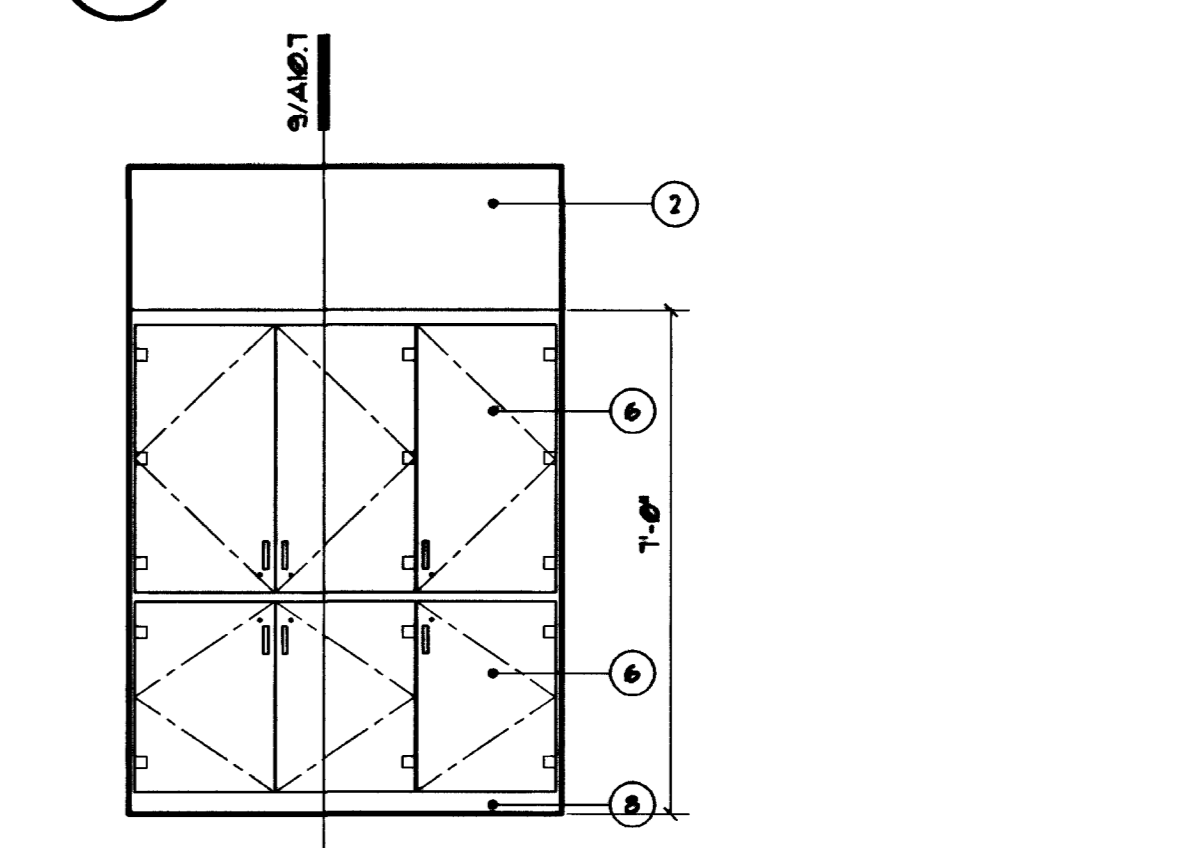
11 BATH 121  
Scale: 3/8" = 1'-0"



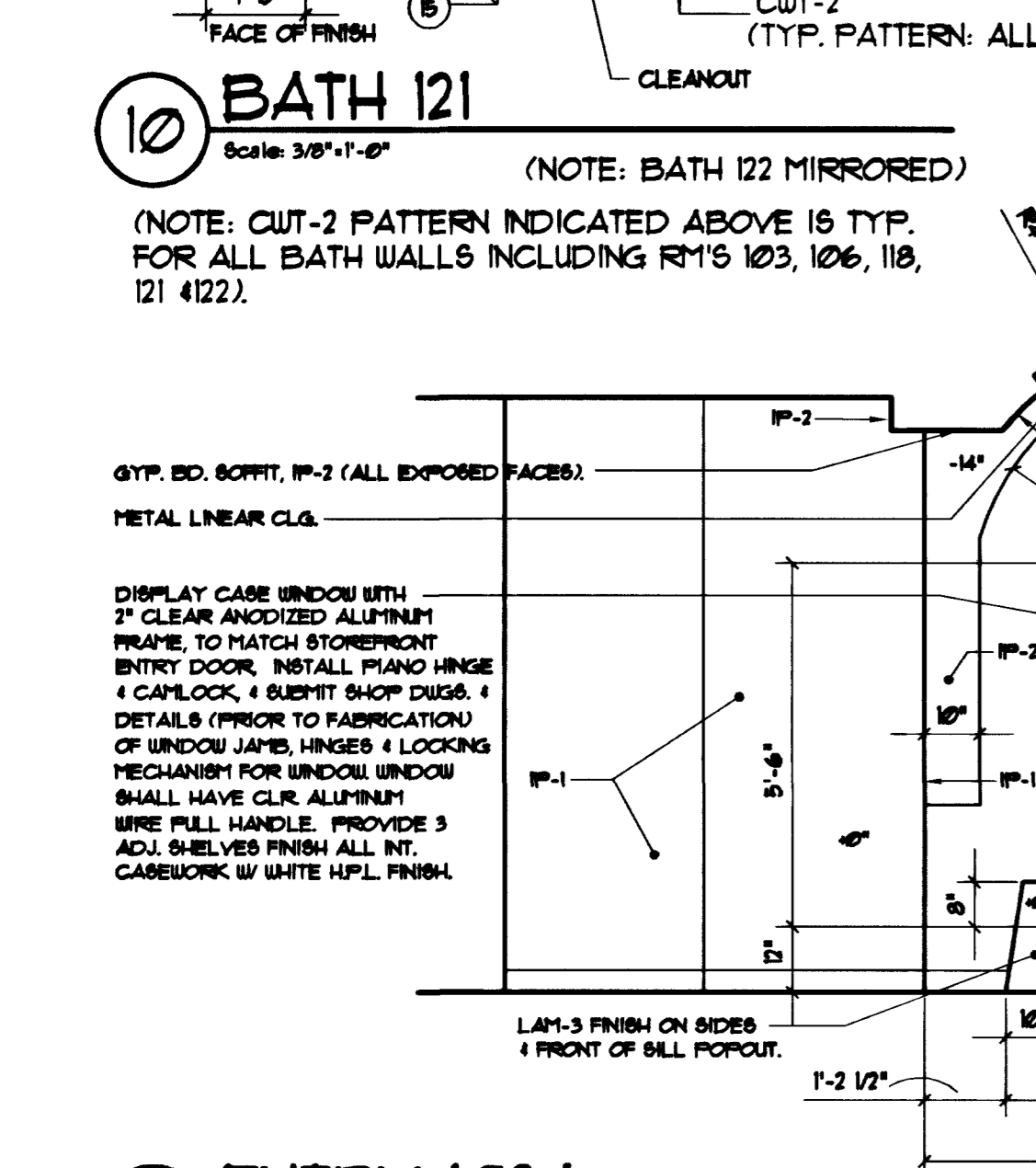
12 BATH 121  
Scale: 3/8" = 1'-0" (NOTE: BATH 122 MIRRORED)



13 BATH 121  
Scale: 3/8" = 1'-0" (NOTE: BATH 122 MIRRORED)



14 ENGINE DORM LINEN  
Scale: 3/8" = 1'-0" (NOTE: VEST. 122A MIRRORED)



15 ENTRY 102A  
Scale: 3/8" = 1'-0"

**KEYNOTES**

- 1 CMU WALL, SEE FINISH SCHEDULE.
- 2 GYPSUM BOARD OVER METAL STUD FRAMING, SEE WALL LEGEND.
- 3 GYPSUM BOARD O/ FURRING CHANNELS
- 4 SILSTONE FINISH BACKSPASH TO MATCH COUNTERTOP
- 5 WORK BENCH FURNISHED & INSTALLED BY OWNER
- 6 PLASTIC LAMINATE FINISH CABINETS, SEE DETAILS INDICATED.
- 7 CERAMIC WALL TILE AND COVE BASE, SEE SHEET A6.
- 8 RUBBER COVE BASE, SEE SHEET A6 & SPEC'S.
- 9 FABRIC COVER PANEL BOARD DISPLAY, SEE SHEET A13 & SEE DETAIL 12/A1. 1/2" THICK. (TACKABLE) 2'-8" (W) X 5'-3" (H) X 1/2" (THK).
- 10 ADJUSTABLE 1/4" THK. FROSTED GLASS SHELVES, 3 TOTAL.
- 11 3" H. VINYL LETTERS (SILVER COLORED), HELVETICA FONT, CENTERED.
- 12 HOSE RACK, SEE DETAIL 2/A10.6.
- 13 MIRROR, POLISH EDGES, ANCHOR W/ ADHESIVE, SEE SPEC'S.
- 14 SILSTONE FINISH COUNTERTOP
- 15 PLUMBING FIXTURES, SEE PLUMBING DRAWINGS FOR MODEL #, ETC.
- 16 STAINLESS STL. DISINFECTING SINK AND SHELVES, SEE DTL. 3/A10.1. (DISINFECTING SINK NOT REQ'D @ RM. 134, PROVIDE ADJ. SHELVES.)
- 17 PREMANUF'D ALUM/GLASS SHOWER DOOR W/ SIDELIGHT, SEE SHEET A82 FOR SPECIFICATION.
- 18 GYP. BD. SOFFIT, SEE DETAIL 3/A10.4 (NO BASE CAB'S).
- 19 EXPOSED CMU WALL, SEE WALL LEGEND, SHEET G2.

**BATH ACCESSORIES**

ITEM	DESCRIPTION	MANUFACTURER	MODEL	MOUNTING	REMARKS
1	SOAP DISPENSER	BOBRICK	B-412	SURFACE	BUTTON AT 44" AFF
2	TOILET SEAT COVER DISPENSER	BOBRICK	B-4221	SURFACE	AS SHOWN ON DRAWINGS.
3	36" GRAB BAR	BOBRICK	B-6806-36	SURFACE	CENTER 34" AFF
4	42" GRAB BAR	BOBRICK	B-6806-42	SURFACE	CENTER 34" AFF
5	TOUPEL DISP. & WASTE RECEPTACLE	BOBRICK	B-43944	RECESSED	AS SHOWN ON DRAWINGS.
6	TOILET PAPER DISPENSER	BOBRICK	B-686	SURFACE	AS SHOWN ON DRAWINGS.
7	SOAP DISH	BOBRICK	B-4380	RECESSED	48" AFF TO SHELF SURFACE
8	TOUPEL HOOK	BOBRICK	B-6721	SURFACE	56" AFF
9	MEDICINE CABINET	BOBRICK	B-398	RECESSED	13" AFF. TO TOP OF CABINET
10	PAPER TOWEL DISPENSER	BOBRICK	B-362	RECESSED	78" AFF. TO TOP OF CABINET
11	HORIZONTAL TOWEL WALL BAR	BOBRICK	B-4961	SURFACE	CENTER 34" AFF
12	FOLDING SHOWER SEAT W/ CUSHION	BOBRICK	B-511	SURFACE	18" AFF. TO TOP OF SEAT
13	FOLDING SHOWER SEAT W/ CUSHION	BOBRICK	B-518	SURFACE	18" AFF. TO TOP OF SEAT
14	36" LONG S.S. SHOWER CURTAIN ROD	BOBRICK	B-61071 X 36"	SURFACE	62" AFF. TO CENTER OF ROD
15	XXX	XXX	XXX	XXX	
16	XXX	XXX	XXX	XXX	
17	XXX	XXX	XXX	XXX	
18	XXX	XXX	XXX	XXX	

**RECORD DRAWING**

**DEPARTMENT OF PUBLIC WORKS**

CITY OF LAS VEGAS, NEVADA  
FIRE STATION #44  
Interior Elevations &  
Toilet Accessory Schedule

OWNER: CITY OF LAS VEGAS  
DEPARTMENT OF PUBLIC WORKS  
ARCHITECTURAL SERVICES

400 EAST STEWART AVENUE  
LAS VEGAS, NEVADA 89101  
PHONE: (702) 229-6535  
FAX: (702) 382-3232  
TDD: (702) 386-9108

DRAWN: EP5  
FILE: 1644-A8-1  
DATE: 10/29/01  
SCALE: 3/8" = 1'-0"  
SHEET NO: 02.15341.02  
CITY DRAWING NO: 63097  
40 OF 106  
A8.1