



REVISIONS
5 Per Architect - 12/15/01

CONSULTANT

OWNER: CITY OF LAS VEGAS, NEVADA
DEPARTMENT OF PUBLIC WORKS
ARCHITECTURAL SERVICES

400 EAST STEWART AVENUE
LAS VEGAS, NEVADA 89101
PHONE: (702) 229-6535
FAX: (702) 382-3232
TDD: (702) 386-9108

DRAWN: EP5
FILE: 1644-A10-1
DATE: 7/1/01
SCALE: As Noted
SHEET NO: 02.15341.02
CLYDWGNO: 63037
44 OF 106
SHT NO: A10.1

OWNER: CITY OF LAS VEGAS, NEVADA
DEPARTMENT OF PUBLIC WORKS
ARCHITECTURAL SERVICES

400 EAST STEWART AVENUE
LAS VEGAS, NEVADA 89101
PHONE: (702) 229-6535
FAX: (702) 382-3232
TDD: (702) 386-9108

DRAWN: EP5
FILE: 1644-A10-1
DATE: 7/1/01
SCALE: As Noted
SHEET NO: 02.15341.02
CLYDWGNO: 63037
44 OF 106
SHT NO: A10.1

OWNER: CITY OF LAS VEGAS, NEVADA
DEPARTMENT OF PUBLIC WORKS
ARCHITECTURAL SERVICES

400 EAST STEWART AVENUE
LAS VEGAS, NEVADA 89101
PHONE: (702) 229-6535
FAX: (702) 382-3232
TDD: (702) 386-9108

DRAWN: EP5
FILE: 1644-A10-1
DATE: 7/1/01
SCALE: As Noted
SHEET NO: 02.15341.02
CLYDWGNO: 63037
44 OF 106
SHT NO: A10.1

OWNER: CITY OF LAS VEGAS, NEVADA
DEPARTMENT OF PUBLIC WORKS
ARCHITECTURAL SERVICES

400 EAST STEWART AVENUE
LAS VEGAS, NEVADA 89101
PHONE: (702) 229-6535
FAX: (702) 382-3232
TDD: (702) 386-9108

DRAWN: EP5
FILE: 1644-A10-1
DATE: 7/1/01
SCALE: As Noted
SHEET NO: 02.15341.02
CLYDWGNO: 63037
44 OF 106
SHT NO: A10.1

OWNER: CITY OF LAS VEGAS, NEVADA
DEPARTMENT OF PUBLIC WORKS
ARCHITECTURAL SERVICES

400 EAST STEWART AVENUE
LAS VEGAS, NEVADA 89101
PHONE: (702) 229-6535
FAX: (702) 382-3232
TDD: (702) 386-9108

DRAWN: EP5
FILE: 1644-A10-1
DATE: 7/1/01
SCALE: As Noted
SHEET NO: 02.15341.02
CLYDWGNO: 63037
44 OF 106
SHT NO: A10.1

OWNER: CITY OF LAS VEGAS, NEVADA
DEPARTMENT OF PUBLIC WORKS
ARCHITECTURAL SERVICES

400 EAST STEWART AVENUE
LAS VEGAS, NEVADA 89101
PHONE: (702) 229-6535
FAX: (702) 382-3232
TDD: (702) 386-9108

DRAWN: EP5
FILE: 1644-A10-1
DATE: 7/1/01
SCALE: As Noted
SHEET NO: 02.15341.02
CLYDWGNO: 63037
44 OF 106
SHT NO: A10.1

OWNER: CITY OF LAS VEGAS, NEVADA
DEPARTMENT OF PUBLIC WORKS
ARCHITECTURAL SERVICES

400 EAST STEWART AVENUE
LAS VEGAS, NEVADA 89101
PHONE: (702) 229-6535
FAX: (702) 382-3232
TDD: (702) 386-9108

DRAWN: EP5
FILE: 1644-A10-1
DATE: 7/1/01
SCALE: As Noted
SHEET NO: 02.15341.02
CLYDWGNO: 63037
44 OF 106
SHT NO: A10.1

OWNER: CITY OF LAS VEGAS, NEVADA
DEPARTMENT OF PUBLIC WORKS
ARCHITECTURAL SERVICES

400 EAST STEWART AVENUE
LAS VEGAS, NEVADA 89101
PHONE: (702) 229-6535
FAX: (702) 382-3232
TDD: (702) 386-9108

DRAWN: EP5
FILE: 1644-A10-1
DATE: 7/1/01
SCALE: As Noted
SHEET NO: 02.15341.02
CLYDWGNO: 63037
44 OF 106
SHT NO: A10.1

OWNER: CITY OF LAS VEGAS, NEVADA
DEPARTMENT OF PUBLIC WORKS
ARCHITECTURAL SERVICES

400 EAST STEWART AVENUE
LAS VEGAS, NEVADA 89101
PHONE: (702) 229-6535
FAX: (702) 382-3232
TDD: (702) 386-9108

DRAWN: EP5
FILE: 1644-A10-1
DATE: 7/1/01
SCALE: As Noted
SHEET NO: 02.15341.02
CLYDWGNO: 63037
44 OF 106
SHT NO: A10.1

OWNER: CITY OF LAS VEGAS, NEVADA
DEPARTMENT OF PUBLIC WORKS
ARCHITECTURAL SERVICES

400 EAST STEWART AVENUE
LAS VEGAS, NEVADA 89101
PHONE: (702) 229-6535
FAX: (702) 382-3232
TDD: (702) 386-9108

DRAWN: EP5
FILE: 1644-A10-1
DATE: 7/1/01
SCALE: As Noted
SHEET NO: 02.15341.02
CLYDWGNO: 63037
44 OF 106
SHT NO: A10.1

OWNER: CITY OF LAS VEGAS, NEVADA
DEPARTMENT OF PUBLIC WORKS
ARCHITECTURAL SERVICES

400 EAST STEWART AVENUE
LAS VEGAS, NEVADA 89101
PHONE: (702) 229-6535
FAX: (702) 382-3232
TDD: (702) 386-9108

DRAWN: EP5
FILE: 1644-A10-1
DATE: 7/1/01
SCALE: As Noted
SHEET NO: 02.15341.02
CLYDWGNO: 63037
44 OF 106
SHT NO: A10.1

OWNER: CITY OF LAS VEGAS, NEVADA
DEPARTMENT OF PUBLIC WORKS
ARCHITECTURAL SERVICES

400 EAST STEWART AVENUE
LAS VEGAS, NEVADA 89101
PHONE: (702) 229-6535
FAX: (702) 382-3232
TDD: (702) 386-9108

DRAWN: EP5
FILE: 1644-A10-1
DATE: 7/1/01
SCALE: As Noted
SHEET NO: 02.15341.02
CLYDWGNO: 63037
44 OF 106
SHT NO: A10.1

OWNER: CITY OF LAS VEGAS, NEVADA
DEPARTMENT OF PUBLIC WORKS
ARCHITECTURAL SERVICES

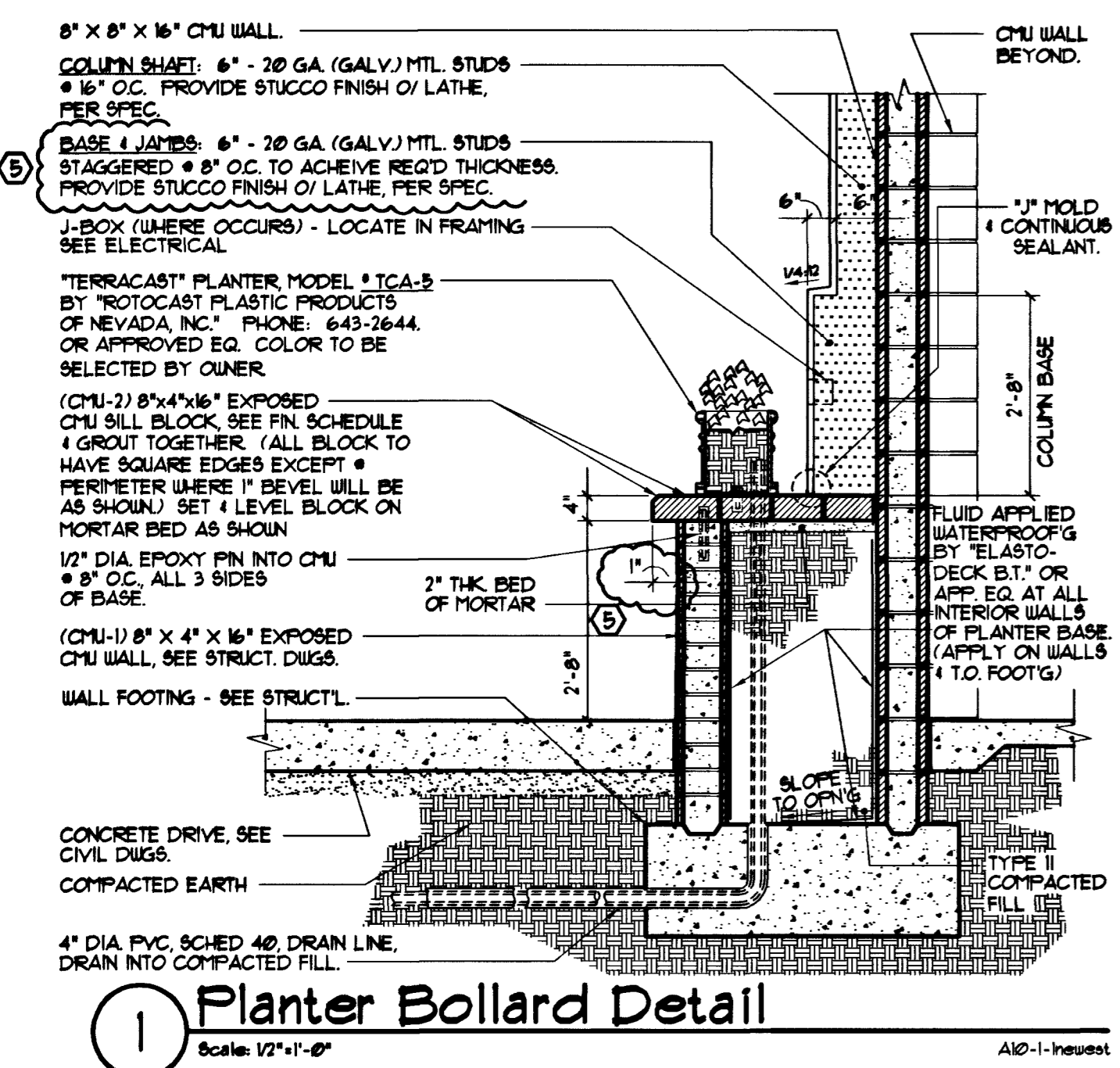
400 EAST STEWART AVENUE
LAS VEGAS, NEVADA 89101
PHONE: (702) 229-6535
FAX: (702) 382-3232
TDD: (702) 386-9108

DRAWN: EP5
FILE: 1644-A10-1
DATE: 7/1/01
SCALE: As Noted
SHEET NO: 02.15341.02
CLYDWGNO: 63037
44 OF 106
SHT NO: A10.1

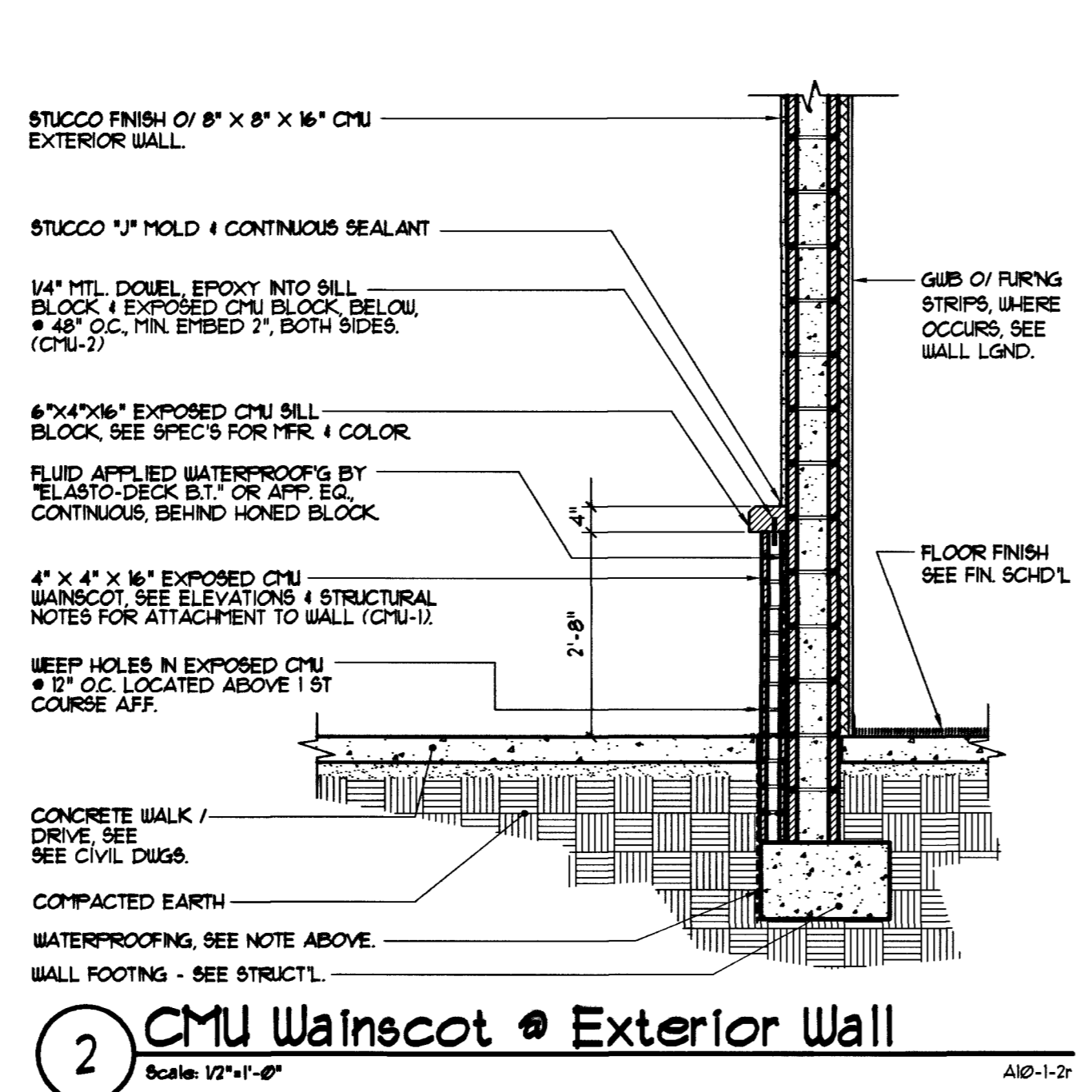
OWNER: CITY OF LAS VEGAS, NEVADA
DEPARTMENT OF PUBLIC WORKS
ARCHITECTURAL SERVICES

400 EAST STEWART AVENUE
LAS VEGAS, NEVADA 89101
PHONE: (702) 229-6535
FAX: (702) 382-3232
TDD: (702) 386-9108

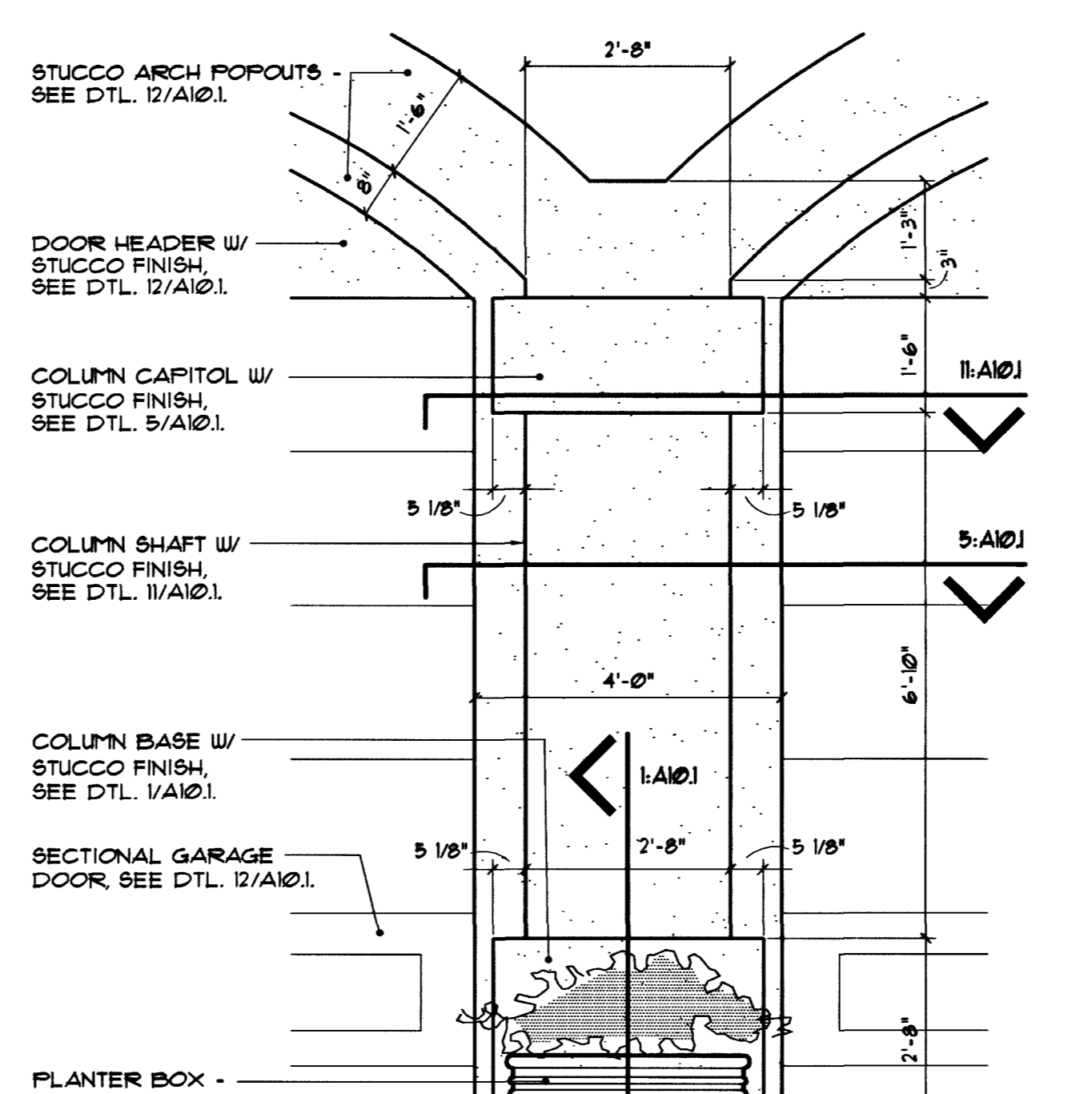
DRAWN: EP5
FILE: 1644-A10-1
DATE: 7/1/01
SCALE: As Noted
SHEET NO: 02.15341.02
CLYDWGNO: 63037
44 OF 106
SHT NO: A10.1



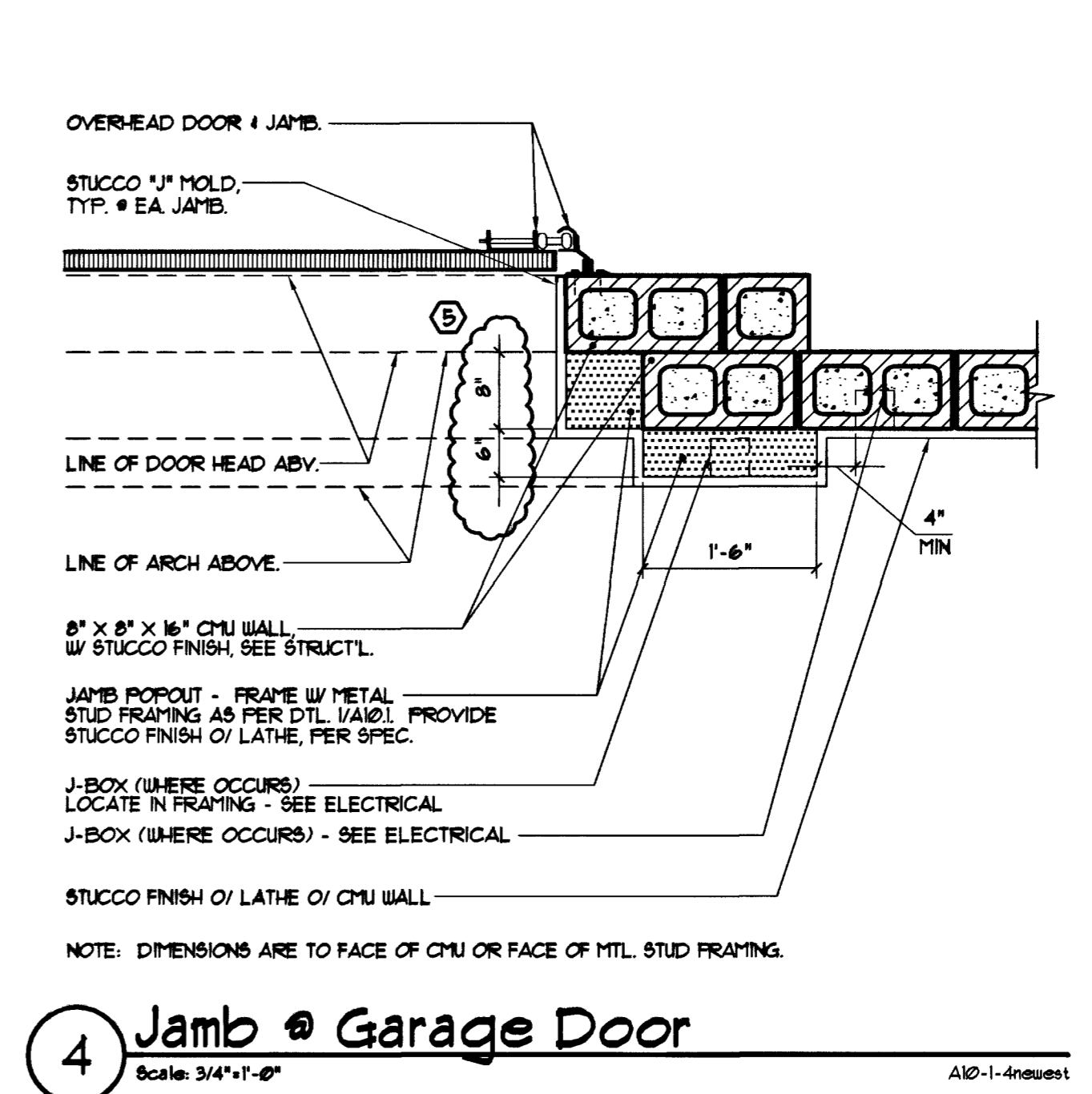
1 Planter Bollard Detail
Scale: 1/2\"/>



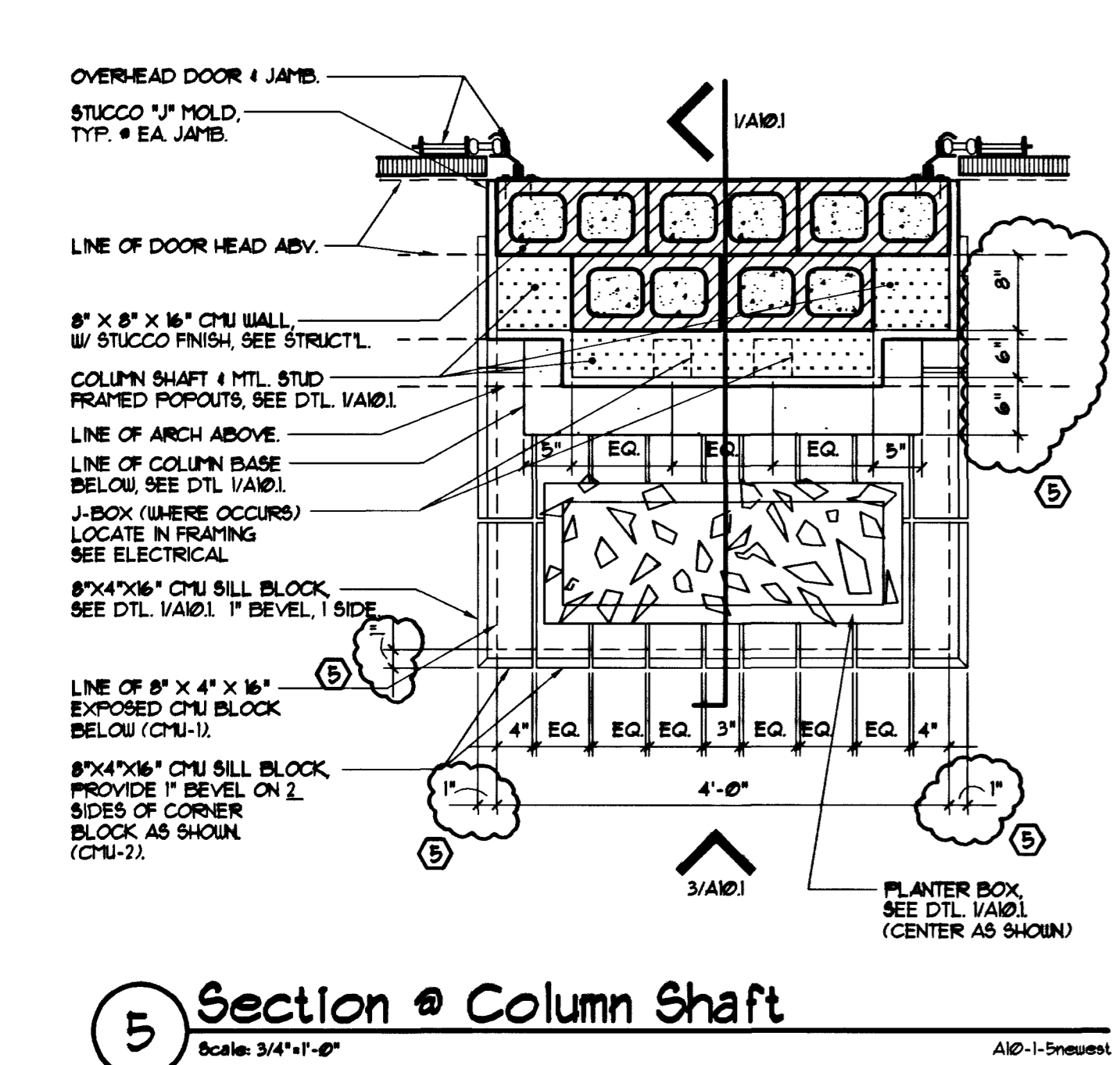
2 CMU Wainscot @ Exterior Wall
Scale: 1/2\"/>



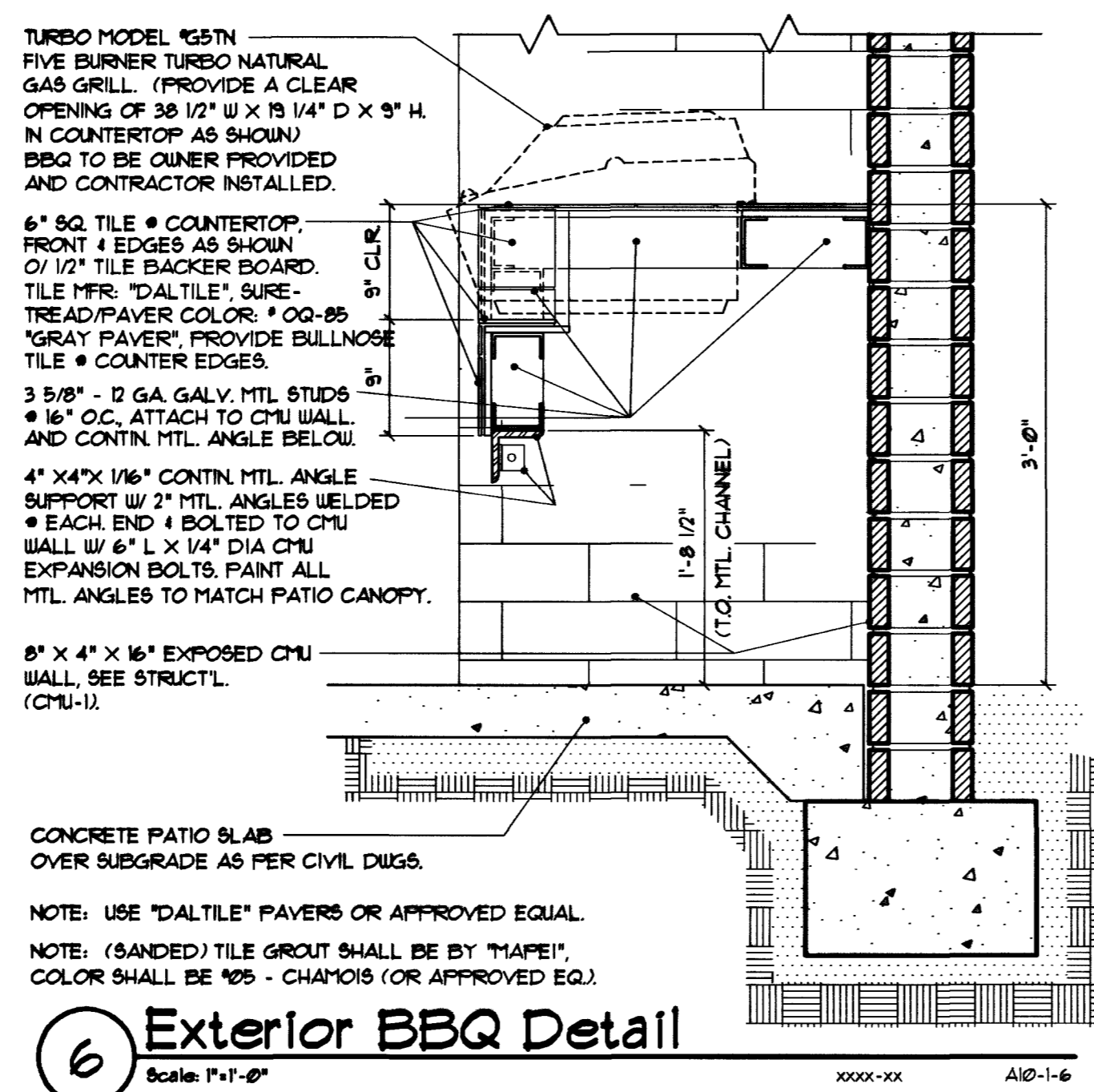
3 Stucco Column Elevation
Scale: 1/2\"/>



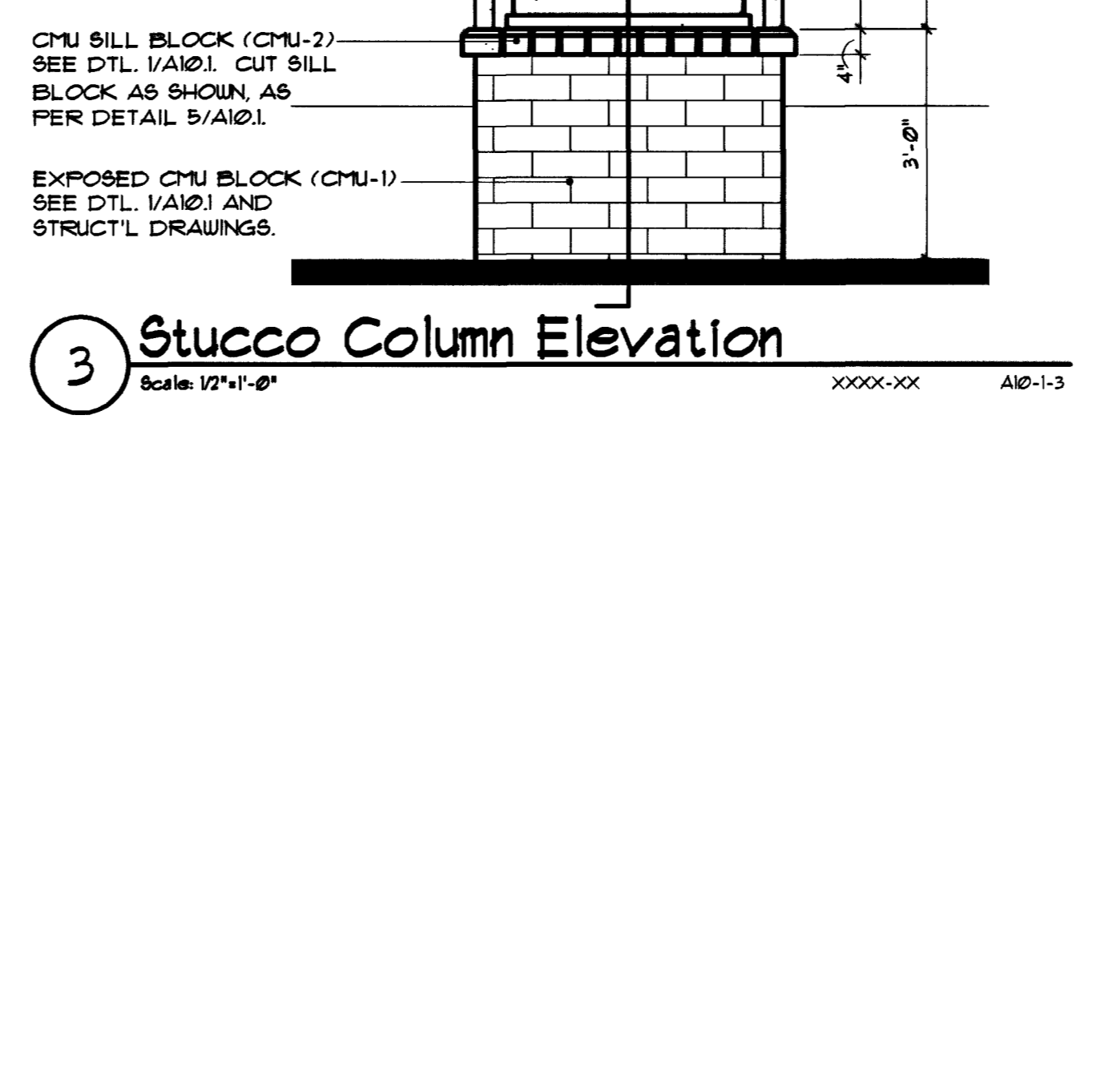
4 Jamb @ Garage Door
Scale: 3/4\"/>



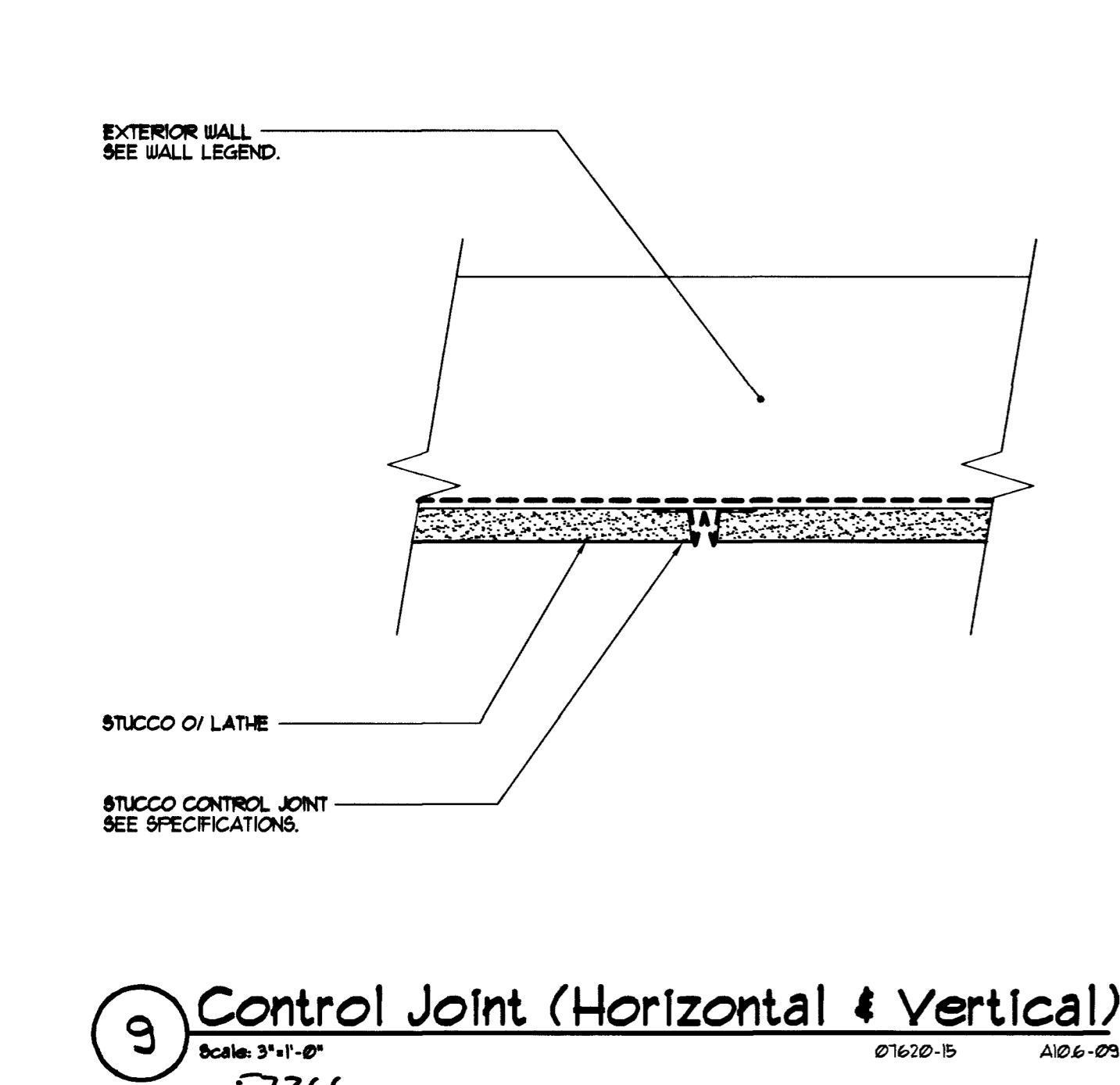
5 Section @ Column Shaft
Scale: 3/4\"/>



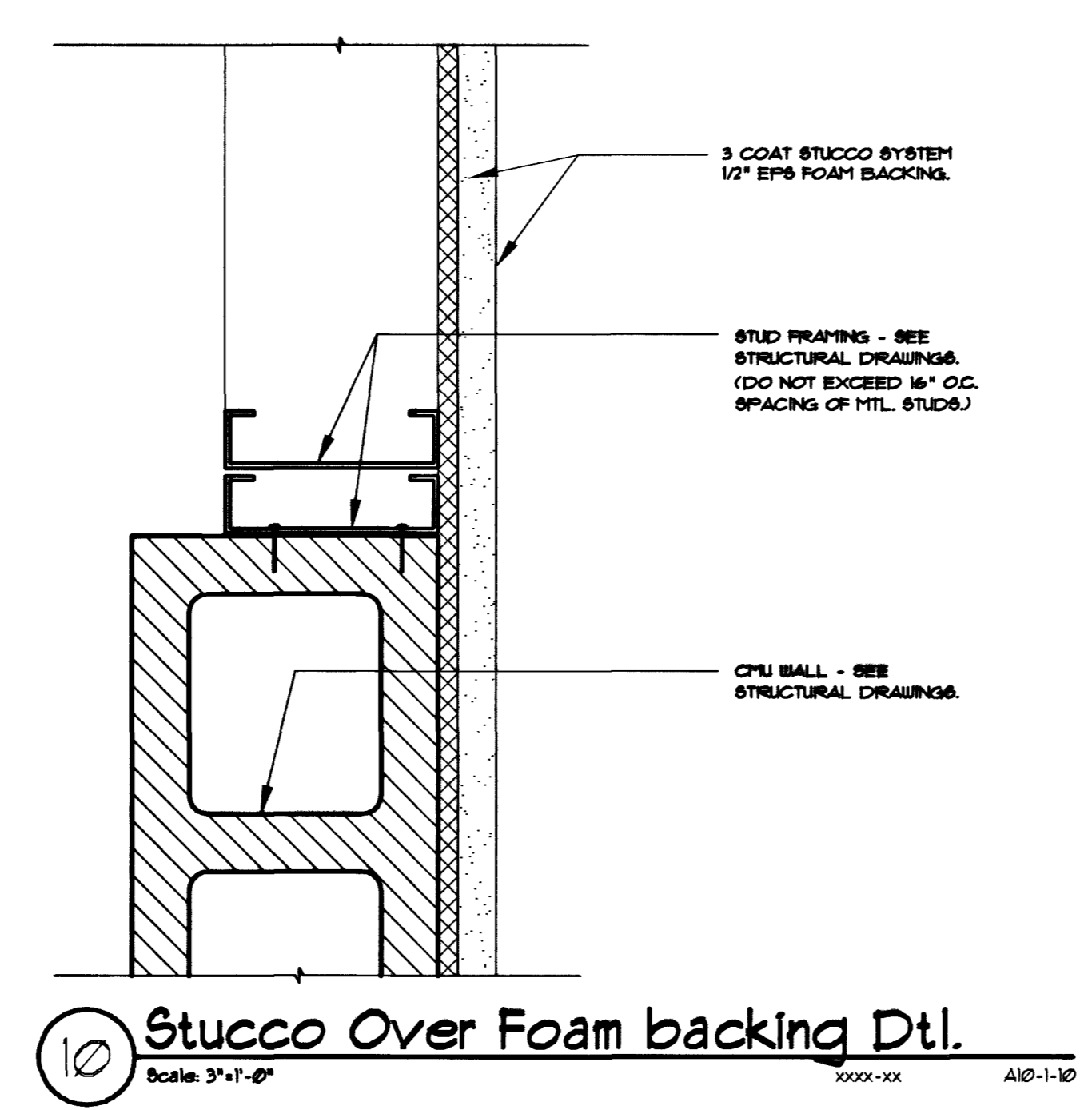
6 Exterior BBQ Detail
Scale: 1\"/>



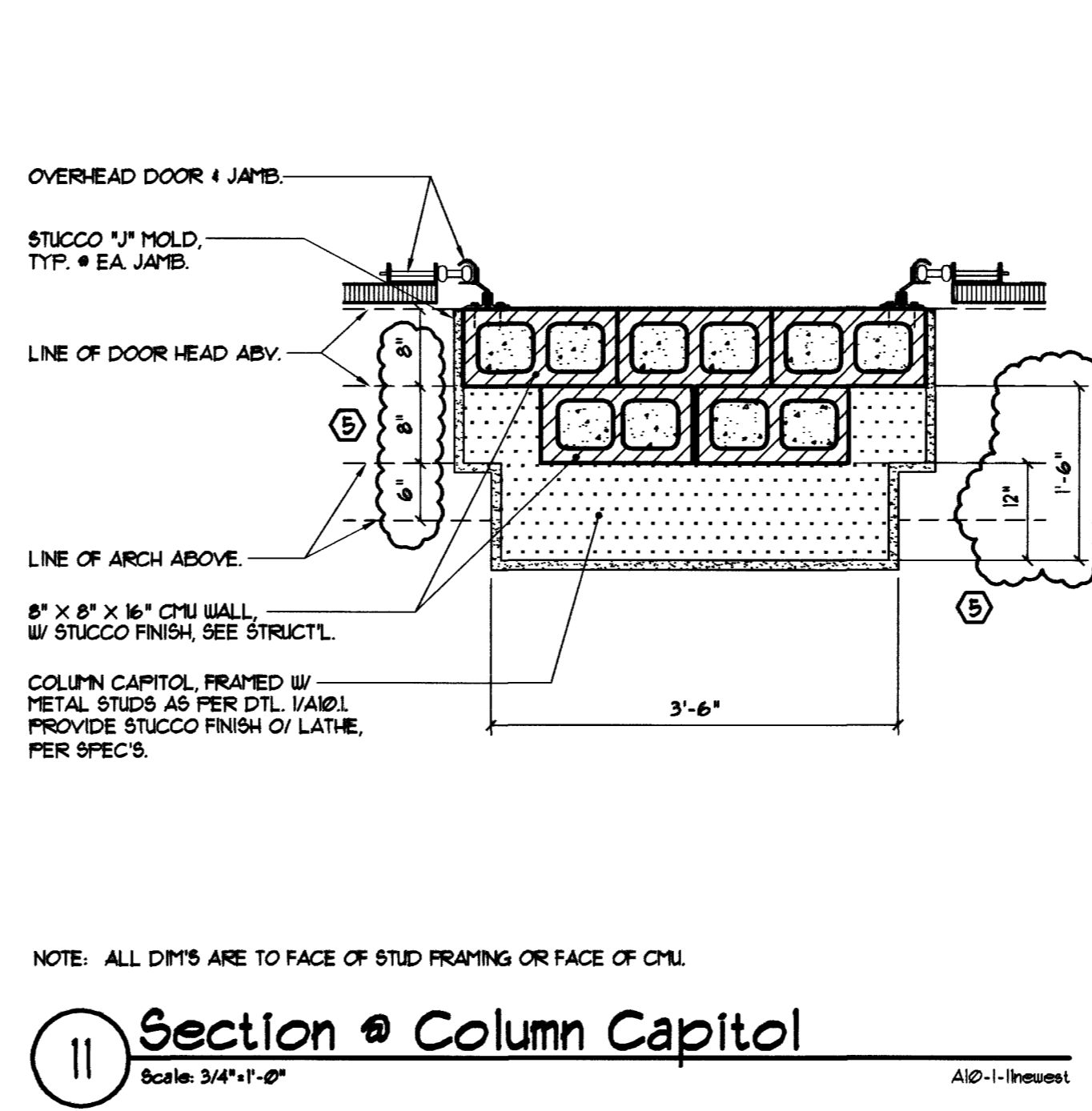
7 Arched Popout @ Entrance Wall
Scale: 1\"/>



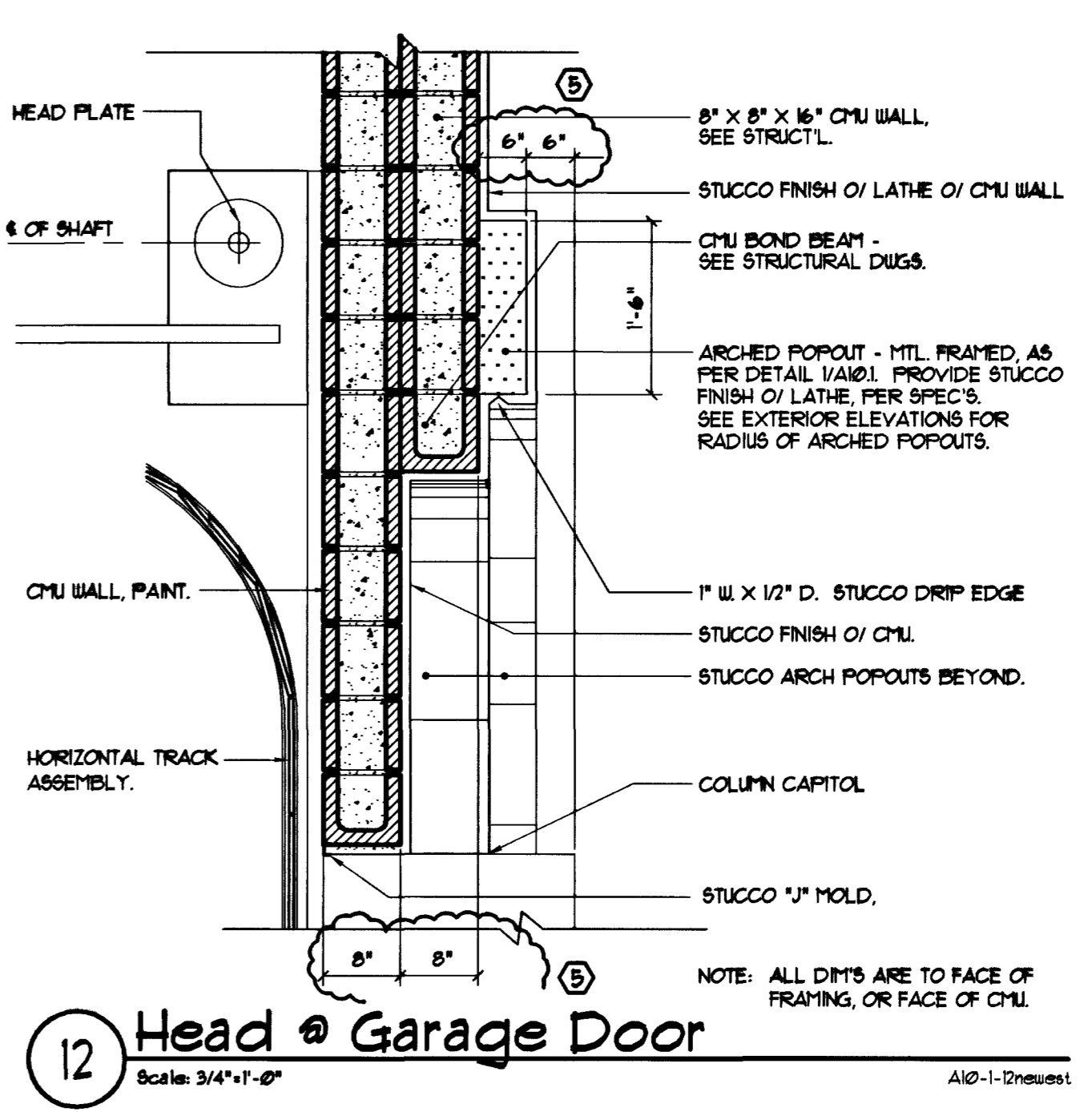
9 Control Joint (Horizontal & Vertical)
Scale: 3\"/>



10 Stucco Over Foam backing Dtl.
Scale: 3\"/>



11 Section @ Column Capitol
Scale: 3/4\"/>



12 Head @ Garage Door
Scale: 3/4\"/>

RECORD DRAWING
DEPARTMENT OF PUBLIC WORKS
CITY OF LAS VEGAS, NEVADA
FIRE STATION #44
Details