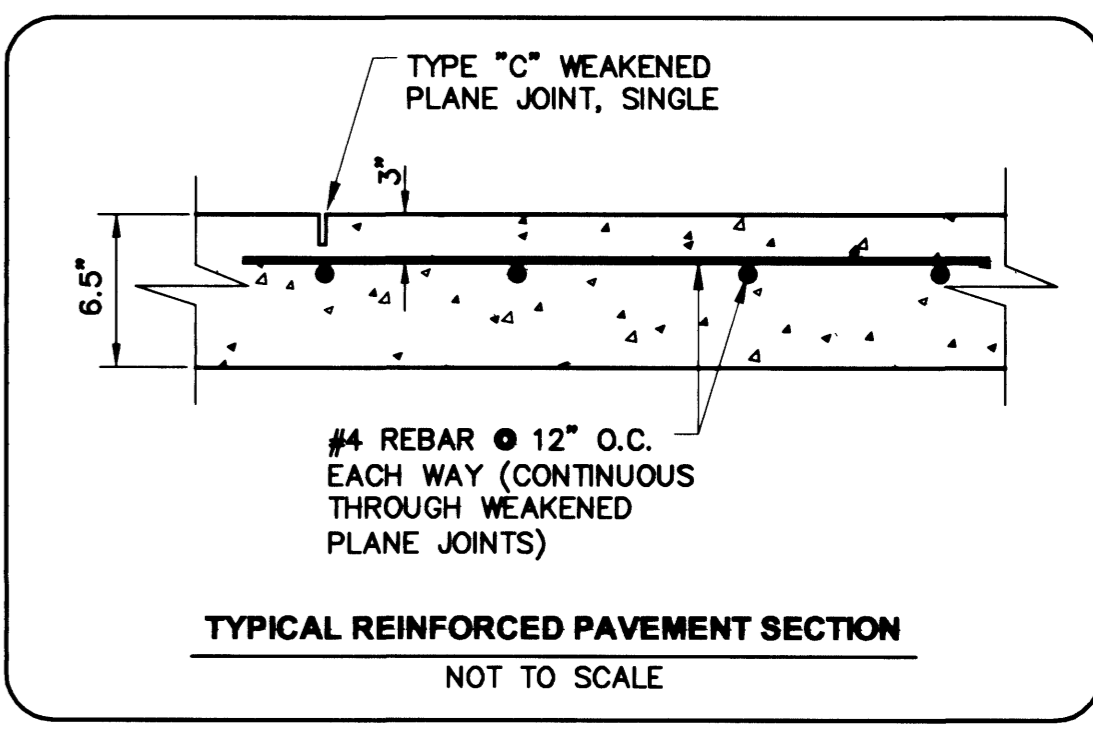
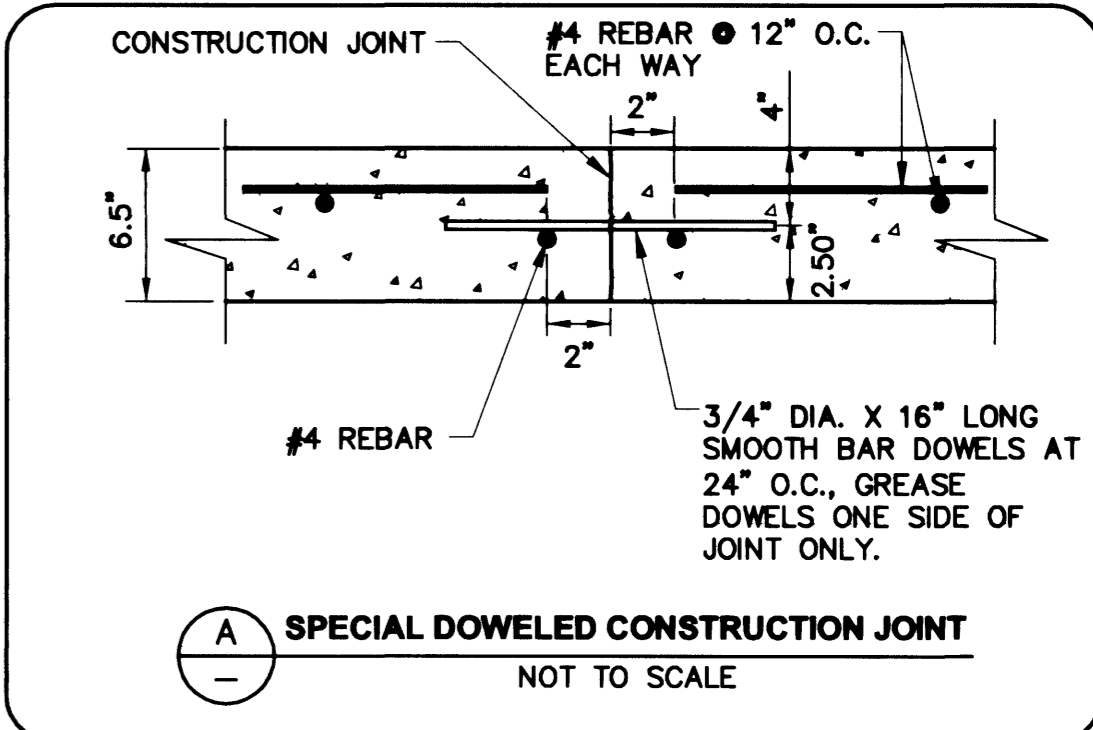


- CONSTRUCTION NOTES**
- INSTALL 1/2" EXPANSION JOINT FILLER FOR DEPTH OF JOINT PER USD NO. 234 (SEE SHEET C-14).
  - - - - - INSTALL TYPE "B" CONSTRUCTION JOINT PER USD NO. 232 & 233 (SEE SHEET C-14).
  - INSTALL TYPE "C" WEAKENED PLANE JOINT, SINGLE SAWCUT PER USD NO. 233 (SEE SHEET C-14).
  - - - - - INSTALL TYPE "D" TIED CONSTRUCTION JOINT PER USD NO. 233 (SEE SHEET C-14).
  - THICKENED SLAB PER USD NO. 232 WITH 3/4" PREMOLDED EXPANSION JOINT FILLER AT BUILDING FOUNDATION SLAB PER USD NO. 233 (SEE SHEET C-14).
  - +++++ SPECIAL DOWELED CONSTRUCTION JOINT PER DETAIL A, THIS SHEET.



Avoid hitting underground utility lines. It's costly.

**Call before you Dig.**

1-800-227-2600

UNDERGROUND SERVICE (USA)

Avoid hitting overhead power lines. It's costly.

**CALL BEFORE YOU DIG OVERHEAD**

1-702-593-6111

PROJ NO:	AZ01002
DESIGN:	RAC/LG
DATE:	09/26/01
SCALE:	AS SHOWN
FILE:	FS44_18

PROFESSIONAL ENGINEER - STATE OF NEVADA

ALVIN E. REYNOLDS, INC.

No. 9029

STAMP DATE: 9-26-01

3320 N. Buffalo Dr. # 106, Las Vegas, NV 89129  
Tel: (702) 396-3426 Fax: (702) 396-3758  
Email: aztec@azteceing.com

**AZTEC ENGINEERING**

CITY OF LAS VEGAS  
FIRE STATION NO. 44

JOINING PLAN

SHEET  
**C-18**  
18 OF 20 SHEETS  
CLV DRAWING NO.  
**630.97**

34843

P:\AZ01002\aztec\44\_18.dwg, 09/26/01 04:14:53 PM, Luper-Gilks