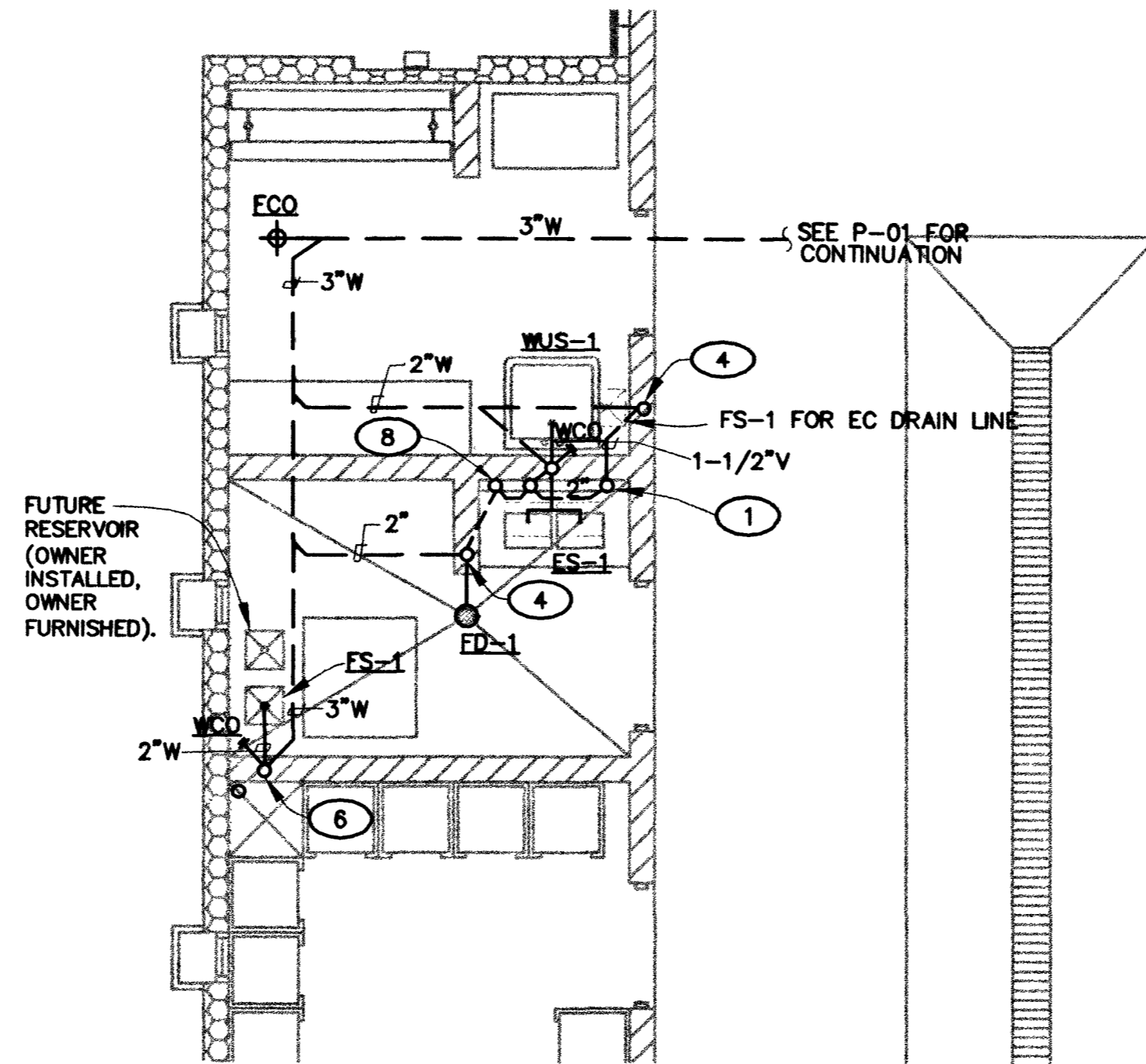
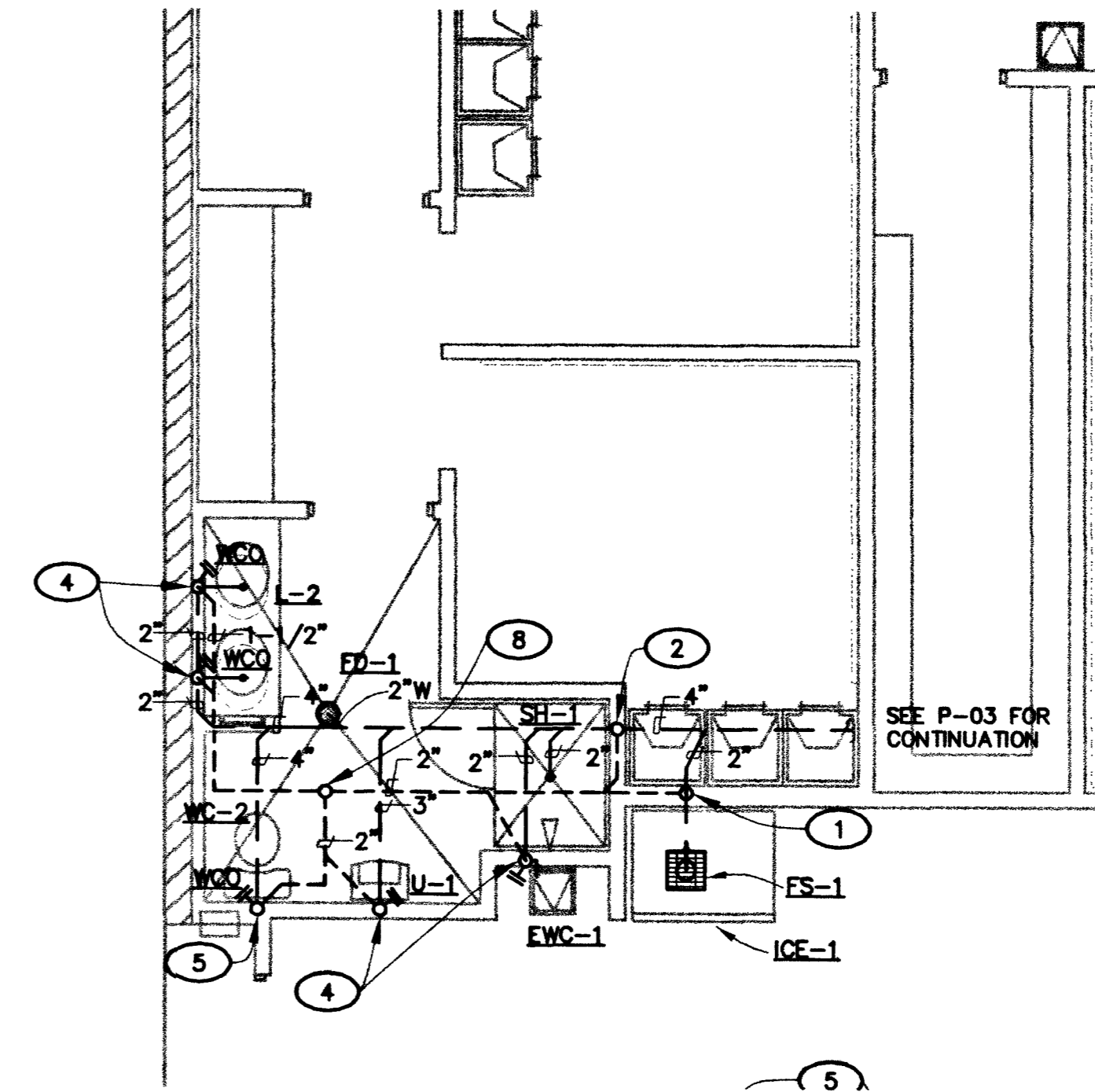


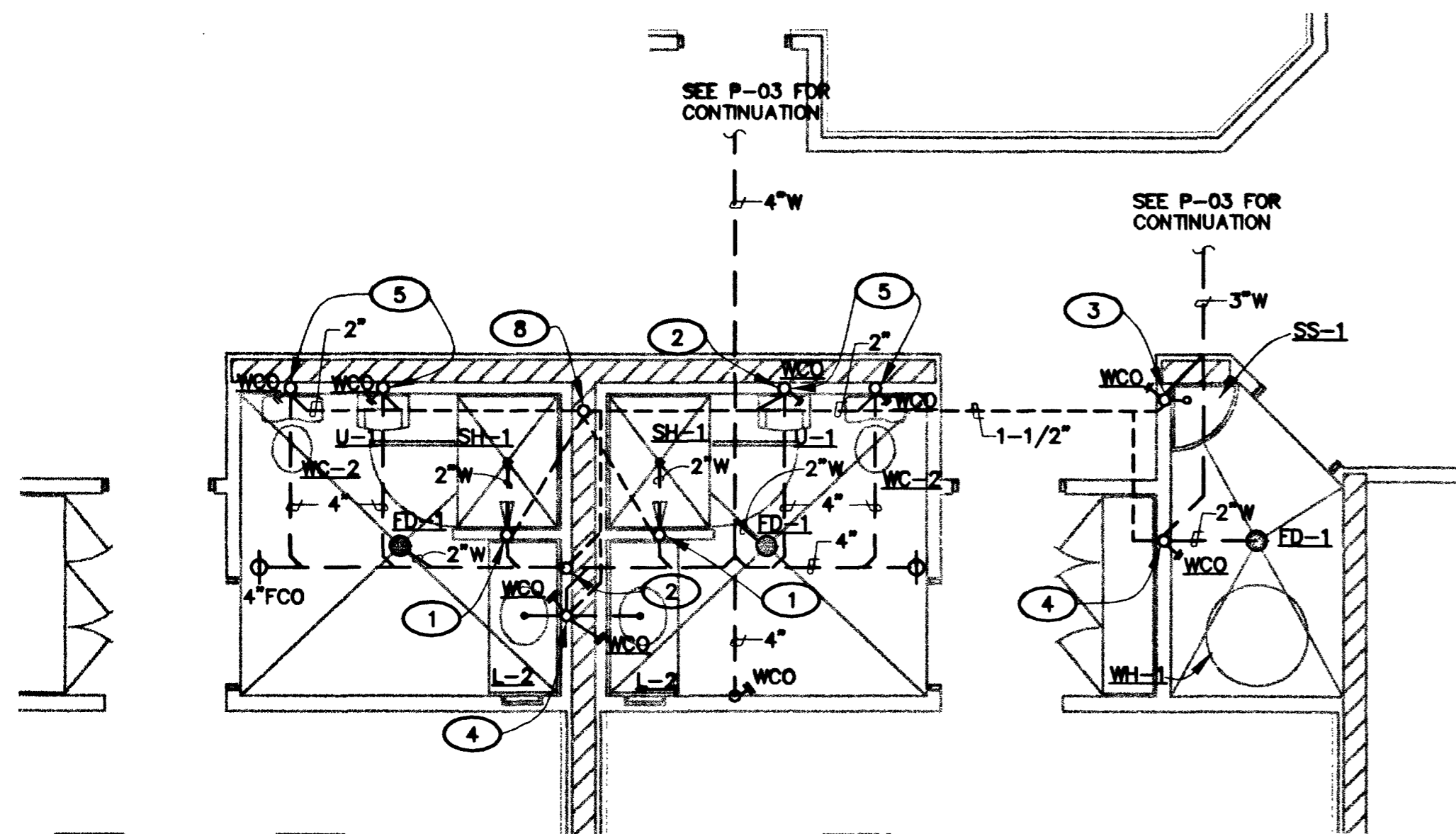
1 RESTROOM - DRAIN, WASTE, AND VENT
P-05 1/4" - 1'-0"



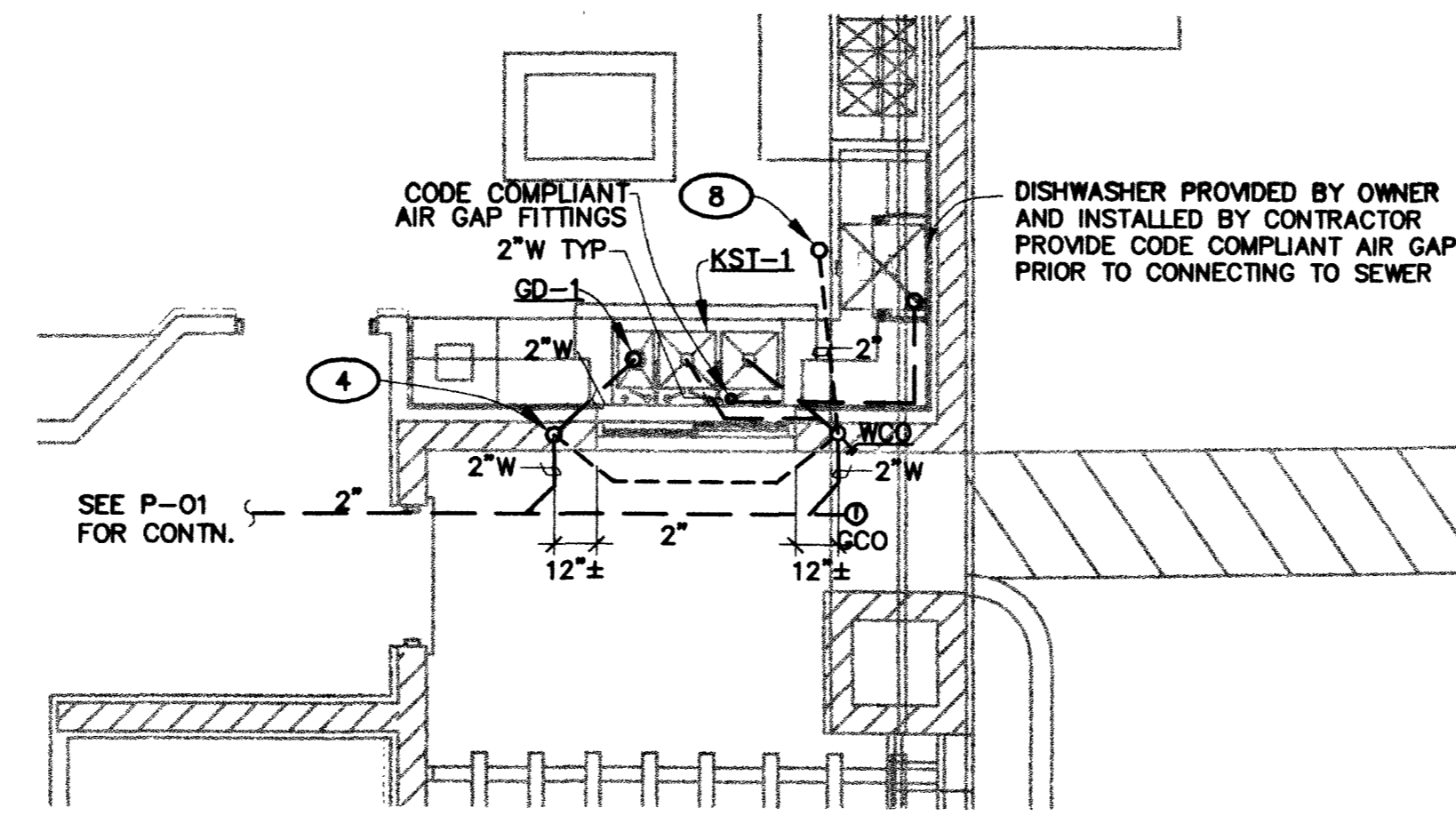
2 CLEAN ROOM - DRAIN, WASTE, AND VENT
P-05 1/4" - 1'-0"



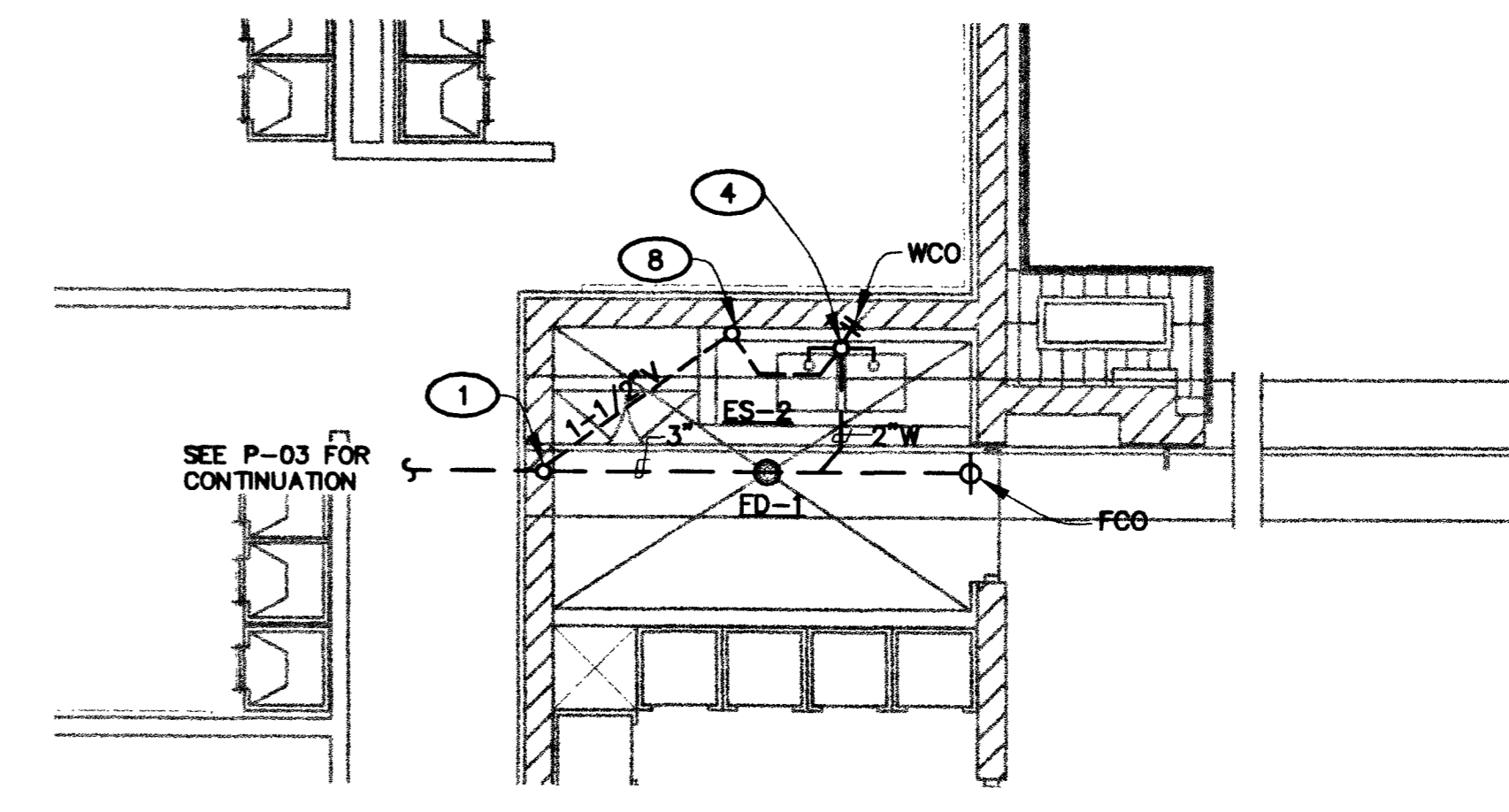
3 CAPTAIN'S BATHROOM - DRAIN, WASTE, AND VENT
P-05 1/4" - 1'-0"



4 RESTROOM - DRAIN, WASTE, AND VENT
P-05 1/4" - 1'-0"



5 KITCHEN - DRAIN, WASTE, AND VENT
P-05 1/4" - 1'-0"



6 RESCUE CLEAN ROOM - DRAIN, WASTE, AND VENT
P-05 1/4" - 1'-0"

KEYED NOTES

- ① 1-1/2" VENT UP.
- ② 2" VENT UP.
- ③ 3" WASTE DOWN & 1-1/2" VENT UP.
- ④ 2" WASTE DOWN & 1-1/2" VENT UP.
- ⑤ 4" WASTE DOWN & 2" VENT UP.
- ⑥ 2" WASTE DOWN, 1-1/2" VENT UP, & 1-1/2" VENT THRU ROOF.
- ⑦ 4" WASTE DOWN, 2" VENT UP, & 2" VENT THRU ROOF.
- ⑧ 2" VENT THRU ROOF.

56815



DEC INC.
2800 S.G. RANCHO RD.
LAS VEGAS, NEVADA 89102
(702) 871-6164

CITY OF LAS VEGAS, NEVADA
FIRE STATION #43
PLUMBING DRAIN, WASTE, AND VENTILATION

DEPARTMENT OF PUBLIC WORKS
ARCHITECTURAL SERVICES
400 EAST STEWART AVENUE
LAS VEGAS, NEVADA 89101
PHONE: (702) 228-8888
FAX: (702) 382-5238
TDD: (702) 386-9108

DESIGN ENGINEER CONSULTANT

DATE	6/1/00
SCALE	AS SHOWN
SHEET NO.	89 OF 108
PROJECT NO.	P-05