

Call before you Underground
1-702-455-7511

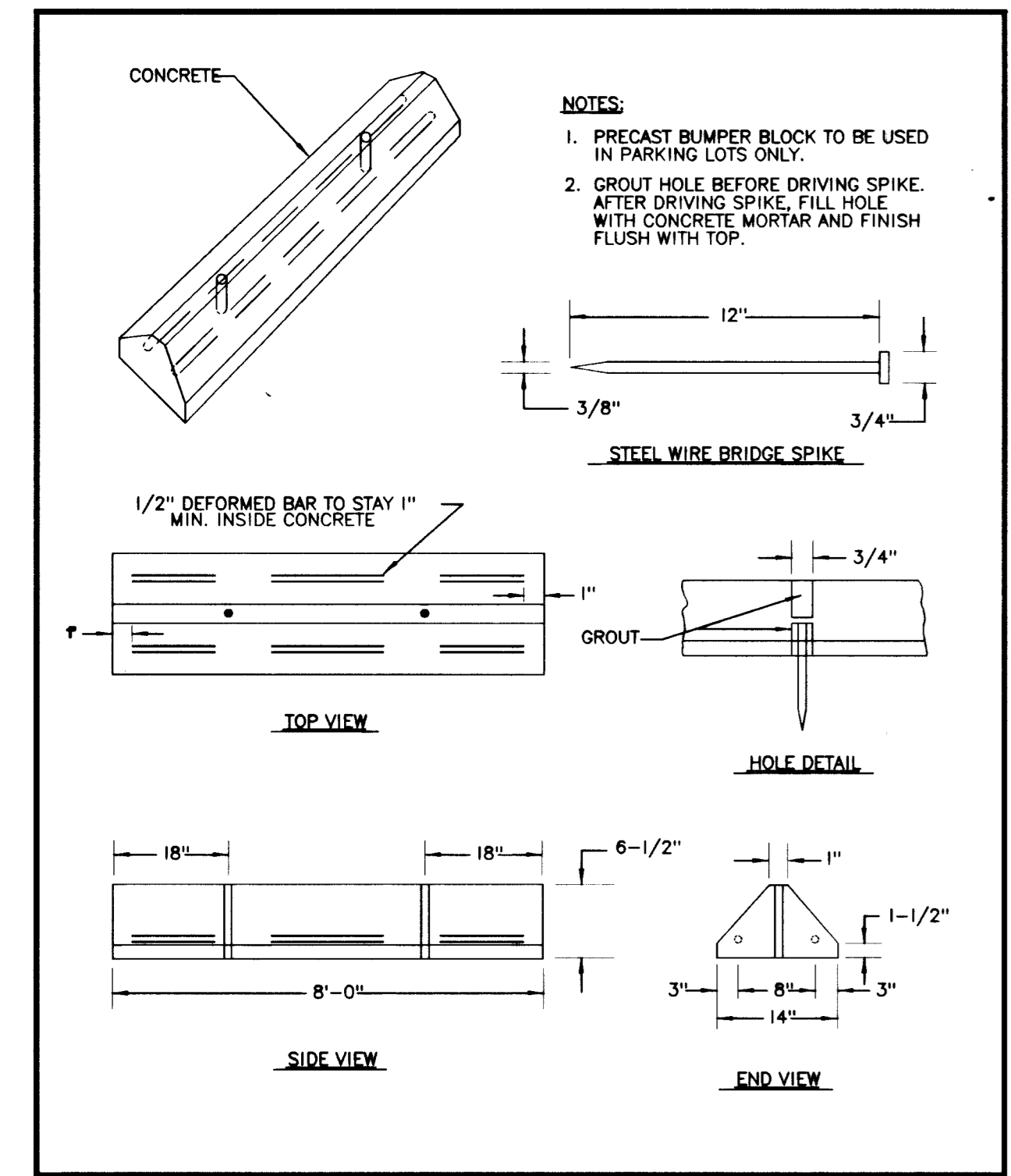
Call before you Overhead
1-702-227-2929

Call before you Dig
1-800-227-2600

- ABBREVIATIONS**
- FL FINISH GRADE
 - FC FLOW LINE
 - TRC TOP OF CURB
 - EP EDGE OF PAVEMENT
 - FUT. FUTURE
 - EXIST. EXISTING
 - VG VALLEY GUTTER
 - NG NATURAL GROUND
 - H.P. HIGH POINT
 - L.P. LOW POINT
 - C/C CENTER LINE
 - O/C OFFSET CROWN
 - BC BACK OF CURB
 - BCR BEGIN CURB RETURN
 - TF TOP OF FOOTING
 - GB GRADE BREAK
 - PC POINT OF CURVATURE
 - S/W SIDEWALK
 - PT POINT OF TANGENCY
 - PRC POINT OF REVERSE CURVATURE
 - PCC POINT OF COMPOUND CURVATURE
 - BVC BEGIN VERTICAL CURVE
 - MVC MID-POINT OF VERTICAL CURVE
 - EVC END VERTICAL CURVE
 - PRVC POINT OF REVERSE VERTICAL CURVE
 - VPI VERTICAL POINT OF INTERSECTION
 - TP TOP OF PLANTER WALL
 - TOP TOP OF CHANNEL/SCARP
 - TOE TOE OF CHANNEL/SCARP
 - TOB TOP OF BOX
 - PP POWER POLE
 - TR TRANSITION
 - RET. RETAINMENT
 - INT. INTERSECTION
 - D.S. DESIGN GRADE
 - T.S.W. TOP OF SIDEWALK
 - TW TOP OF WALL

BASIS OF BEARINGS
THE BASIS OF BEARINGS FOR THIS PROJECT IS NORTH 27°54'38" EAST - THE CENTERLINE OF LAS VEGAS BOULEVARD FROM STATION "B" 1077+00.00 POT TO STATION "B" 1155+93.84 POT (AND FREMONT AVENUE) BEARS NORTH 27°54'38" EAST PER NEVADA DEPARTMENT OF HIGHWAY DRAWINGS, PROJECT NUMBER 1006-1(3), AS SHOWN BY THAT RECORD OF SURVEY ON FILE IN THE OFFICE OF THE COUNTY RECORDER, CLARK COUNTY, NEVADA, IN FILE 67 OF SURVEYS, AT PAGE 78.

PROJECT BENCHMARK
PROJECT DATUM: CITY OF LAS VEGAS BENCH MARK NO. CLVBM FREMONT 5 - RIVET AND PLATE IN THE TOP OF CURB AT THE NORTHEAST RETURN OF FREMONT AND LAS VEGAS BOULEVARD.
NAVD88 ELEVATION: 2007.32 METERS (6586.70 FEET)



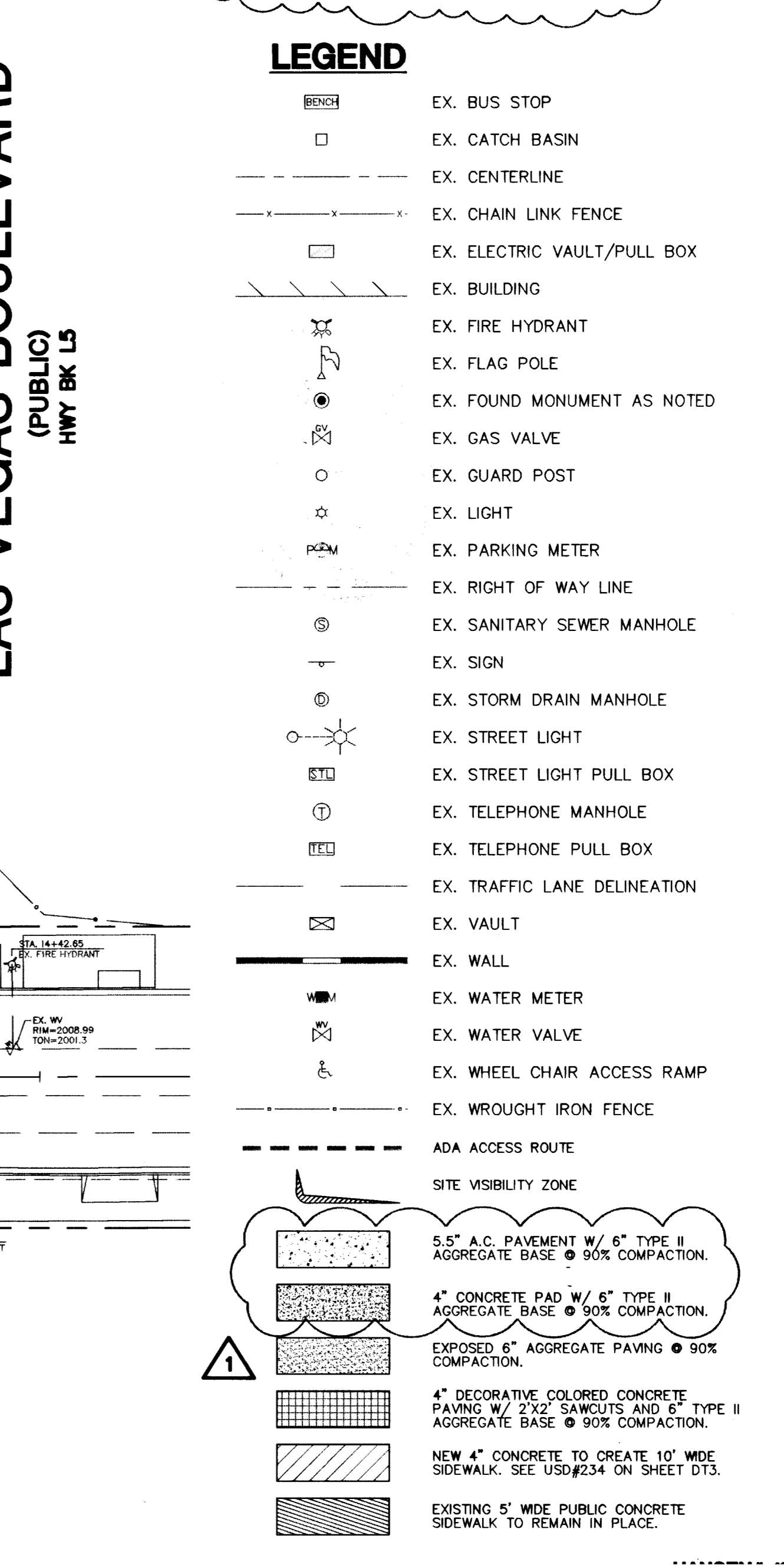
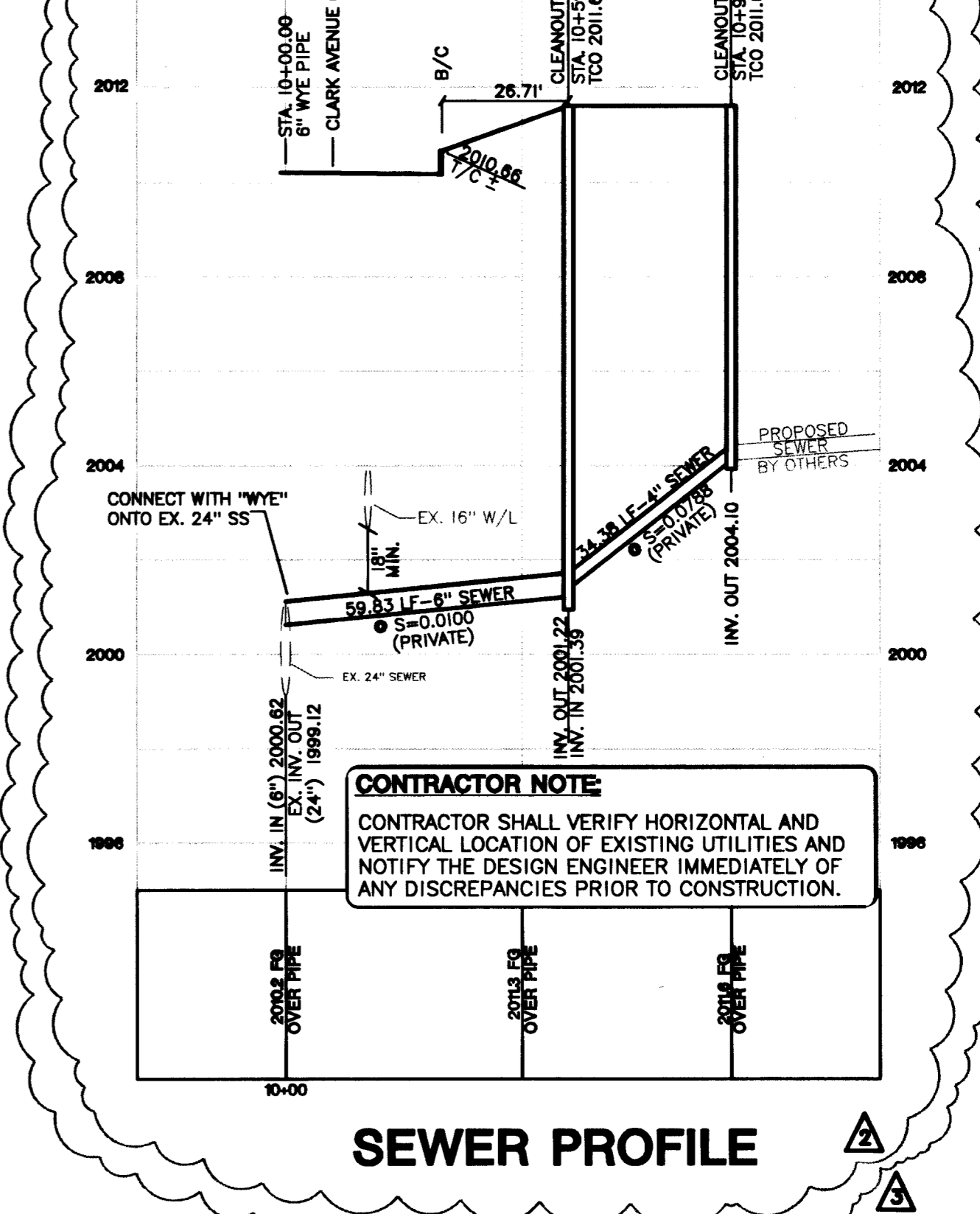
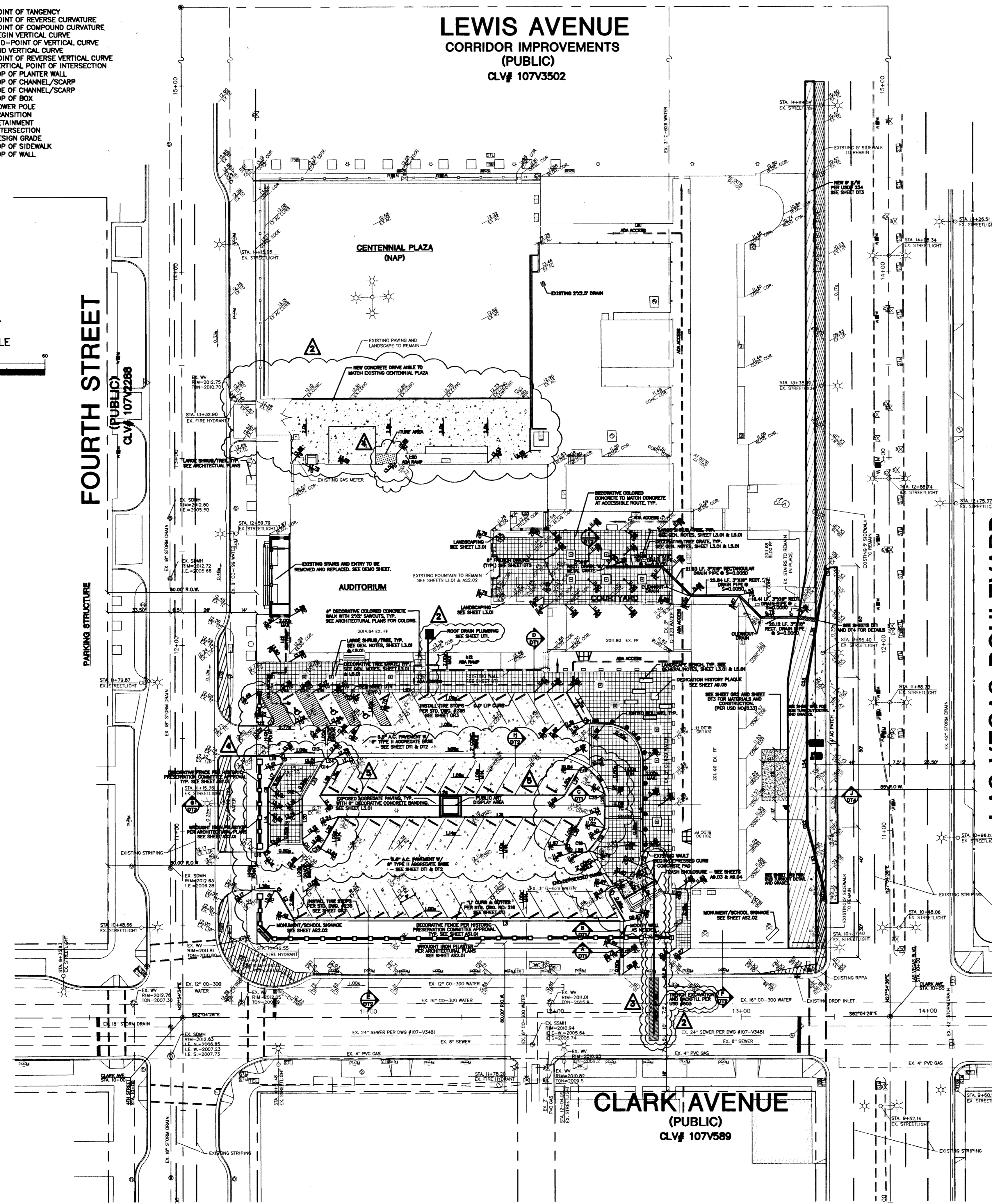
TYPICAL PARKING STOP DETAIL
USD# 238

LINE TABLE

LINE	LENGTH	BEARING
L1	12.10	S 61°24'04"E
L2	17.67	S 31°36'08"E
L3	188.22	S 61°36'08"E
L4	15.94	N 61°36'08"E
L5	48.24	N 61°36'08"E
L6	9.53	N 61°36'08"E
L7	17.90	N 61°36'08"E
L8	165.70	N 61°36'08"E
L9	16.23	S 31°36'08"E
L10	9.48	N 61°36'08"E
L11	19.20	N 61°36'08"E
L12	30.78	N 61°36'08"E
L13	5.90	N 61°36'08"E
L14	8.08	S 61°36'08"E
L15	14.28	N 61°36'08"E
L16	14.25	S 61°36'08"E
L17	21.33	N 61°36'08"E
L18	6.44	N 61°36'08"E
L19	1.98	N 61°36'08"E
L20	21.04	N 61°36'08"E
L21	2.99	N 61°36'08"E
L22	18.47	S 61°36'08"E
L23	13.87	S 61°36'08"E
L24	15.99	N 61°36'08"E
L25	16.43	S 61°36'08"E
L26	7.50	N 61°36'08"E
L27	17.50	N 61°36'08"E
L28	13.25	S 61°36'08"E
L29	19.84	N 61°36'08"E
L30	36.21	N 61°36'08"E
L31	71.81	N 61°36'08"E
L32	57.40	N 61°36'08"E
L33	7.32	N 61°36'08"E

CURVE TABLE

CURVE	LENGTH	RADIUS	TANGENT DELTA
C1	3.10	3.00	1.70 53°06'54"
C2	4.69	2.50	3.40 107°24'01"
C3	19.94	20.50	10.84 55°43'13"
C4	7.76	20.50	3.93 21°40'48"
C5	32.20	20.50	20.50 90°00'00"
C6	2.62	2.50	1.44 59°59'59"
C7	5.24	2.50	4.34 120°05'05"
C8	3.95	2.50	2.52 50°34'19"
C9	1.85	3.50	0.95 30°21'52"
C10	5.11	2.50	4.09 117°05'04"
C11	7.16	7.80	3.85 52°33'41"
C12	1.32	2.50	0.67 30°09'04"
C13	2.52	2.50	1.38 57°45'53"
C14	5.20	2.50	4.27 119°15'12"
C15	4.16	2.50	2.74 95°17'55"
C16	16.39	24.94	8.51 37°39'24"
C17	1.10	2.50	0.56 25°10'25"
C18	14.91	48.46	7.51 17°37'26"
C19	2.06	2.50	1.09 47°12'09"
C20	5.24	2.50	4.33 120°05'05"
C21	4.97	25.00	2.50 11°24'03"
C22	4.80	25.05	2.41 10°58'14"
C23	3.44	25.00	1.72 7°52'22"
C24	3.42	25.00	1.71 7°50'22"
C25	0.74	2.50	0.37 17°24'11"
C26	7.06	4.30	4.62 94°13'55"



CITY OF LAS VEGAS
400 EAST STEWART AVENUE
LAS VEGAS, NEVADA 89101
(702) 229-2535

CONSULTING ENGINEERS PLANNERS & LAND SURVEYORS
2727 SOUTH RAINBOW BOULEVARD
LAS VEGAS, NEVADA 89146-5148
PH. (702) 873-7550 FAX (702) 362-2587 WEB WWW.VTNN.COM

OVERALL GRADING FIFTH STREET SCHOOL
FIFTH STREET SCHOOL REHABILITATION BUILDING DEPARTMENT SUBMITTAL

DESIGNED BY: S.P.A.P.P.A.
CHECKED BY: [Signature]
PROJECT NO.: 8716
SCALE: 1"=30' HORIZ. 1"=30' VERT.

REVISIONS:

NO.	DATE	BY	REVISION
1	2-28-08	J.P.	REVISED CURB
2	2-28-08	J.P.	REVISED FENCE LOCATION, PARKING LOT, & ADDED TURF AREA
3	3-24-07	J.P.	REVISED SEWER
4	3-24-07	J.P.	REVISED GRADES
5	6-09-07	J.P.	ROOF DRAIN-REF. ARCHITECT REV. #1. & ADDED TRENCHING FOR
6	2/12/07	S.A.P.	DELETED THE WORDS, "PROPOSED".

PROFESSIONAL ENGINEER SEAL
LAMBORN P. LAMBO
No. 18481
CIVIL
2/24/10

SHEET GR3
5 OF 11 SHEETS
DRAWING NO. CLV# 107V3502