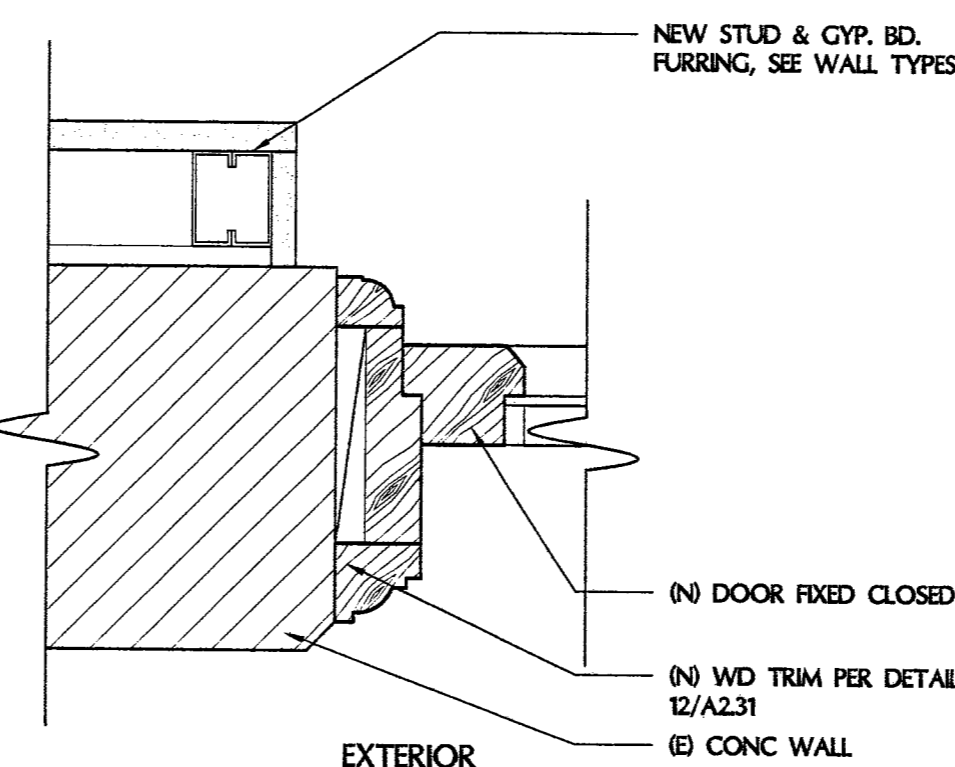
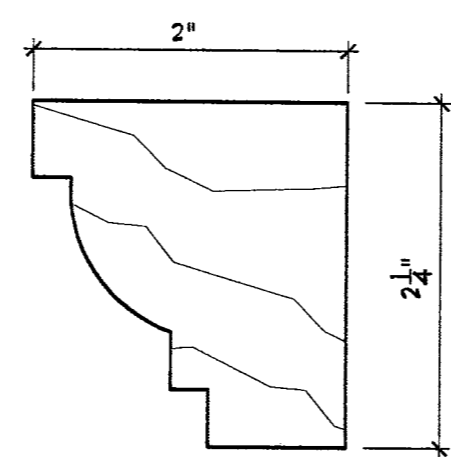


NOTE: VERIFY DIMENSIONS AND PROFILES TO MATCH EXISTING TRIM. CUSTOM CUT NEW TRIM TO MATCH.

**ENLARGED TRIM DETAIL**

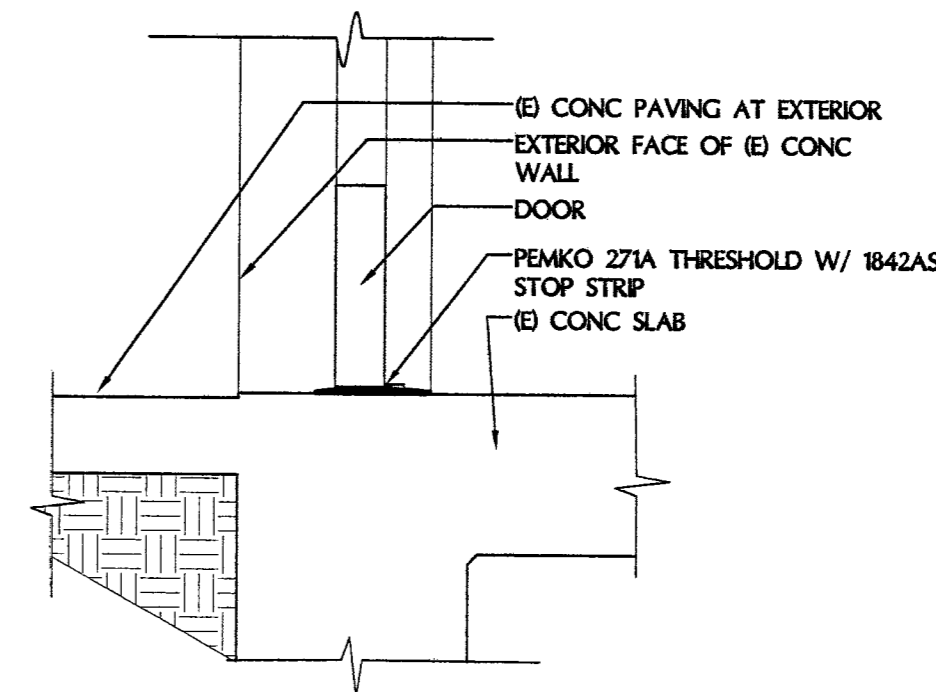
SCALE: FULL



NOTE: VERIFY DIMENSIONS AND PROFILES TO MATCH EXISTING TRIM. CUSTOM CUT NEW TRIM TO MATCH.

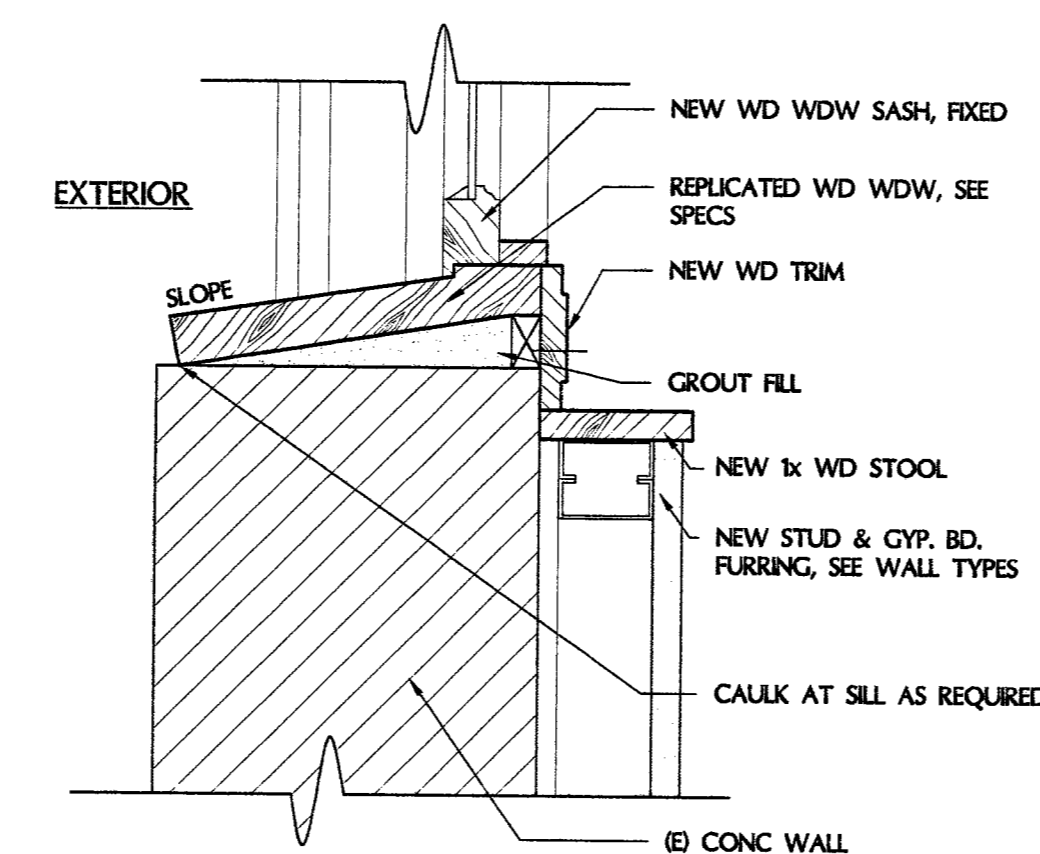
**12 FRENCH DOOR JAMB**

SCALE: 3" = 1'-0"



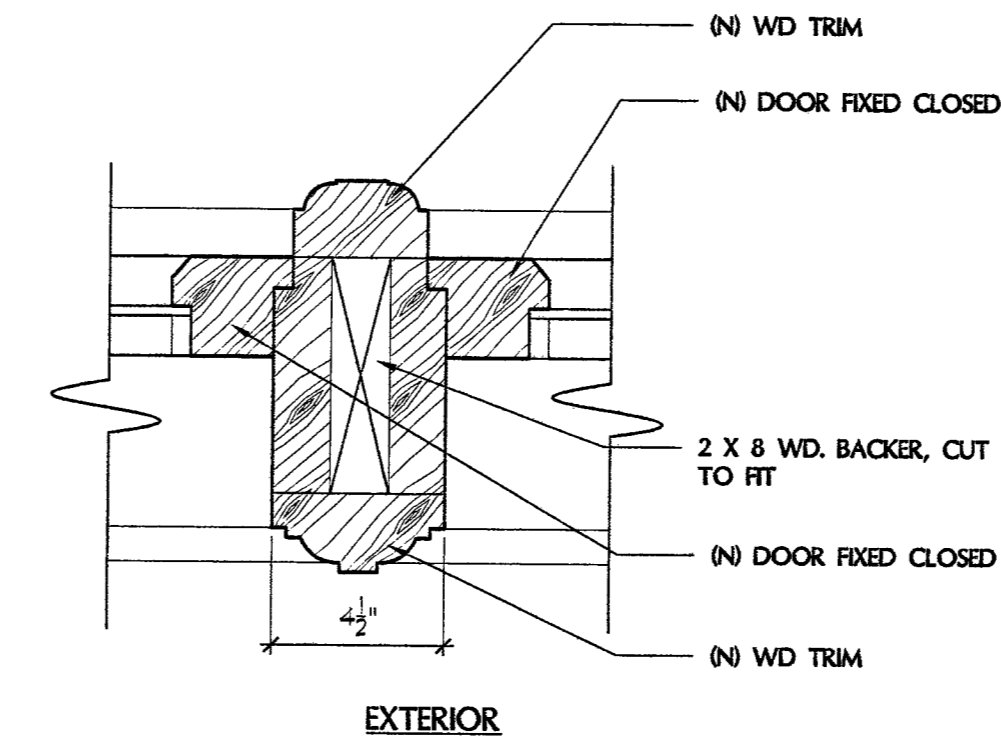
**8 FRENCH DOOR SILL**

SCALE: 1-1/2" = 1'-0"



**DOUBLE HUNG WINDOW SILL**

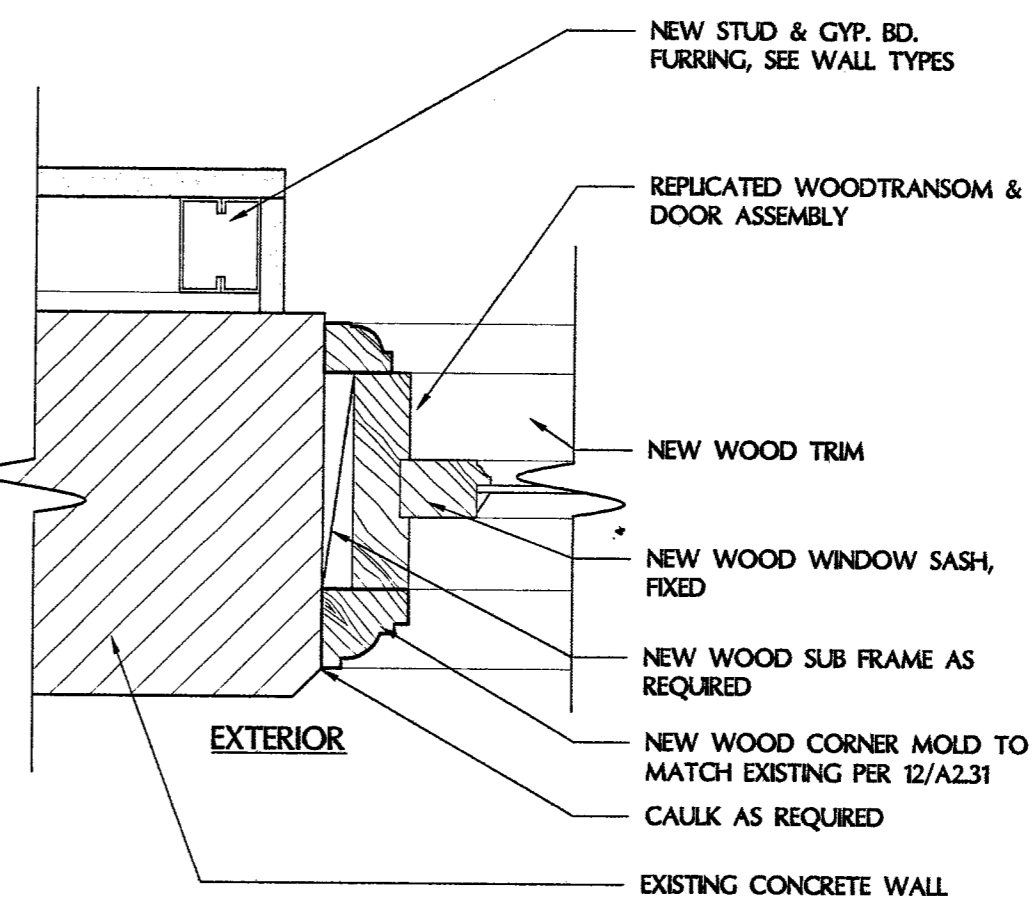
SCALE: 3" = 1'-0"



NOTE: VERIFY DIMENSIONS AND PROFILES TO MATCH EXISTING TRIM. CUSTOM CUT NEW TRIM TO MATCH.

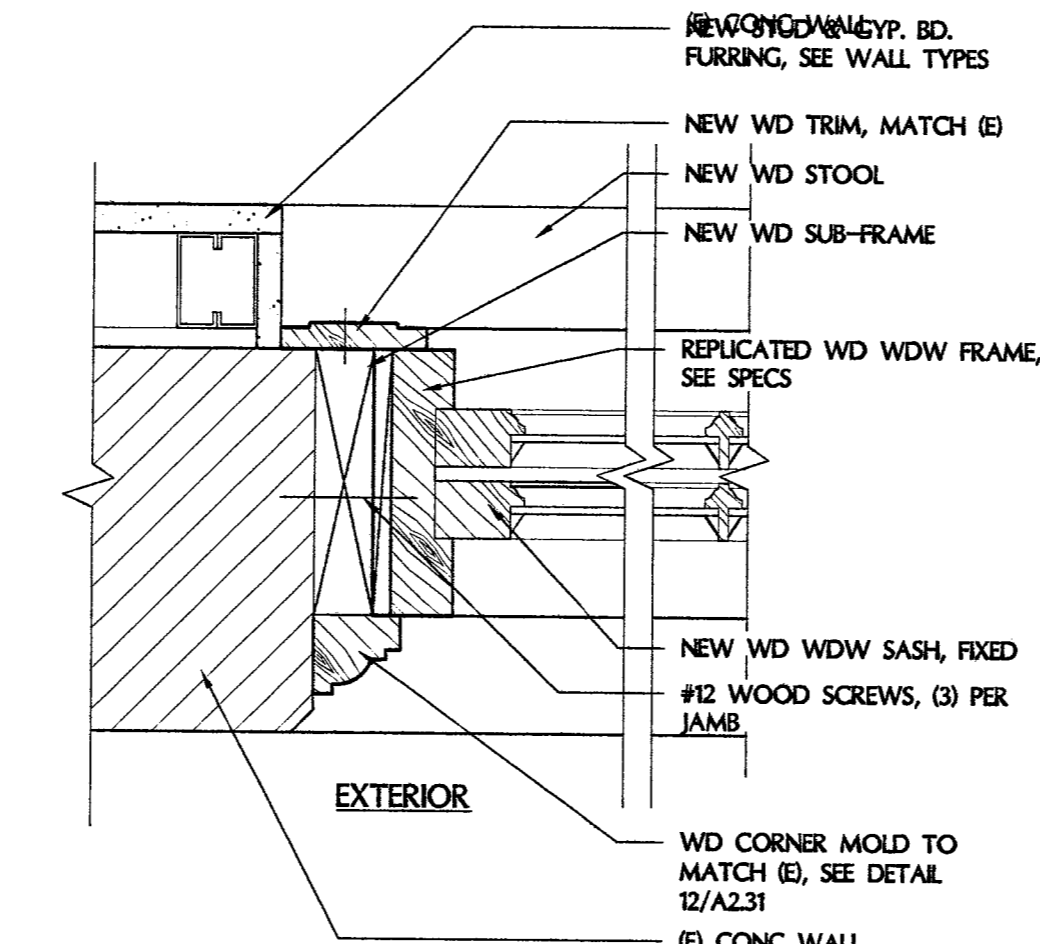
**11 FRENCH DOOR INT. JAMB**

SCALE: 3" = 1'-0"



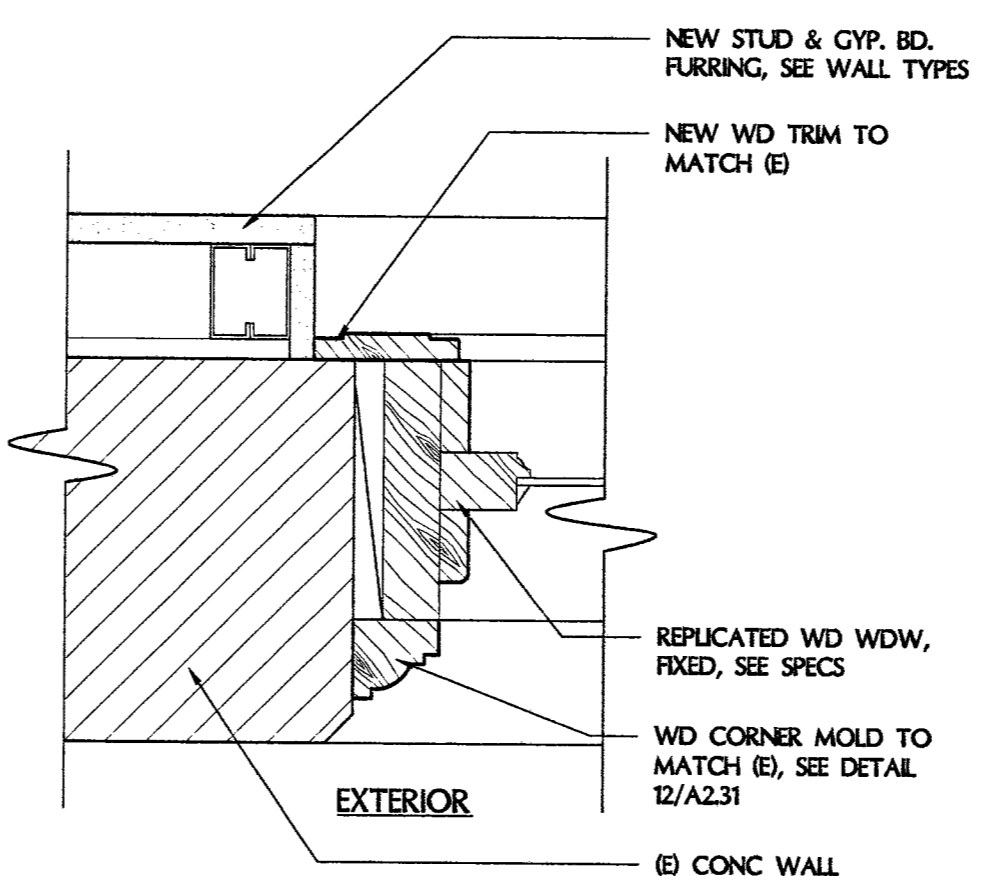
**7 TRANSOM JAMB**

SCALE: 3" = 1'-0"



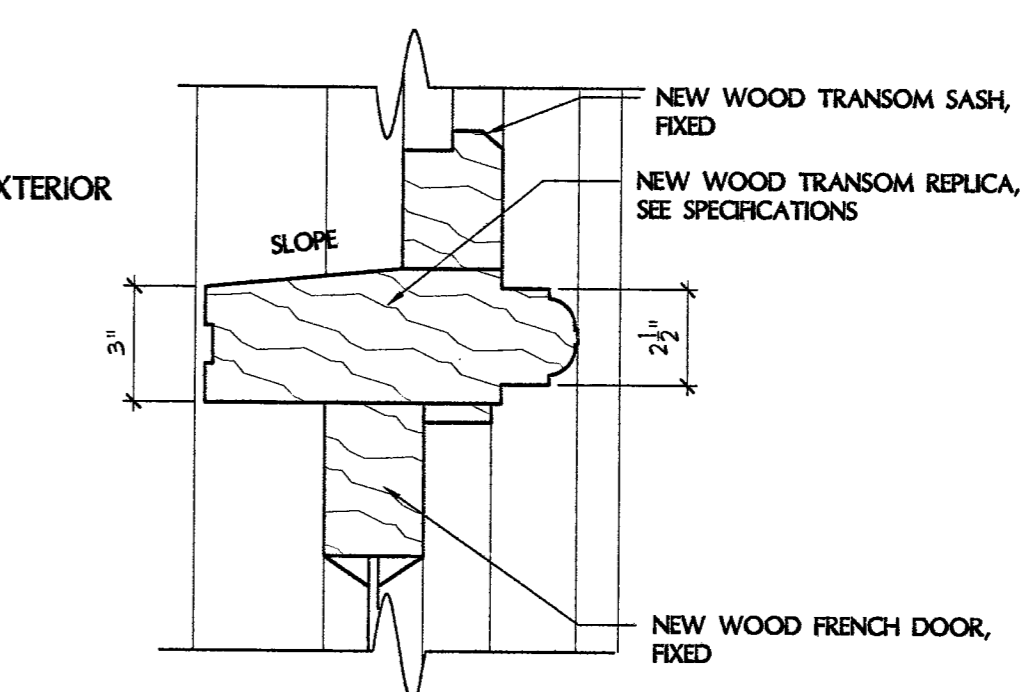
**DOUBLE HUNG WINDOW JAMB**

SCALE: 3" = 1'-0"



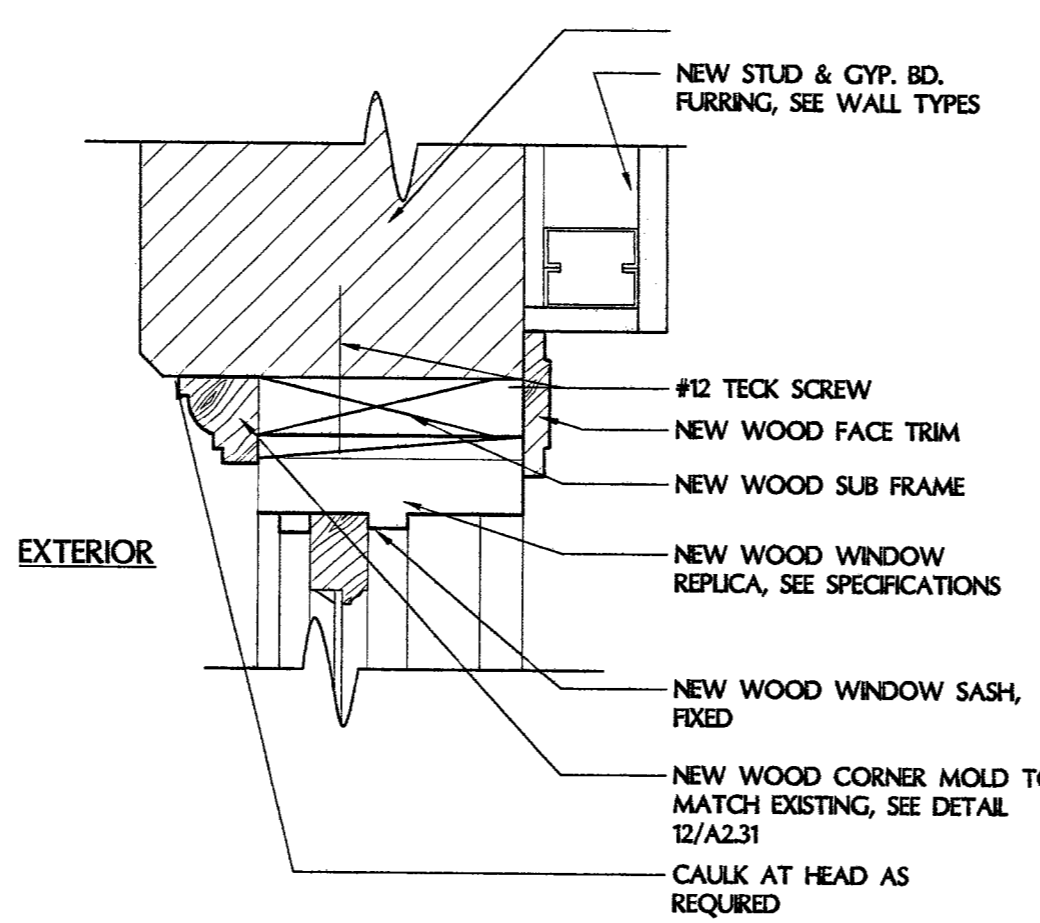
**10 HOPPER JAMB**

SCALE: 3" = 1'-0"



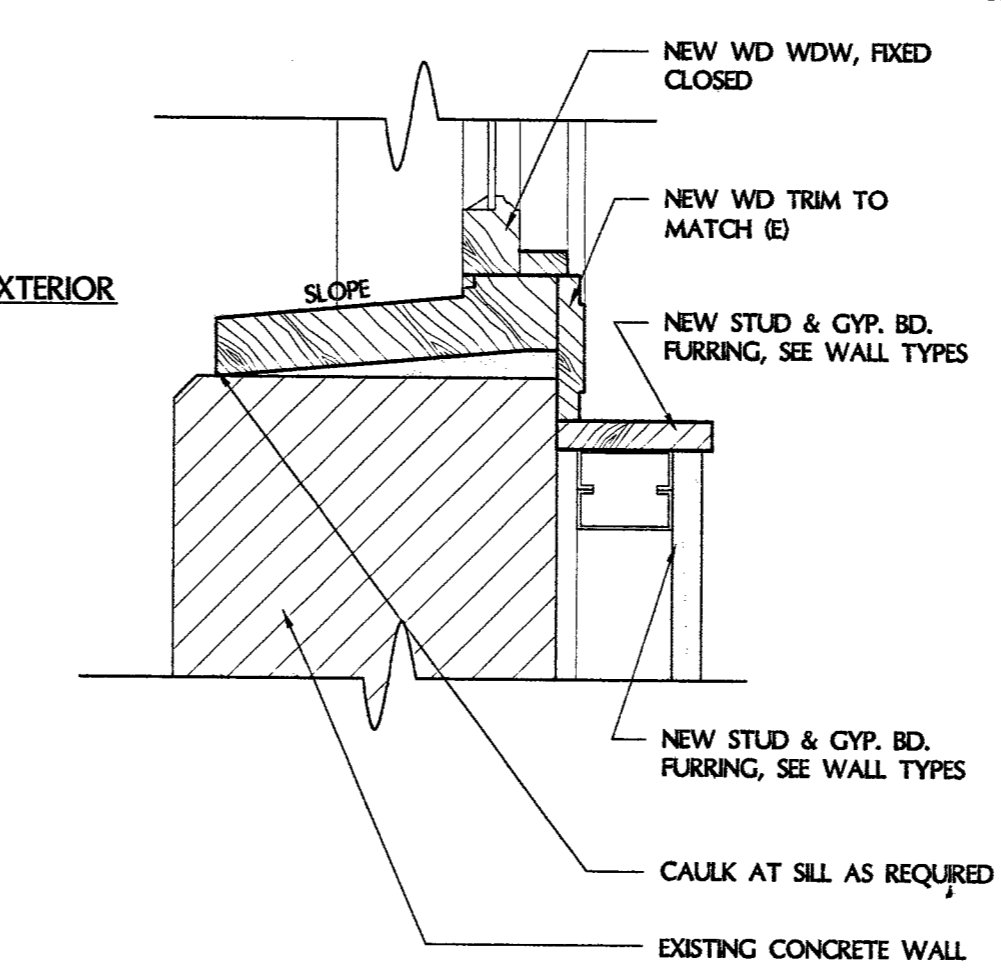
**6 TRANSOM BAR**

SCALE: 3" = 1'-0"



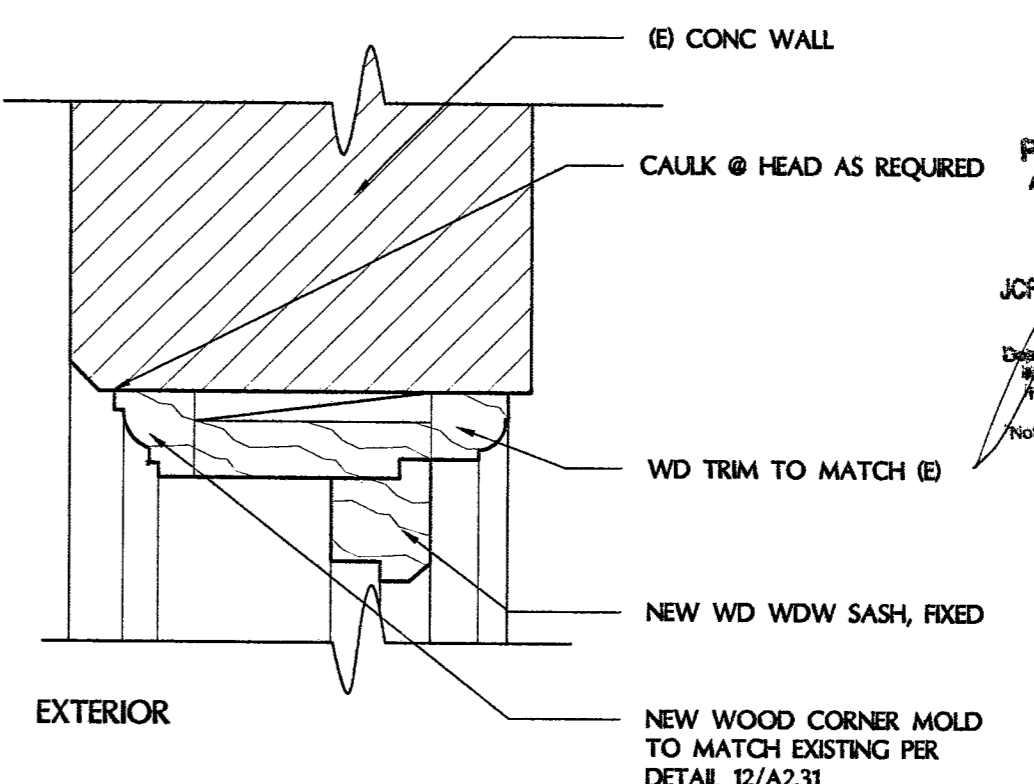
**DOUBLE HUNG WINDOW HEAD**

SCALE: 3" = 1'-0"



**9 HOPPER SILL**

SCALE: 3" = 1'-0"



**5 TRANSOM HEAD**

SCALE: 3" = 1'-0"

PLANS APPROVED  
ARCHITECTURAL  
JCF JAN 4 2 2007

OWNER: CITY OF LAS VEGAS  
DEPARTMENT OF PUBLIC WORKS  
ARCHITECTURAL SERVICES

**CITY OF LAS VEGAS**  
REHABILITATION  
BUILDING DEPARTMENT SUBMITTAL

**FIFTH STREET SCHOOL**

REVISION 2/2/07

**BRIAN S. RICKLE**  
REGISTERED ARCHITECT  
No. 2117  
STATE OF NEVADA

OWNER: CITY OF LAS VEGAS  
DEPARTMENT OF PUBLIC WORKS  
ARCHITECTURAL SERVICES

400 EAST STEWART AVENUE  
LAS VEGAS, NEVADA 89101  
PHONE: (702) 228-6521  
FAX: (702) 384-6846  
TEXT: (702) 384-9108

**WINDOW DETAILS**  
DATE: 12/4/06  
SCALE: 3" = 1'-0"  
DWG NO. A2.31