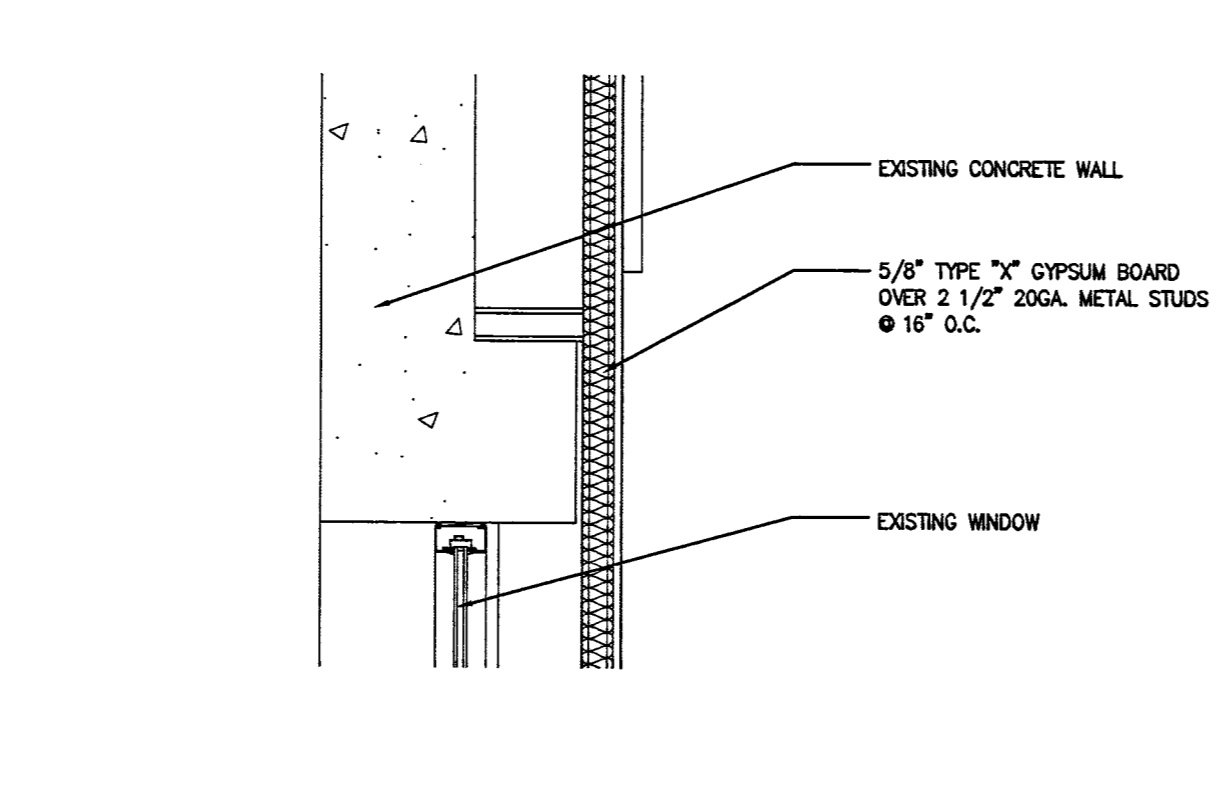
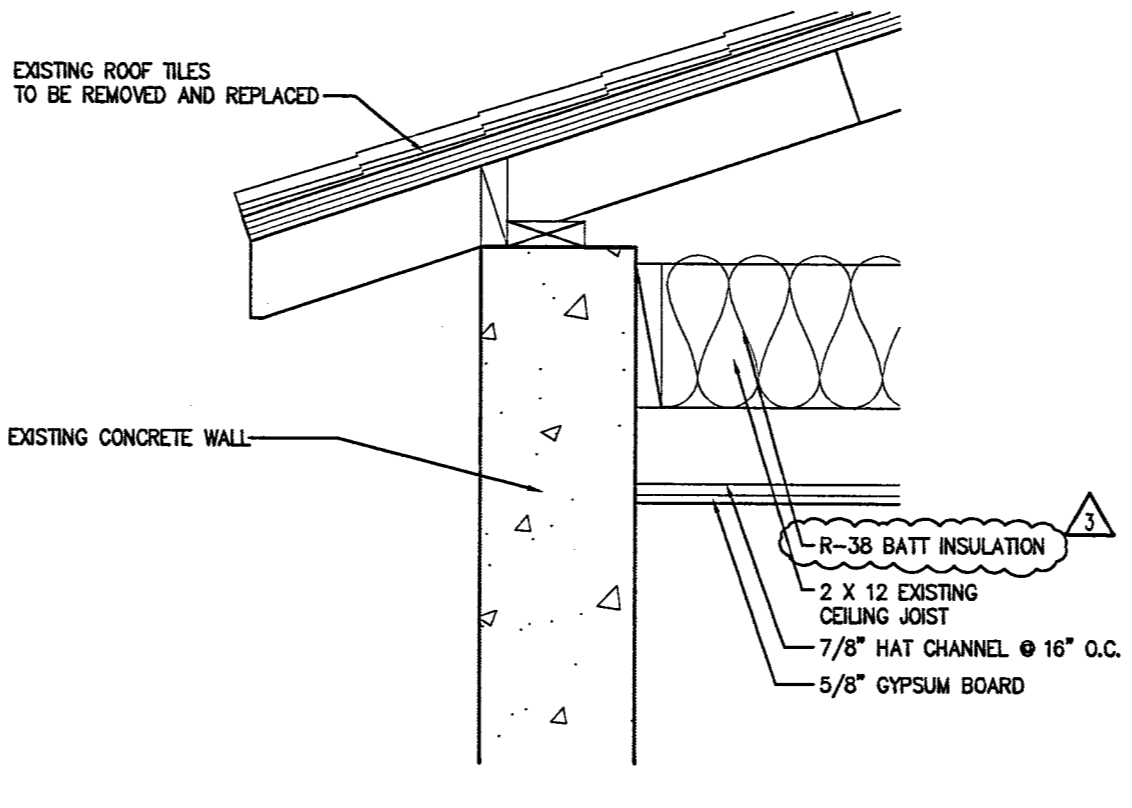


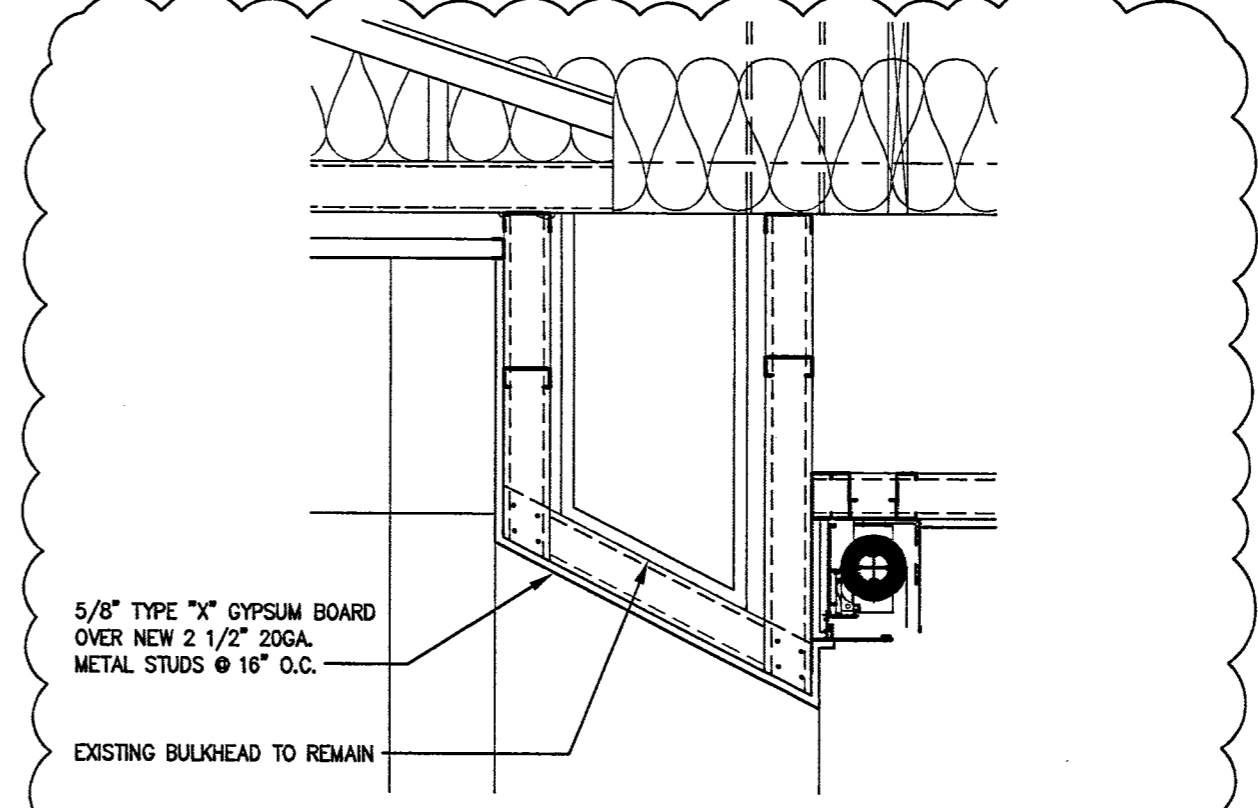
DETAIL 16
SCALE: 1" = 1'-0"
723-CD15



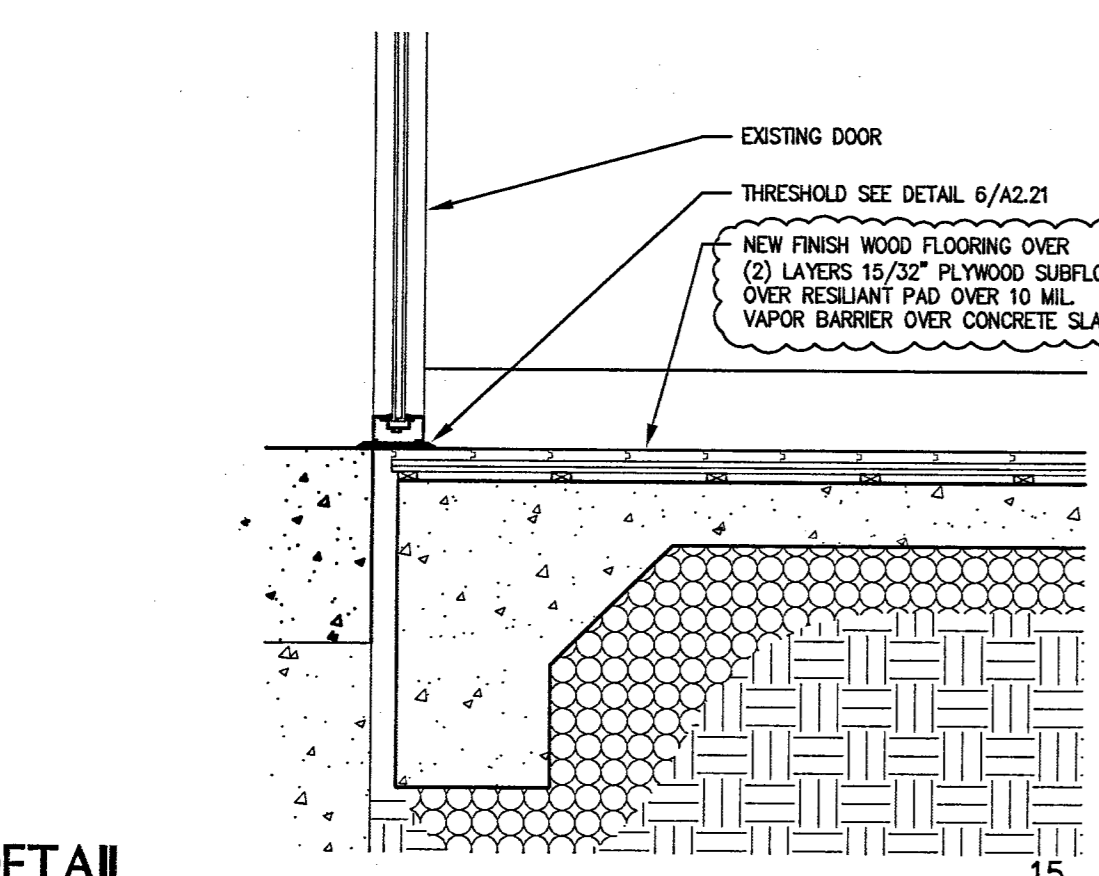
DETAIL 12
SCALE: 1" = 1'-0"
723-CD13



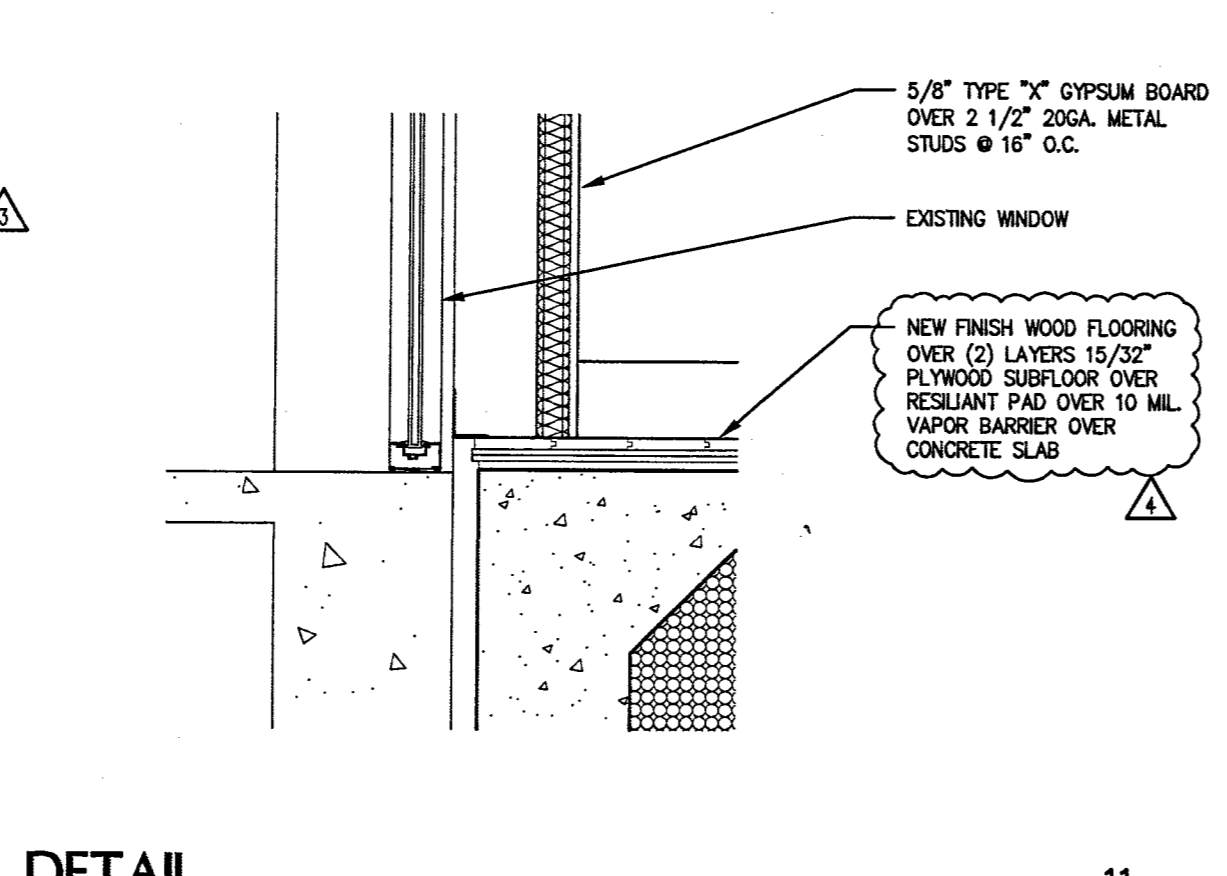
SOFFIT DETAIL 8
SCALE: 1" = 1'-0"
723-CD10



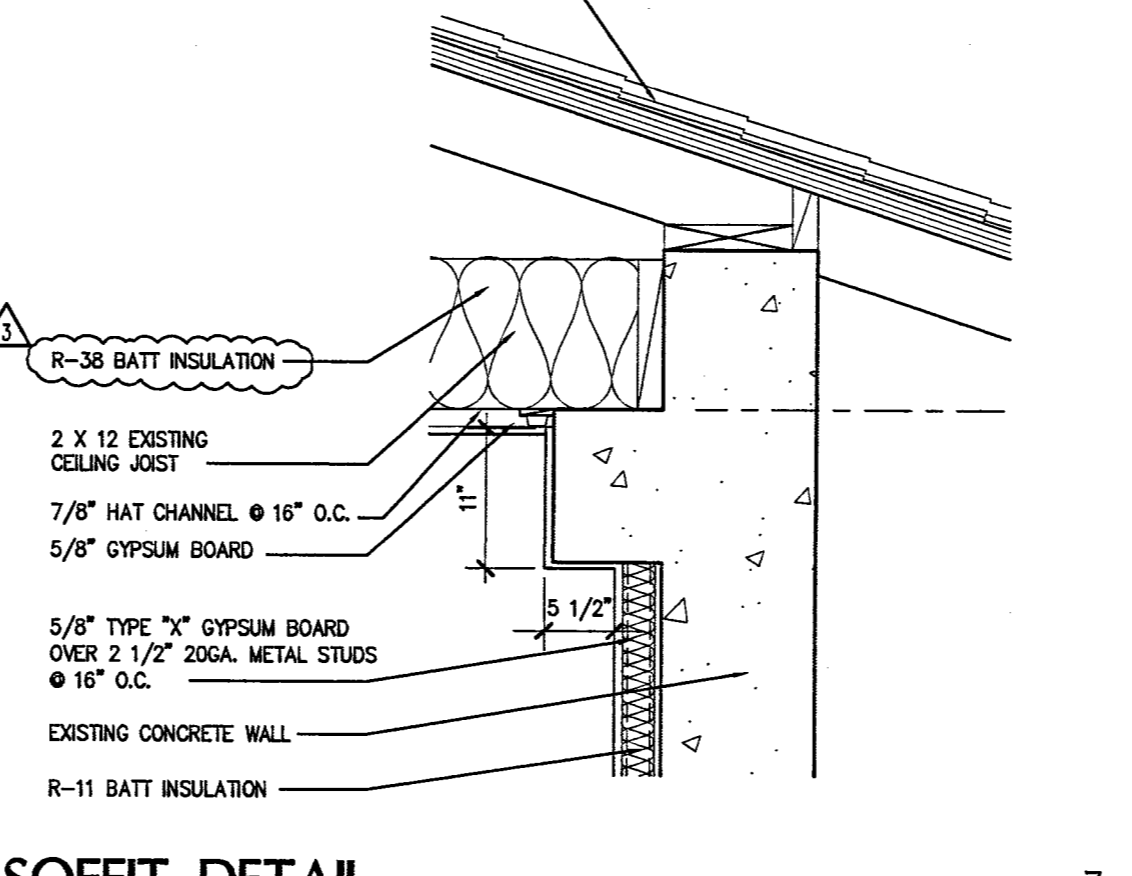
SOFFIT DETAIL 4
SCALE: 1" = 1'-0"
723-CD03



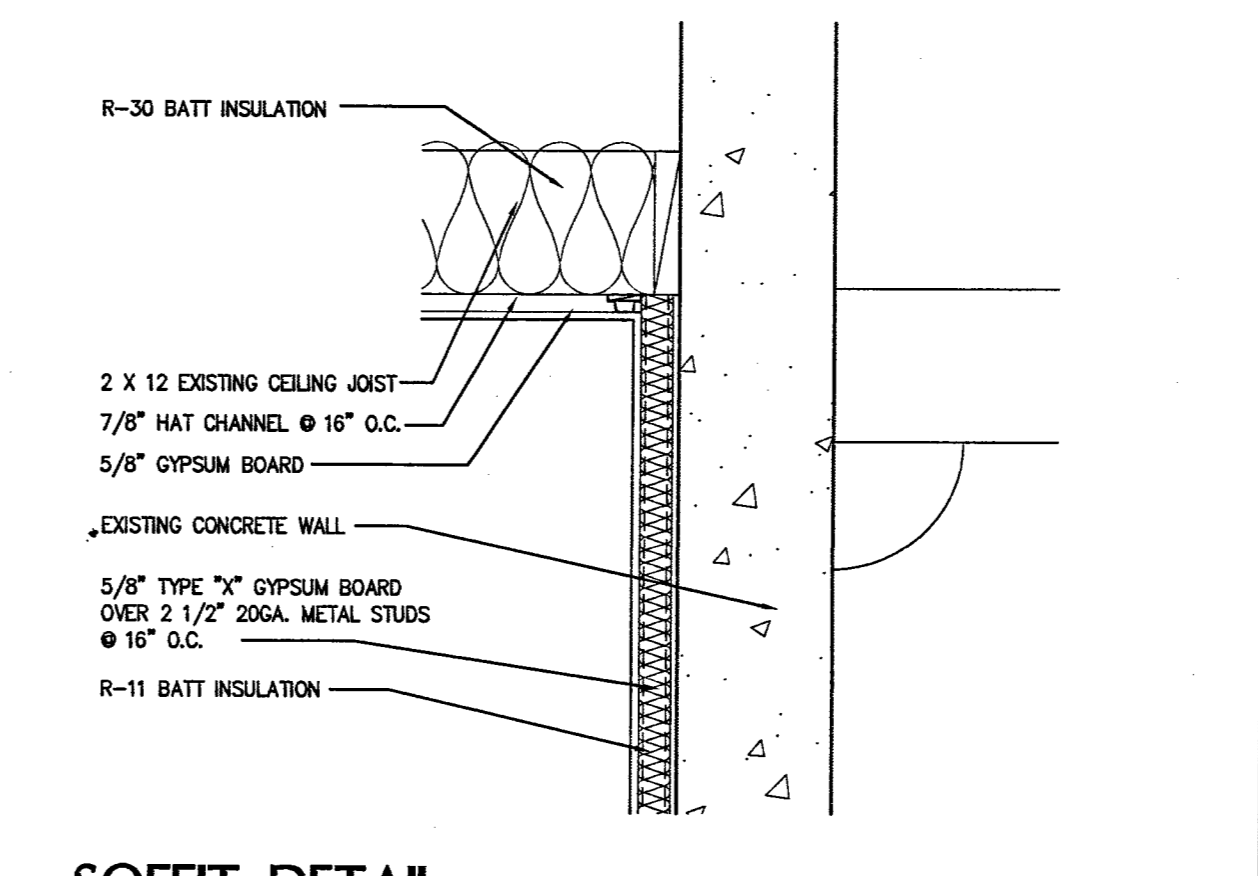
DETAIL 15
SCALE: 1" = 1'-0"
723-CD16



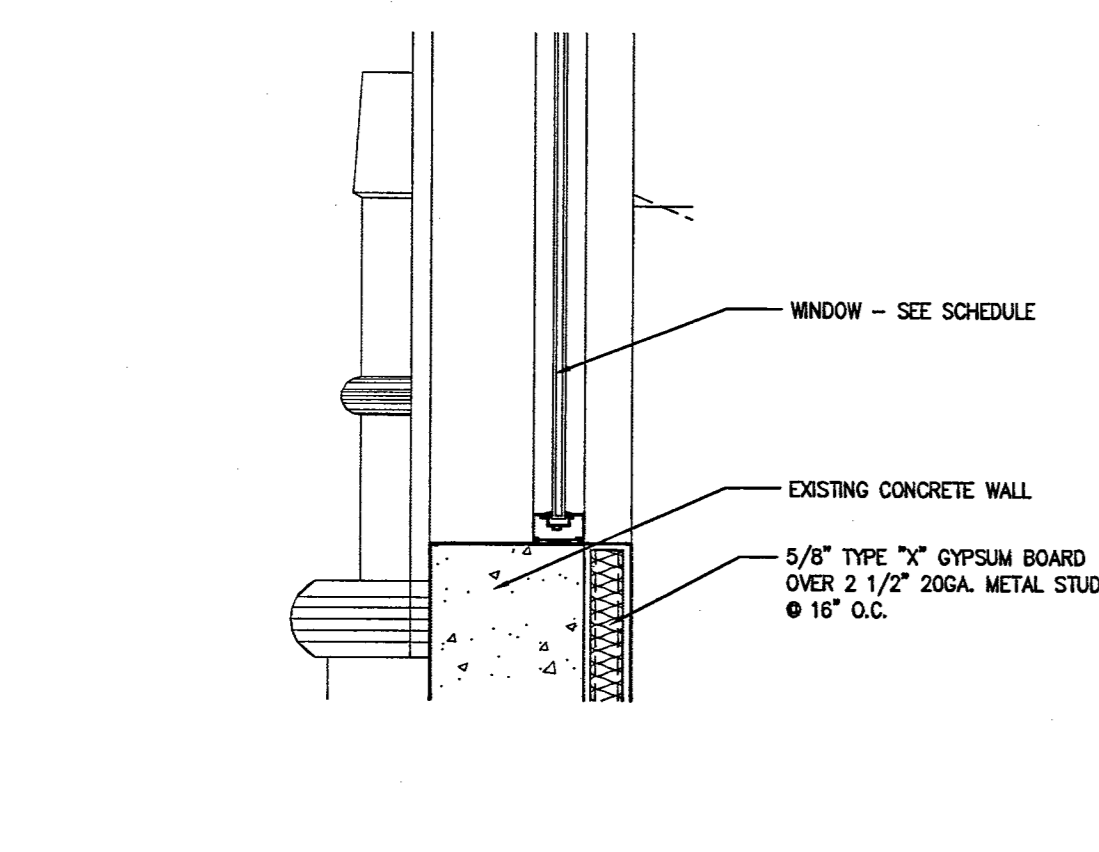
DETAIL 11
SCALE: 1" = 1'-0"
723-CD12



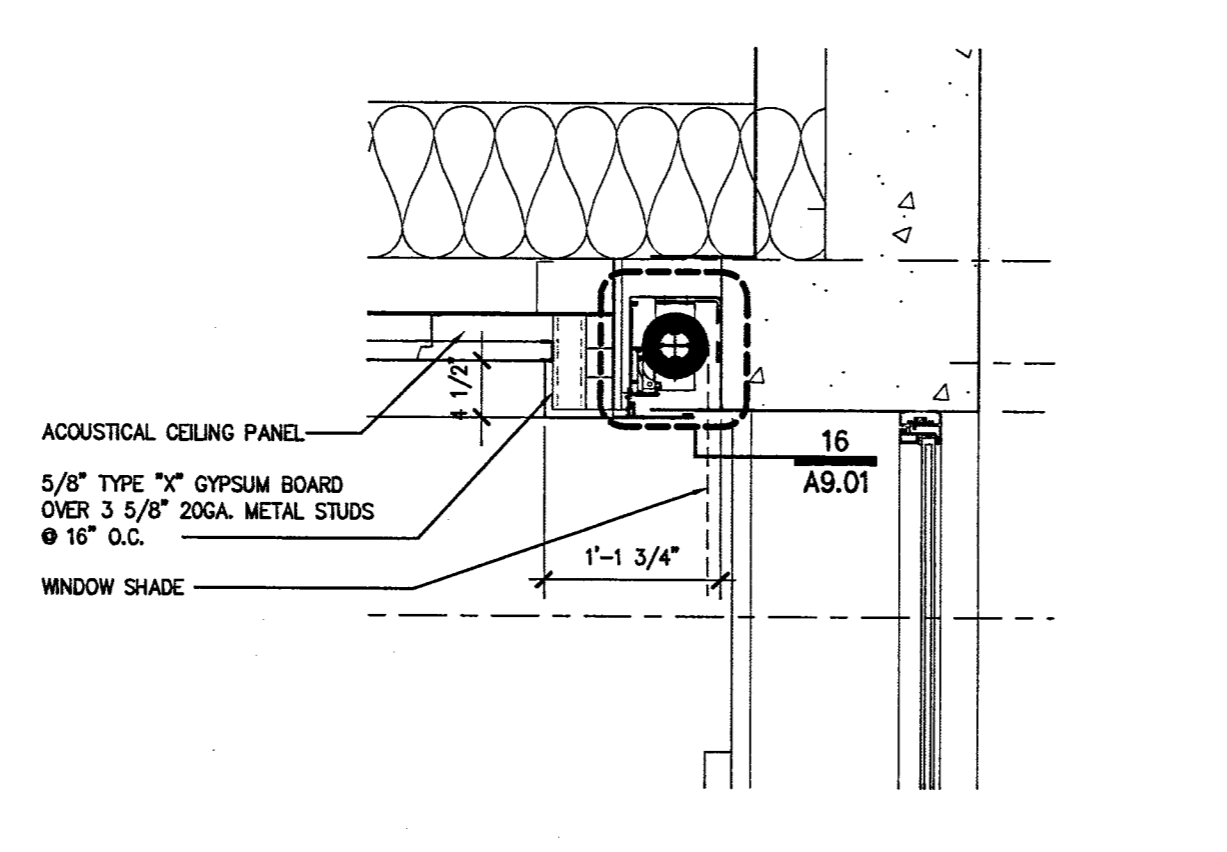
SOFFIT DETAIL 7
SCALE: 1" = 1'-0"
723-CD09



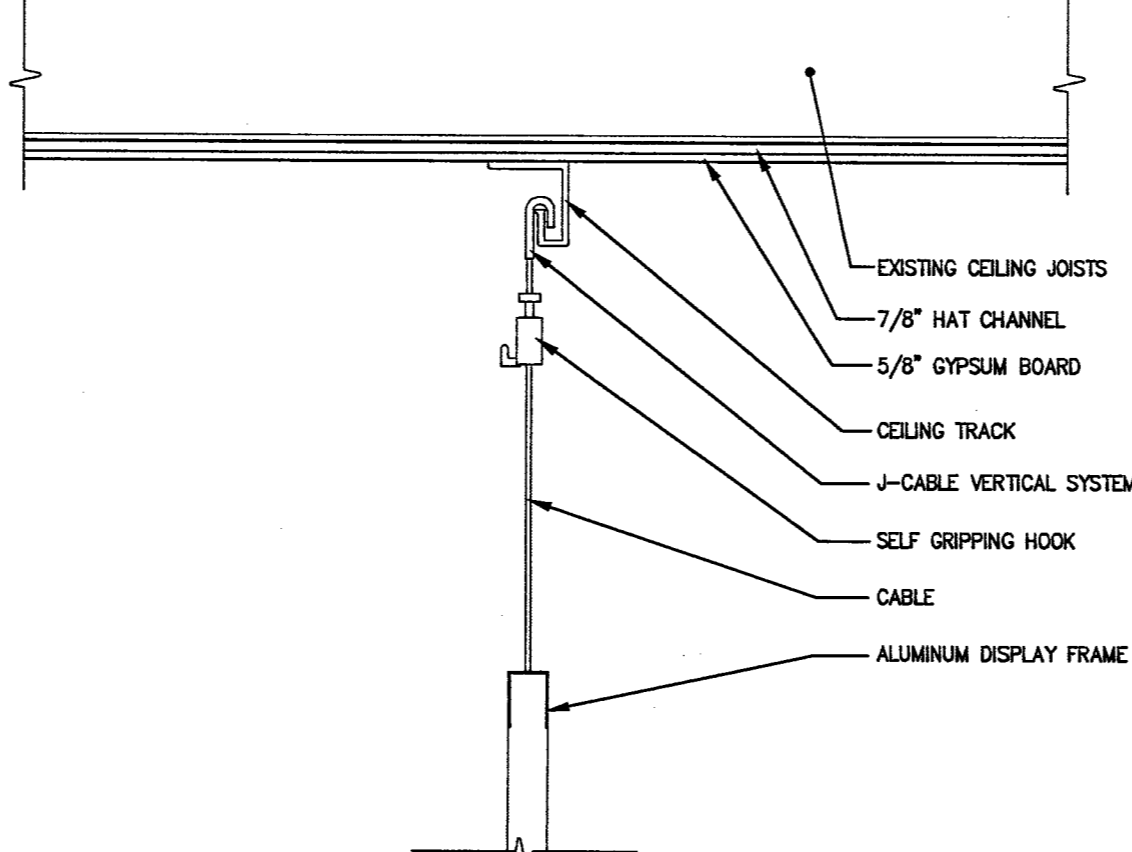
SOFFIT DETAIL 3
SCALE: 1" = 1'-0"
723-CD07



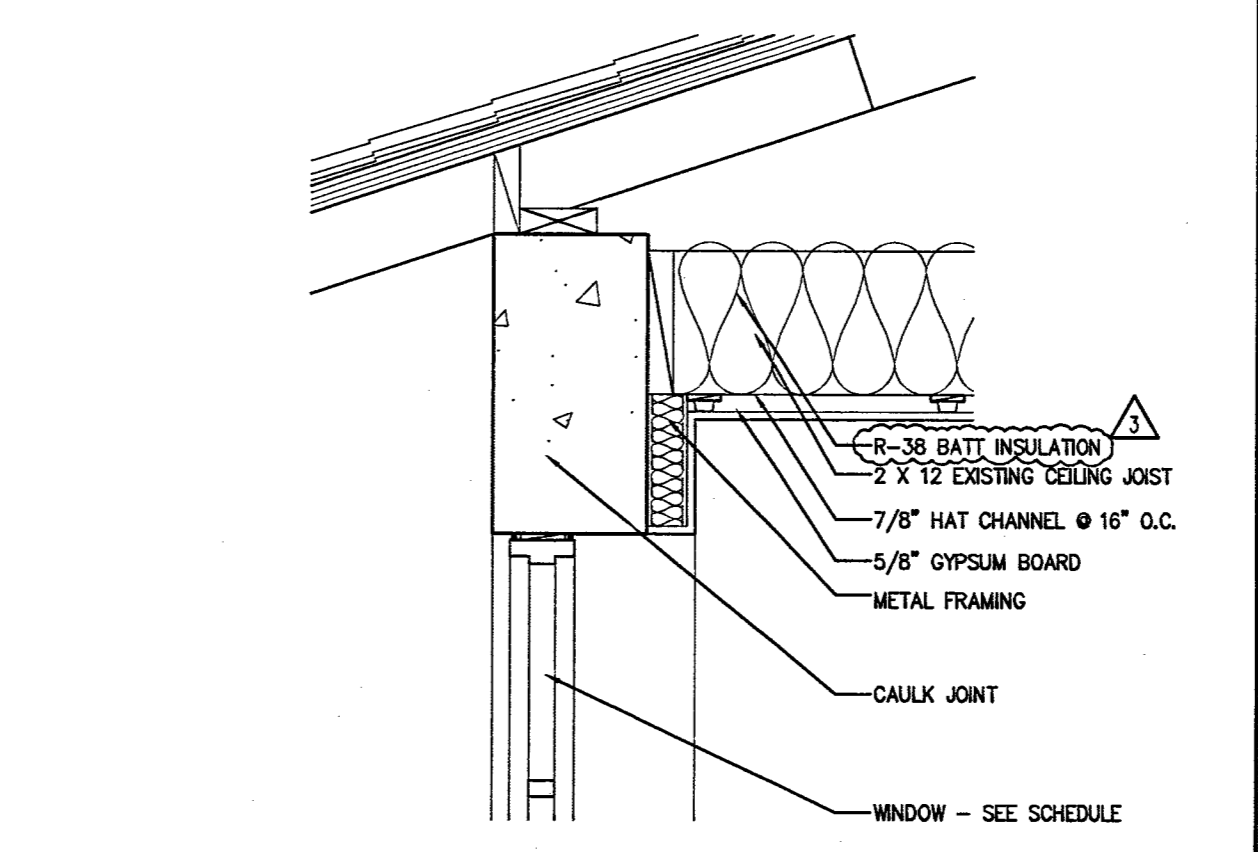
DETAIL 14
SCALE: 1" = 1'-0"
723-CD14



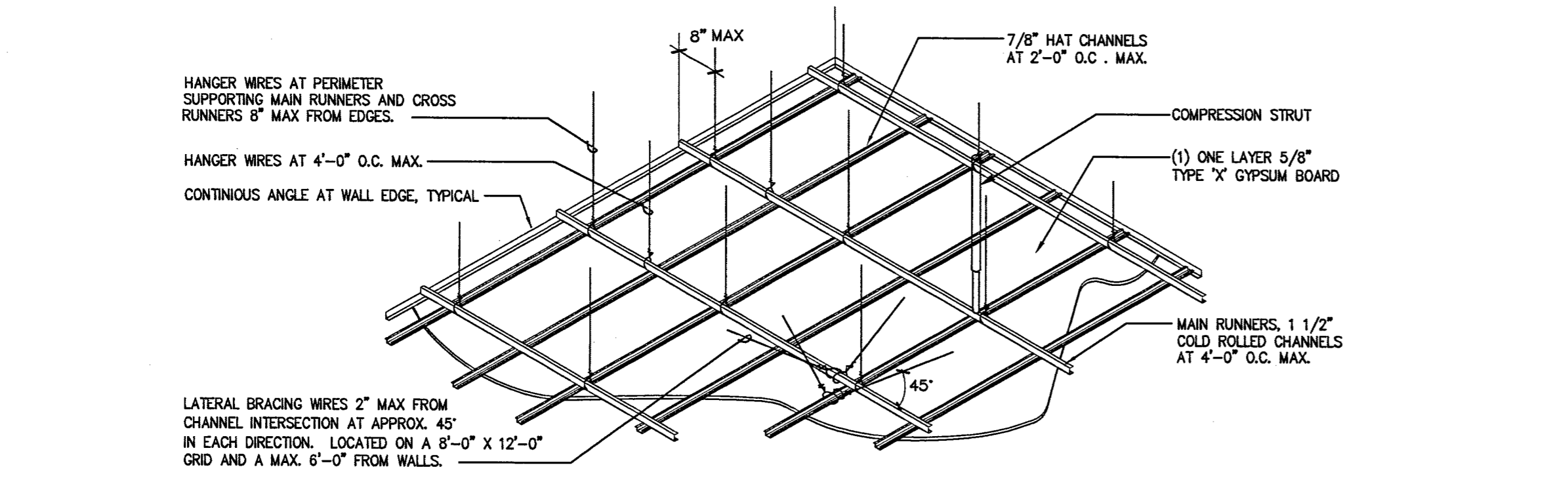
SOFFIT DETAIL 10
SCALE: 1" = 1'-0"
723-CD11



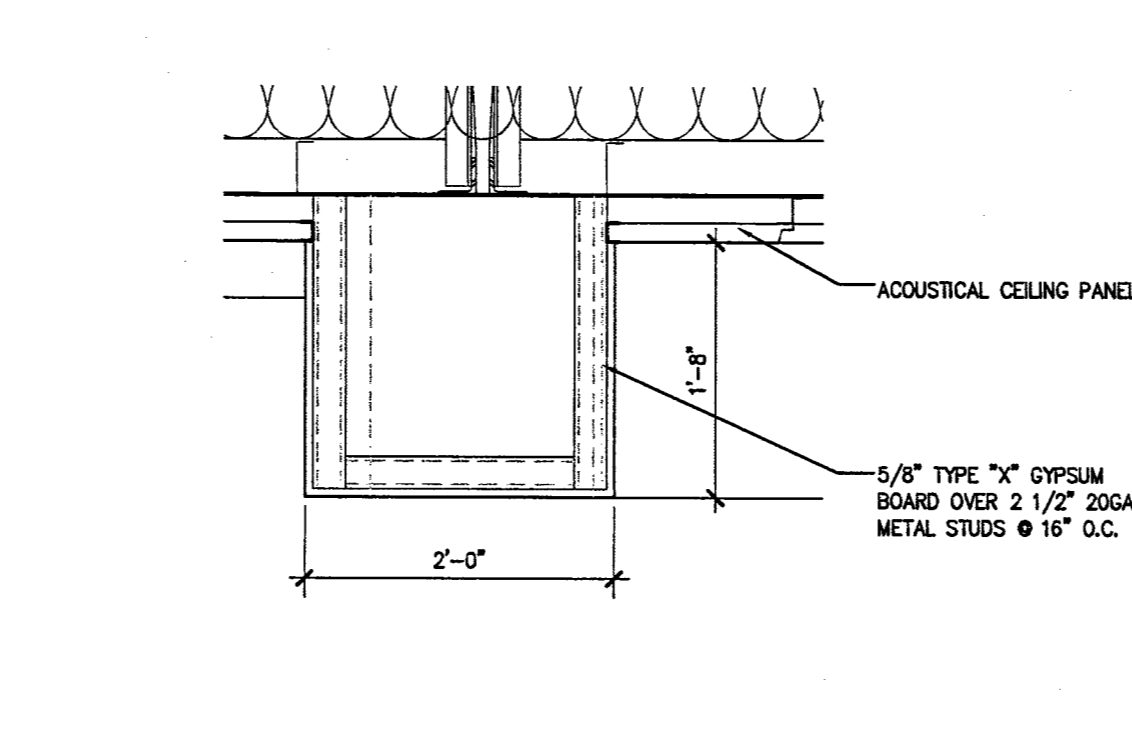
CEILING TRACK ART HANGING DETAIL 6
SCALE: 1" = 1'-0"
723-CD25



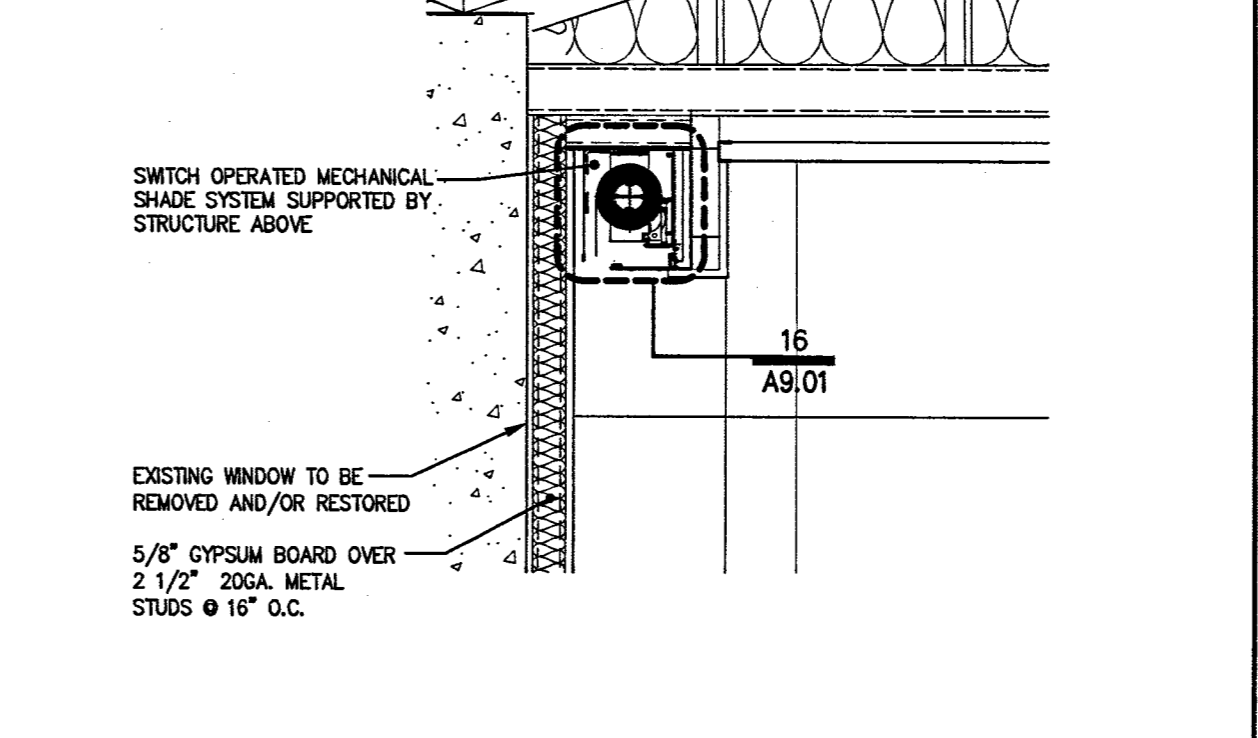
SOFFIT DETAIL 2
SCALE: 1" = 1'-0"
723-CD06



TYPICAL SUSPENDED GYPSUM BOARD CEILING DETAIL 9
SCALE: NOT TO SCALE
723-CD08



SOFFIT DETAIL 5
SCALE: 1" = 1'-0"
723-CD05



LIGHT COVE DETAIL 1
SCALE: 1" = 1'-0"
723-CD22

RECEIVED
FEB 08 2007
CITY OF LAS VEGAS
BUILDING DEPT.

PLANS APPROVED
ARCHITECTURAL
12/12/2006
SCALE
VARIES
JCF
FEB 08 2007

CLY COMMENTS
4-4-2007
OWNER COMMENTS
2-8-2007

KCA ARCHITECTURE
100 SOUTH PULASKI AVENUE
LAS VEGAS, NEVADA 89101
WWW.KCAARCHITECTURE.COM
PHONE: 702.377.8800
FACSIMILE: 702.377.2843

NEVADA ARCHITECTURE & PLANNING
PHONE: 482-29-7888

BARKER DROTTER ASSOCIATES
STRUCTURAL ENGINEERS
PHONE: 702-39-8888

MECHANICAL - PLUMBING - ELECTRICAL - FIRE SAFETY - ACoustICAL - ORNAMENTAL LIGHTING
USA CONSULTING ENGINEERS
PHONE: 702-362-9288

STAGE LIGHTING & DESIGN
CONAL LIGHTING DESIGN GROUP
PHONE: 88-28-1203

LANDSCAPE - IZZINGANO & ASSOCIATES
PHONE: 702-37-0789

COST ESTIMATING - RIDER HUNT LEVETT & BAILEY
PHONE: 702-37-9888

ADA ACCESSIBILITY - ENDELMAN AND ASSOCIATES
PHONE: 362-37-4442

CITY OF LAS VEGAS

FIFTH STREET SCHOOL REHABILITATION BUILDING DEPARTMENT SUBMITTAL

REVISED 2-24-07

CITY OF LAS VEGAS REDEVELOPMENT AGENCY

RECEIVED
FEB 08 2007
CITY OF LAS VEGAS
BUILDING DEPT.

OWNER: CITY OF LAS VEGAS DEPARTMENT OF PUBLIC WORKS ARCHITECTURAL SERVICES

440 EAST STEWART AVENUE
LAS VEGAS, NEVADA 89101
PHONE: (702) 229-6233
FAX: (702) 388-8848
TDD: (702) 388-9108

FILE: CEILING DETAILS
DATE: 12/12/2006
SCALE: VARIES
DRAWN BY: JCF
CHECKED BY: JCF
CITY: LAS VEGAS
PROJECT: 513-65E

A3.11