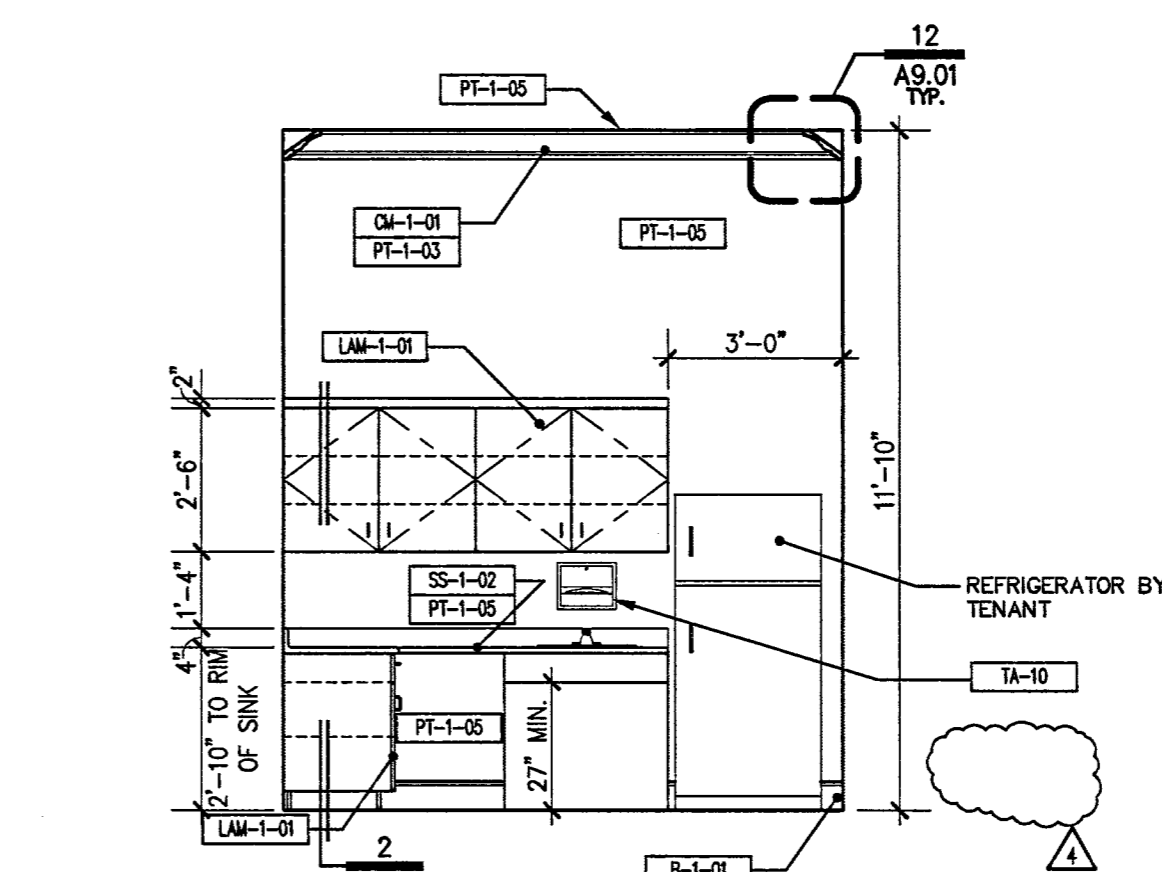


BREAK ROOM - G111

SCALE: 3/8" = 1'-0"

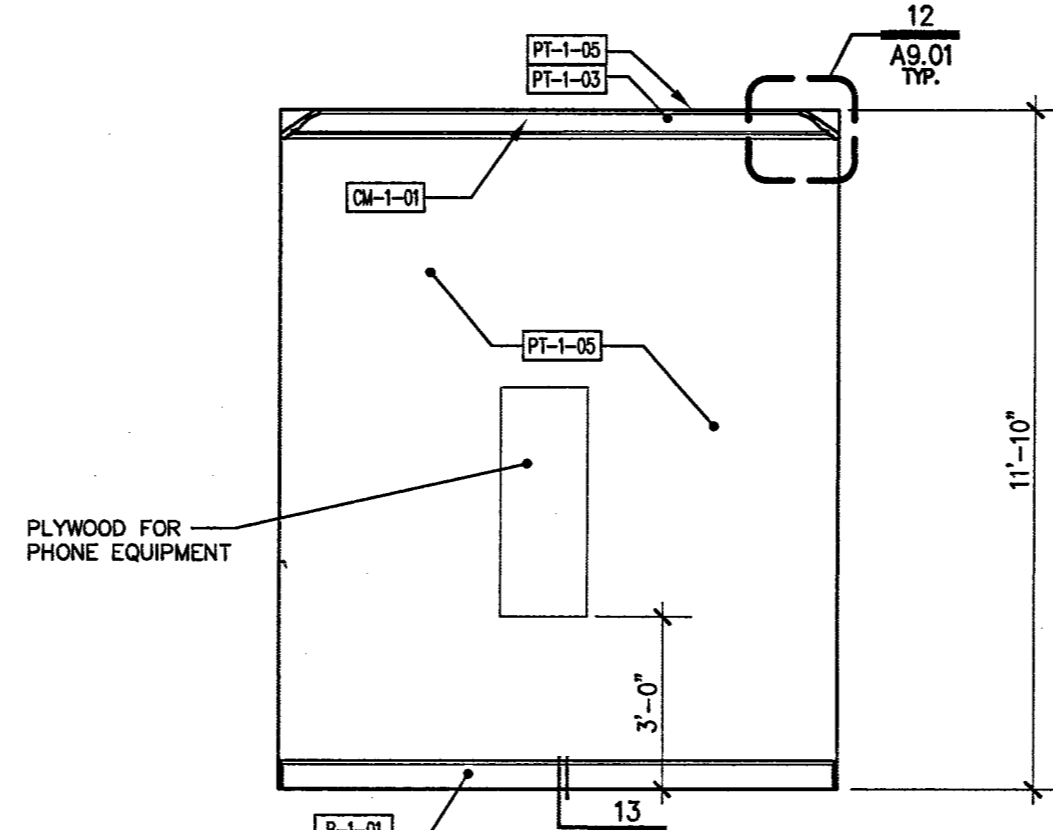
723E061



BREAK ROOM - G111

SCALE: 3/8" = 1'-0"

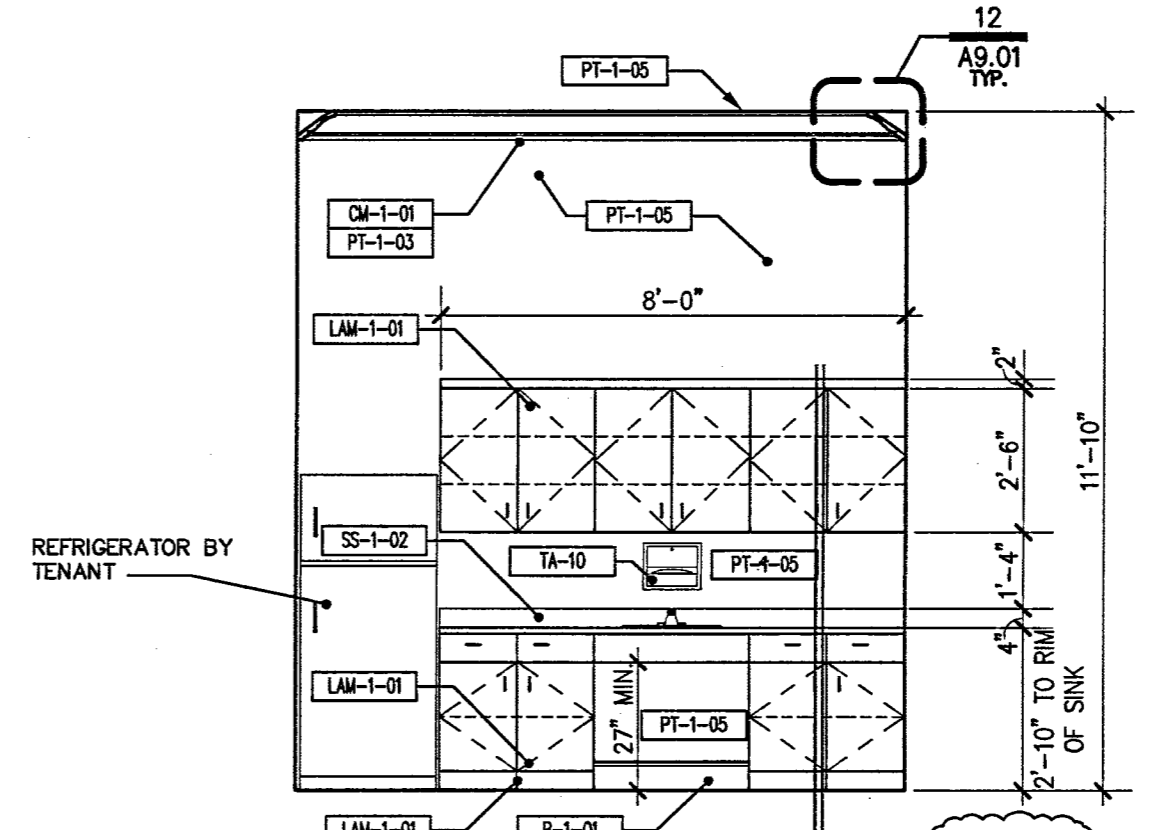
723E059



BREAK ROOM - G111

SCALE: 3/8" = 1'-0"

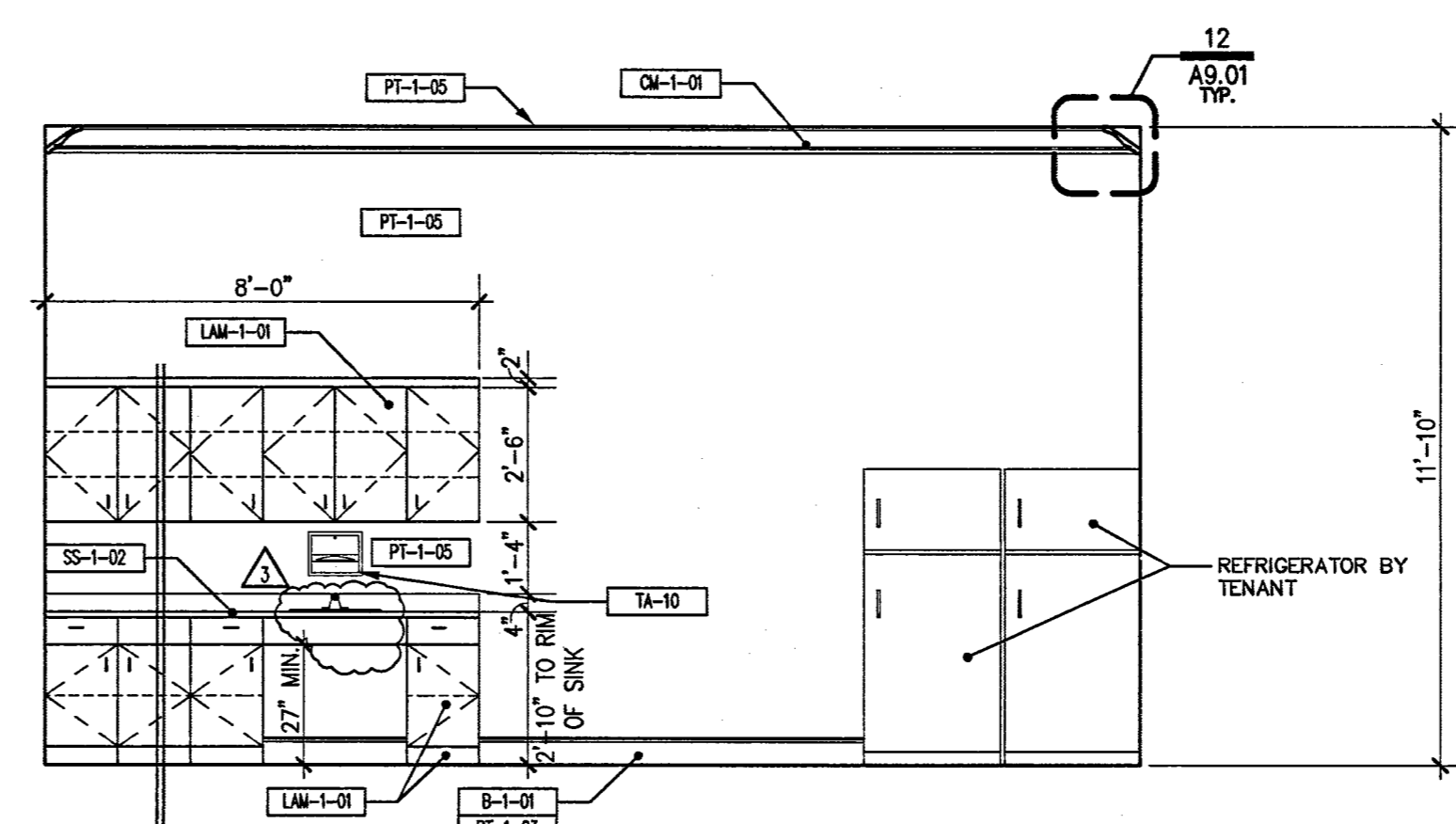
723E060



TEACHER'S LOUNGE - E103

SCALE: 3/8" = 1'-0"

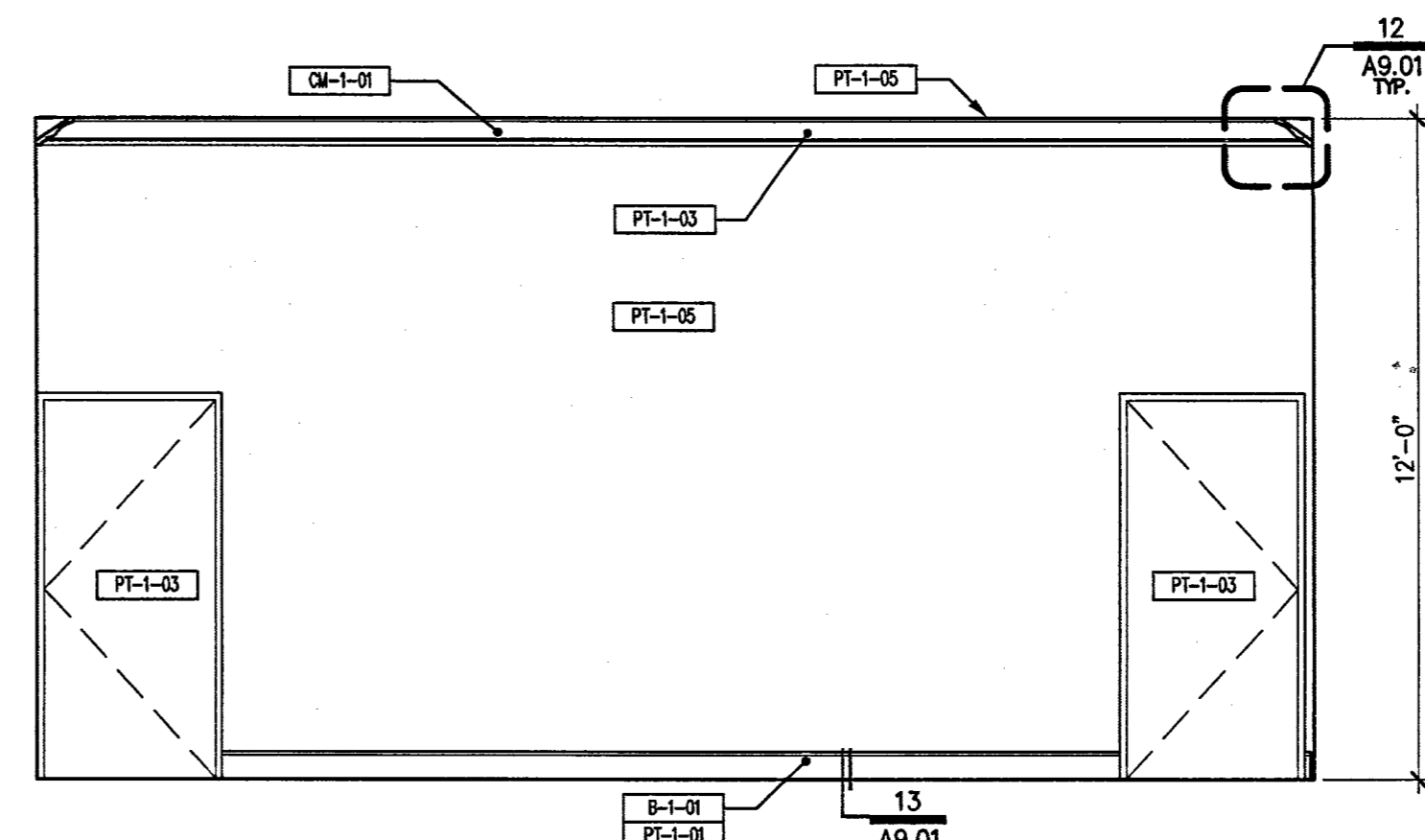
723E057



BREAK ROOM - G104

SCALE: 3/8" = 1'-0"

723E058



OFFICE ROOM - F100

SCALE: 3/8" = 1'-0"

723E054

TOILET ACCESSORIES

TA-#	DESCRIPTION
TA-1	SEM-RECESSED PAPER TOWEL DISPENSER/WASTE RECEPTACLE (BOBRICK B-3944), MOUNT TOP OF CABINET AT 60 1/2" A.F.F. COUNTER OR LAVATORY- MOUNTED LIQUID SOAP DISPENSER (BOBRICK B-522)
TA-2	FABRIC BURN GUARD-BOBRICK
TA-3	MIRROR-POLISHED EDGE PARTITION - MOUNTED MULTI-ROLL TOILET TISSUE AT 28" A.F.F. (BOBRICK B-4288)
TA-4	PARTITION - MOUNTED TOILET SEAT COVERS AND TOILET TISSUE DISPENSER (BOBRICK B-504)
TA-5	RECESSED TOILET SEAT COVER AND TOILET TISSUE DISPENSER (BOBRICK B-3571)
TA-6	GRAB BAR "L" SHAPED 36"x34" (BOBRICK B-5837), MOUNT CENTER OF BAR AT 34" A.F.F. SEE DETAIL 4/A9.07
TA-7	TOILET PARTITION: SEE DETAIL 2/A9.07
TA-8	SURFACE-MOUNTED PAPER TOWEL DISPENSER (BOBRICK B-282)
TA-9	GRAB BARS (BOBRICK B-5808) X 42", MOUNT CENTER OF BAR AT 34" A.F.F. WITH CENTER OF FLANGE AT 12" FROM BACK WALL. SEE DETAIL 4/A9.07
TA-10	SEM-RECESSED TOILET PAPER DISPENSER (BOBRICK B-697)
TA-11	RECESSED PAPER TOWEL DISPENSER (BOBRICK B-3590)
TA-12	GRAB BAR "L" SHAPED 30" X 42" (BOBRICK B-5837), MOUNT CENTER OF BAR AT 34" A.F.F. SEE DETAIL 4/A9.07
TA-13	SOAP DISPENSER (BOBRICK B-2112)
TA-14	TOILET SEAT COVER DISPENSER (BOBRICK B-4221)
TA-15	DRINKING FOUNTAIN
TA-16	CERAMIC TILE SHOWER BASE WITH DRAIN. SEE DETAIL 6/A9.07
TA-17	DOOR STOP. SEE DETAIL 3/A9.07
TA-18	12" CONCRETE LEDGE
TA-19	CARPET TO TILE FLOOR TRANSITION DETAIL. SEE DETAIL 5/A9.07
TA-20	GARBAGE DISPOSAL
TA-21	URINAL SCREEN

GENERAL NOTE

1. PROVIDE BACKING FOR ALL FIXTURES AND ACCESSORIES

INTERIOR FINISH SCHEDULE

KEY	DESCRIPTION
AF-1-01	ACOUSTIC WALL PANEL FABRIC-SEE FINISH SCHEDULE SHT. ID1.00/ID1.01
AP-1-01	ACOUSTIC WALL PANEL-SEE FINISH SCHEDULE SHT. ID1.00/ID1.01
AP-1-03	ACOUSTIC CEILING-SEE FINISH SCHEDULE SHT. ID1.00/ID1.01
B-1-01	CUSTOM BASE TO MATCH EXISTING-SEE FINISH SCHEDULE SHT. ID1.00/ID1.01
B-1-02	CUSTOM BASE TO MATCH EXISTING-SEE FINISH SCHEDULE SHT. ID1.00/ID1.01
CM-1-01	C & A CHOAS 15021 CASSIA BARK SEE FINISH SCHEDULE SHT. ID1.00/ID1.01
DL-1-01	LITECONTROL - CIROS SEE FINISH SCHEDULE SHT. EG1.02
DL-1-04	WAC 1126 SEE FINISH SCHEDULE SHT. EG1.02
DL-1-06	STAGE - SEE FINISH SCHEDULE SHT. LTI.01 & LTI.02
DL-1-07	6" APERTURE - NON IC WHITE CLW-SEE FINISH SCHEDULE SHT. EG1.02
DL-1-08	PENDANT FIXTURE-SEE FINISH SCHEDULE SHT. EG1.02
HA-1-01	HANGING ART BRUSHED NICKEL-SEE FINISH SCHEDULE SHT. ID1.00/ID1.01
LAM-1-01	LAMINATE-SEE FINISH SCHEDULE SHT. ID1.00/ID1.01
MB-1-01	MARKER/CORD BOARD CHERRY-SEE FINISH SCHEDULE SHT. ID1.00/ID1.01
PT-1-01	PAINT-SEE FINISH SCHEDULE SHT. ID1.00/ID1.01
PT-1-02	PAINT-SEE FINISH SCHEDULE SHT. ID1.00/ID1.01
PT-1-03	PAINT-SEE FINISH SCHEDULE SHT. ID1.00/ID1.01
PT-1-04	PAINT-SEE FINISH SCHEDULE SHT. ID1.00/ID1.01
PT-1-05	PAINT-SEE FINISH SCHEDULE SHT. ID1.00/ID1.01
PT-1-06	PAINT-SEE FINISH SCHEDULE SHT. ID1.00/ID1.01
PT-1-07	PAINT-SEE FINISH SCHEDULE SHT. ID1.00/ID1.01
PT-1-08	PAINT-SEE FINISH SCHEDULE SHT. ID1.00/ID1.01
SF-1-01	STAGE LAMINATE-SEE FINISH SCHEDULE SHT. ID1.00/ID1.01
SS-1-01	SOLID SURFACING COPPER NUGGET-SEE FINISH SCHEDULE SHT. ID1.00/ID1.01
SS-1-02	SOLID SURFACING BLACK LAVA-SEE FINISH SCHEDULE SHT. ID1.00/ID1.01
T-1-01	FIORITO NOCE FR21-SEE FINISH SCHEDULE SHT. ID1.00/ID1.01
T-1-02	KEYSTONES UNGLAZED BLACK-SEE FINISH SCHEDULE SHT. ID1.00/ID1.01
T-1-03	FIORITO NOCE FR21-SEE FINISH SCHEDULE SHT. ID1.00/ID1.01
T-1-04	FIORITO GOTTA FR24-SEE FINISH SCHEDULE SHT. ID1.00/ID1.01
T-1-05	VILLAGE BLEND NOCE FR21-SEE FINISH SCHEDULE SHT. ID1.00/ID1.01
TP-1-01	POWDER COATED STEEL PARTITIONS-SEE FINISH SCHEDULE SHT. ID1.00/ID1.01
WD-1-01	WOOD FLOOR-SEE FINISH SCHEDULE SHT. ID1.00/ID1.01
WD-1-02	WOOD PANELS-SEE FINISH SCHEDULE SHT. ID1.00/ID1.01
WD-1-03	WOOD PANELS-SEE FINISH SCHEDULE SHT. ID1.00/ID1.01
WS-1-01	EQUINOX 0100-0110 NEUTRAL-MOTORIZED SEE FINISH SCHEDULE SHT. ID1.00/ID1.01
WS-1-02	WINDOWMATES - CREAM SEE FINISH SCHEDULE SHT. ID1.00/ID1.01

RECEIVED
FEB 08 2007
CITY OF LAS VEGAS
BUILDING DEPT.

PLANS APPROVED
ARCHITECTURAL
City of Las Vegas
FEB 09 2007
Does Not Include Electrical, Plumbing, Mechanical, Structural or CE-5/6/7/8/9/10/11/12/13/14/15/16/17/18/19/20/21/22/23/24/25/26/27/28/29/30/31/32/33/34/35/36/37/38/39/40/41/42/43/44/45/46/47/48/49/50/51/52/53/54/55/56/57/58/59/60/61/62/63/64/65/66/67/68/69/70/71/72/73/74/75/76/77/78/79/80/81/82/83/84/85/86/87/88/89/90/91/92/93/94/95/96/97/98/99/100/101/102/103/104/105/106/107/108/109/110/111/112/113/114/115/116/117/118/119/120/121/122/123/124/125/126/127/128/129/130/131/132/133/134/135/136/137/138/139/140/141/142/143/144/145/146/147/148/149/150/151/152/153/154/155/156/157/158/159/160/161/162/163/164/165/166/167/168/169/170/171/172/173/174/175/176/177/178/179/180/181/182/183/184/185/186/187/188/189/190/191/192/193/194/195/196/197/198/199/200/201/202/203/204/205/206/207/208/209/210/211/212/213/214/215/216/217/218/219/220/221/222/223/224/225/226/227/228/229/230/231/232/233/234/235/236/237/238/239/240/241/242/243/244/245/246/247/248/249/250/251/252/253/254/255/256/257/258/259/260/261/262/263/264/265/266/267/268/269/270/271/272/273/274/275/276/277/278/279/280/281/282/283/284/285/286/287/288/289/290/291/292/293/294/295/296/297/298/299/300/301/302/303/304/305/306/307/308/309/310/311/312/313/314/315/316/317/318/319/320/321/322/323/324/325/326/327/328/329/330/331/332/333/334/335/336/337/338/339/340/341/342/343/344/345/346/347/348/349/350/351/352/353/354/355/356/357/358/359/360/361/362/363/364/365/366/367/368/369/370/371/372/373/374/375/376/377/378/379/380/381/382/383/384/385/386/387/388/389/390/391/392/393/394/395/396/397/398/399/400/401/402/403/404/405/406/407/408/409/410/411/412/413/414/415/416/417/418/419/420/421/422/423/424/425/426/427/428/429/430/431/432/433/434/435/436/437/438/439/440/441/442/443/444/445/446/447/448/449/450/451/452/453/454/455/456/457/458/459/460/461/462/463/464/465/466/467/468/469/470/471/472/473/474/475/476/477/478/479/480/481/482/483/484/485/486/487/488/489/490/491/492/493/494/495/496/497/498/499/500/501/502/503/504/505/506/507/508/509/510/511/512/513/514/515/516/517/518/519/520/521/522/523/524/525/526/527/528/529/530/531/532/533/534/535/536/537/538/539/540/541/542/543/544/545/546/547/548/549/550/551/552/553/554/555/556/557/558/559/560/561/562/563/564/565/566/567/568/569/570/571/572/573/574/575/576/577/578/579/580/581/582/583/584/585/586/587/588/589/590/591/592/593/594/595/596/597/598/599/600/601/602/603/604/605/606/607/608/609/610/611/612/613/614/615/616/617/618/619/620/621/622/623/624/625/626/627/628/629/630/631/632/633/634/635/636/637/638/639/640/641/642/643/644/645/646/647/648/649/650/651/652/653/654/655/656/657/658/659/660/661/662/663/664/665/666/667/668/669/670/671/672/673/674/675/676/677/678/679/680/681/682/683/684/685/686/687/688/689/690/691/692/693/694/695/696/697/698/699/700/701/702/703/704/705/706/707/708/709/710/711/712/713/714/715/716/717/718/719/720/721/722/723/724/725/726/727/728/729/730/731/732/733/734/735/736/737/738/739/740/741/742/743/744/745/746/747/748/749/750/751/752/753/754/755/756/757/758/759/760/761/762/763/764/765/766/767/768/769/770/771/772/773/774/775/776/777/778/779/780/781/782/783/784/785/786/787/788/789/790/791/792/793/794/795/796/797/798/799/800/801/802/803/804/805/806/807/808/809/810/811/812/813/814/815/816/817/818/819/820/821/822/823/824/825/826/827/828/829/830/831/832/833/834/835/836/837/838/839/840/841/842/843/844/845/846/847/848/849/850/851/852/853/854/855/856/857/858/859/860/861/862/863/864/865/866/867/868/869/870/871/872/873/874/875/876/877/878/879/880/881/882/883/884/885/886/887/888/889/890/891/892/893/894/895/896/897/898/899/900/901/902/903/904/905/906/907/908/909/910/911/912/913/914/915/916/917/918/919/920/921/922/923/924/925/926/927/928/929/930/931/932/933/934/935/936/937/938/939/940/941/942/943/944/945/946/947/948/949/950/951/952/953/954/955/956/957/958/959/960/961/962/963/964/965/966/967/968/969/970/971/972/973/974/975/976/977/978/979/980/981/982/983/984/985/986/987/988/989/990/991/992/993/994/995/996/997/998/999/1000

CITY OF LAS VEGAS

 FIFTH STREET SCHOOL

 REHABILITATION

 BUILDING DEPARTMENT SUBMITTAL

 REVISED

 FEB 12 2007

 CITY OF LAS VEGAS

 REDEVELOPMENT AGENCY

 OWNER: CITY OF LAS VEGAS

 DEPARTMENT OF PUBLIC WORKS

 ARCHITECTURAL SERVICES

 400 EAST STEPHAN AVENUE

 LAS VEGAS, NEVADA 89101

 PHONE: (702) 388-8330

 FAX: (702) 388-4844

 TDD: (702) 388-9141

 DATE:

 INTERIOR ELEVATIONS

 DATE:

 12/12/2006

 SCALE:

 3/8" = 1'-0"

 SHEET NO:

 513-65E

 SHEET NO:

 A5.06

 REVISION 02/03

113299