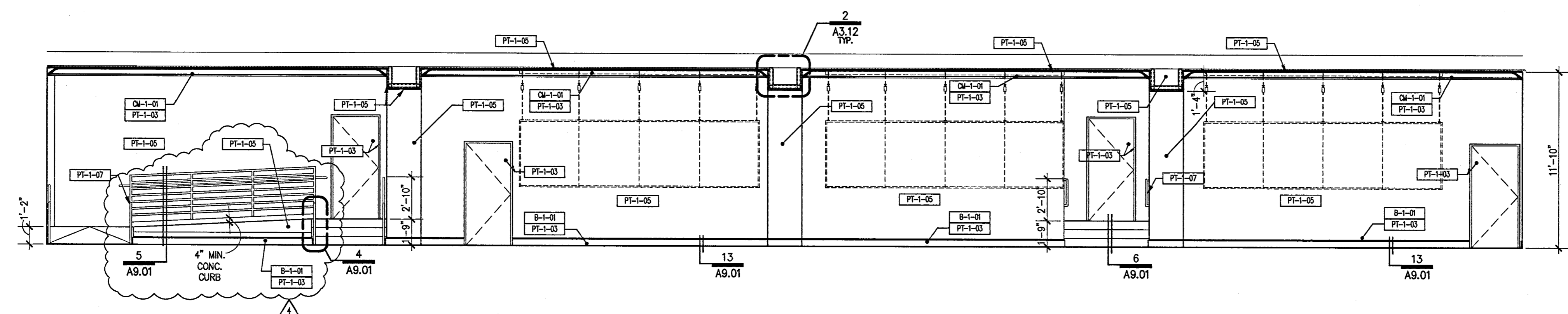


GALLERY - 106
SCALE: 1/4" = 1'-0"

723E25

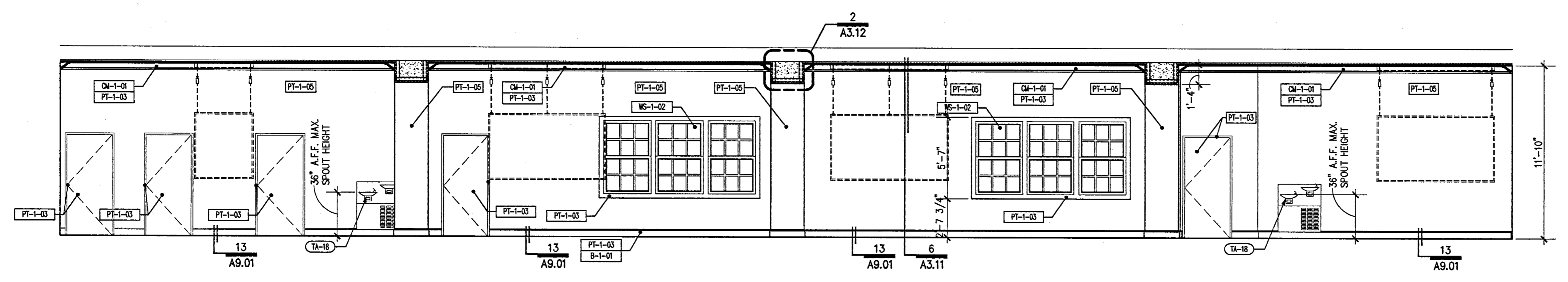
GALLERY - 106
SCALE: 1/4" = 1'-0"

723E29



GALLERY - 106
SCALE: 1/4" = 1'-0"

723E21



GALLERY - 106
SCALE: 1/4" = 1'-0"

723E27

TOILET ACCESSORIES

TA-#	DESCRIPTION
TA-1	SEM-RECESSED PAPER TOWEL DISPENSER/WASTE RECEPTACLE (BOBRICK B-3644). MOUNT TOP OF CABINET AT 60 1/2" A.F.F.
TA-2	COUNTER OR LAVATORY-MOUNTED LIQUID SOAP DISPENSER (BOBRICK B-822)
TA-3	FABRIC BURN GUARD-BOBRICK
TA-4	MIRROR-POLISHED EDGE
TA-5	PARTITION - MOUNTED MULTI-ROLL TOILET TISSUE AT 28" A.F.F. (BOBRICK B-4288)
TA-6	PARTITION - MOUNTED TOILET SEAT COVERS AND TOILET TISSUE DISPENSER (BOBRICK B-304)
TA-7	RECESSED TOILET SEAT COVER AND TOILET TISSUE DISPENSER (BOBRICK B-3571)
TA-8	GRAB BAR "L" SHAPED 36"X34" (BOBRICK B-5837). MOUNT CENTER OF BAR AT 34" A.F.F.
TA-9	TOILET PARTITION. SEE DETAIL 2/A9.07.
TA-10	SURFACE-MOUNTED PAPER TOWEL DISPENSER (BOBRICK B-262)
TA-11	GRAB BARS (BOBRICK B-5806) X 42". MOUNT CENTER OF BAR AT 34" A.F.F. WITH CENTER OF FLANGE AT 12" FROM BACK WALL. SEE DETAIL 4/A9.07.
TA-12	SEM-RECESSED TOILET PAPER DISPENSER (BOBRICK B-697)
TA-13	RECESSED PAPER TOWEL DISPENSER (BOBRICK B-3590)
TA-14	GRAB BAR "L" SHAPED 30" X 42" (BOBRICK B-5837). MOUNT CENTER OF BAR AT 34" A.F.F. SEE DETAIL 4/A9.07.
TA-15	SOAP DISPENSER (BOBRICK B-2112)
TA-16	TOILET SEAT COVER DISPENSER (BOBRICK B-4221)
TA-17	BABY CHANGING STATION (BOBRICK B-2210). DRINKING FOUNTAIN.
TA-18	CERAMIC TILE SHOWER BASE WITH DRAIN. SEE DETAIL 6/A9.07.
TA-19	DOOR STOP. SEE DETAIL 3/A9.07.
TA-20	12" CONCRETE LEDGE
TA-21	CARPET TO TILE FLOOR TRANSITION DETAIL. SEE DETAIL 5/A9.07.
TA-22	GARBAGE DISPOSAL
TA-23	URINAL SCREEN
TA-24	URINAL SCREEN

GENERAL NOTE

1. PROVIDE BACKING FOR ALL FIXTURES AND ACCESSORIES

INTERIOR FINISH SCHEDULE

KEY	DESCRIPTION
AF-1-01	ACOUSTIC WALL PANEL FABRIC-SEE FINISH SCHEDULE SHT. ID1.00/ID1.01
AP-1-01	ACOUSTIC WALL PANEL-SEE FINISH SCHEDULE SHT. ID1.00/ID1.01
AP-1-03	ACOUSTIC CEILING-SEE FINISH SCHEDULE SHT. ID1.00/ID1.01
B-1-01	CUSTOM BASE TO MATCH EXISTING-SEE FINISH SCHEDULE SHT. ID1.00/ID1.01
B-1-02	CUSTOM CROWN TO MATCH EXISTING-SEE FINISH SCHEDULE SHT. ID1.00/ID1.01
CM-1-01	C & A CHOAS 15021 CASSIA BARK SEE FINISH SCHEDULE SHT. ID1.00/ID1.01
CP-1-01	LITECONTROL - CIROS SEE FINISH SCHEDULE SHT. ID1.00/ID1.01
DL-1-01	WAC 1126 SEE FINISH SCHEDULE SHT. EG1.02
DL-1-04	WAC 1126 SEE FINISH SCHEDULE SHT. EG1.02
DL-1-06	STAGE - SEE FINISH SCHEDULE SHT. LT1.01 & LT1.02
DL-1-07	6" APERTURE - NON IC WHITE CLW-SEE FINISH SCHEDULE SHT. EG1.02
DL-1-08	PENDANT FIXTURE-SEE FINISH SCHEDULE SHT. EG1.02
HA-1-01	HANGING ART BRUSHED NICKEL SEE FINISH SCHEDULE SHT. ID1.00/ID1.01
LAM-1-01	LAMINATE-SEE FINISH SCHEDULE SHT. ID1.00/ID1.01
MB-1-01	MARKER/CORD BOARD CHERRY-SEE FINISH SCHEDULE SHT. ID1.00/ID1.01
PT-1-01	PAINT-SEE FINISH SCHEDULE SHT. ID1.00/ID1.01
PT-1-02	PAINT-SEE FINISH SCHEDULE SHT. ID1.00/ID1.01
PT-1-03	PAINT-SEE FINISH SCHEDULE SHT. ID1.00/ID1.01
PT-1-04	PAINT-SEE FINISH SCHEDULE SHT. ID1.00/ID1.01
PT-1-05	PAINT-SEE FINISH SCHEDULE SHT. ID1.00/ID1.01
PT-1-06	PAINT-SEE FINISH SCHEDULE SHT. ID1.00/ID1.01
PT-1-07	PAINT-SEE FINISH SCHEDULE SHT. ID1.00/ID1.01
PT-1-08	PAINT-SEE FINISH SCHEDULE SHT. ID1.00/ID1.01
SF-1-01	STAGE LAMINATE-SEE FINISH SCHEDULE SHT. ID1.00/ID1.01
SS-1-01	SOLID SURFACING COPPER NUGGET-SEE FINISH SCHEDULE SHT. ID1.00/ID1.01
SS-1-02	SOLID SURFACING BLACK LAVA-SEE FINISH SCHEDULE SHT. ID1.00/ID1.01
T-1-01	FIORITO NOCE FR21-SEE FINISH SCHEDULE SHT. ID1.00/ID1.01
T-1-02	KEYSTONES UNGLAZED BLACK-SEE FINISH SCHEDULE SHT. ID1.00/ID1.01
T-1-03	FIORITO NOCE FR21-SEE FINISH SCHEDULE SHT. ID1.00/ID1.01
T-1-04	FIORITO COTTA FR24-SEE FINISH SCHEDULE SHT. ID1.00/ID1.01
T-1-05	VILLAGE BLEND NOCE FR21-SEE FINISH SCHEDULE SHT. ID1.00/ID1.01
TP-1-01	POWDER COATED STEEL PARTITIONS-SEE FINISH SCHEDULE SHT. ID1.00/ID1.01
WD-1-01	WOOD FLOOR-SEE FINISH SCHEDULE SHT. ID1.00/ID1.01
WD-1-02	WOOD PANELS-SEE FINISH SCHEDULE SHT. ID1.00/ID1.01
WD-1-03	WOOD PANELS-SEE FINISH SCHEDULE SHT. ID1.00/ID1.01
WS-1-01	EQUINOX 0100-0110 NEUTRAL-MOTORIZED SEE FINISH SCHEDULE SHT. ID1.00/ID1.01
WS-1-02	WINDOWMATES - CREAM SEE FINISH SCHEDULE SHT. ID1.00/ID1.01

RECEIVED
FEB 08 2007
CITY OF LAS VEGAS
BUILDING DEPT.

PLANS APPROVED
ARCHITECTURAL
MECHANICAL, ELECTRICAL, PLUMBING,
STRUCTURAL, AND CIVIL ENGINEERING
CITY OF LAS VEGAS
JAN 24 2007

OWNER COMMENTS

KGA ARCHITECTURE
1400 EAST STEWART AVENUE
LAS VEGAS, NEVADA 89101
PHONE: (702) 252-8800
WWW.KGA-ARCHITECTURE.COM
FAX: (702) 252-8800
PACIFIC 702 307 3843

MECHANICAL - PLUMBING - ELECTRICAL - FIRE SAFETY - ACoustical - GENERAL BUILDING
BARBER DROTAR ASSOCIATES
STRUCTURAL ENGINEERS
PHONE: 702-39-8000

MECHANICAL - PLUMBING - ELECTRICAL - FIRE SAFETY - ACoustical - GENERAL BUILDING
ABA CONSULTING ENGINEERS
PHONE: 702-79-6200

MECHANICAL - PLUMBING - ELECTRICAL - FIRE SAFETY - ACoustical - GENERAL BUILDING
CDM LIGHTING DESIGN GROUP
PHONE: 88-28-0333

MECHANICAL - PLUMBING - ELECTRICAL - FIRE SAFETY - ACoustical - GENERAL BUILDING
UNWILKIND & ASSOCIATES
PHONE: 702-25-2099

COST ESTIMATING - FIDER HUNT
LEVELL & BAILEY
702-27-8888

MECHANICAL - PLUMBING - ELECTRICAL - FIRE SAFETY - ACoustical - GENERAL BUILDING
ENDELMAN AND ASSOCIATES
PHONE: 25-32-1462

CITY OF LAS VEGAS

FIFTH STREET SCHOOL REHABILITATION BUILDING DEPARTMENT SUBMITTAL

REVISION 12-27-07

CITY OF LAS VEGAS REDEVELOPMENT AGENCY

RECEIVED
FEB 08 2007
CITY OF LAS VEGAS
BUILDING DEPT.

OWNER: CITY OF LAS VEGAS DEPARTMENT OF PUBLIC WORKS ARCHITECTURAL SERVICES

440 EAST STEWART AVENUE
LAS VEGAS, NEVADA 89101
PHONE: (702) 252-8800
FAX: (702) 384-4846
TDD: (702) 386-9148

INTERIOR ELEVATIONS
DATE: 12/12/2006
SCALE: 3/8" = 1'-0"
SHEET NO: 513-65E

A5.03