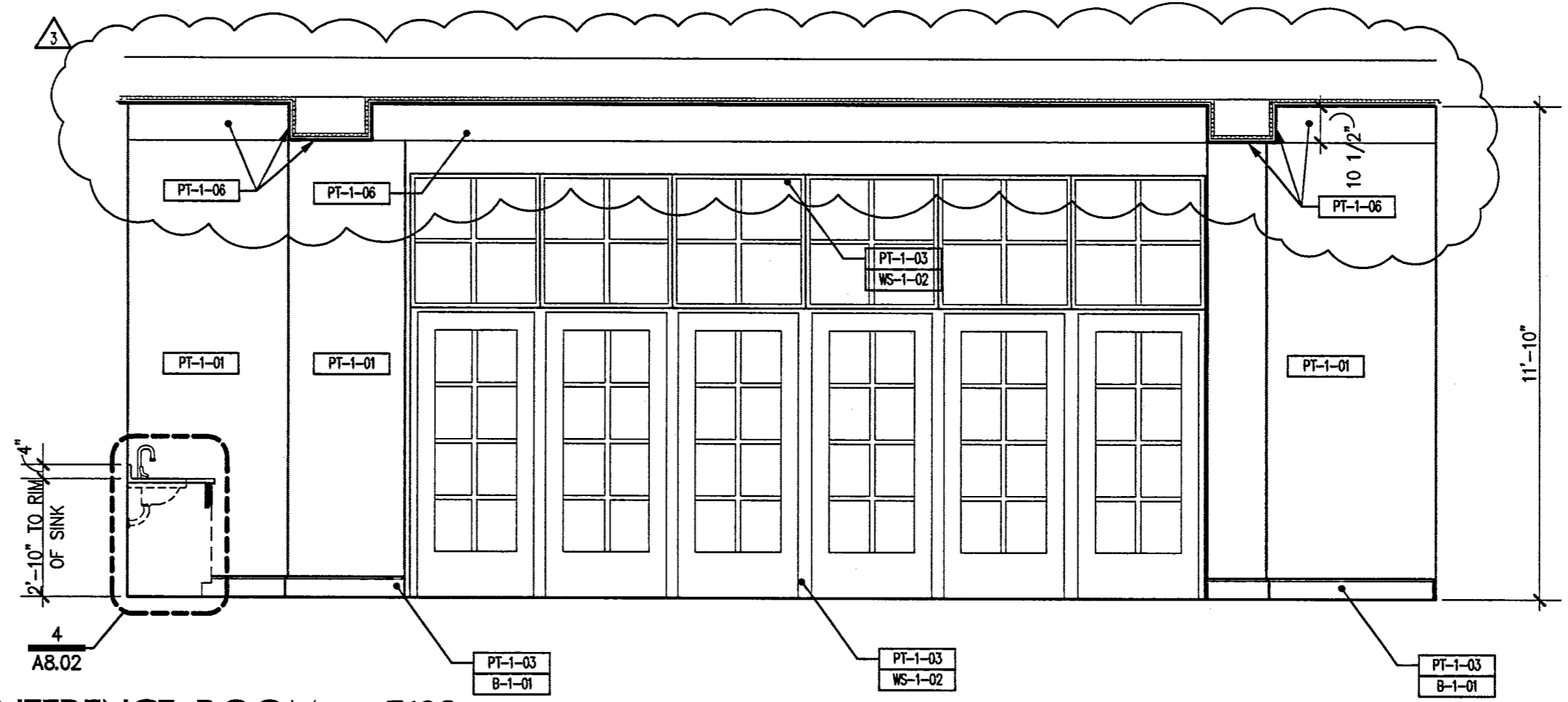


CONFERENCE ROOM - 103

SCALE: 3/8" = 1'-0"

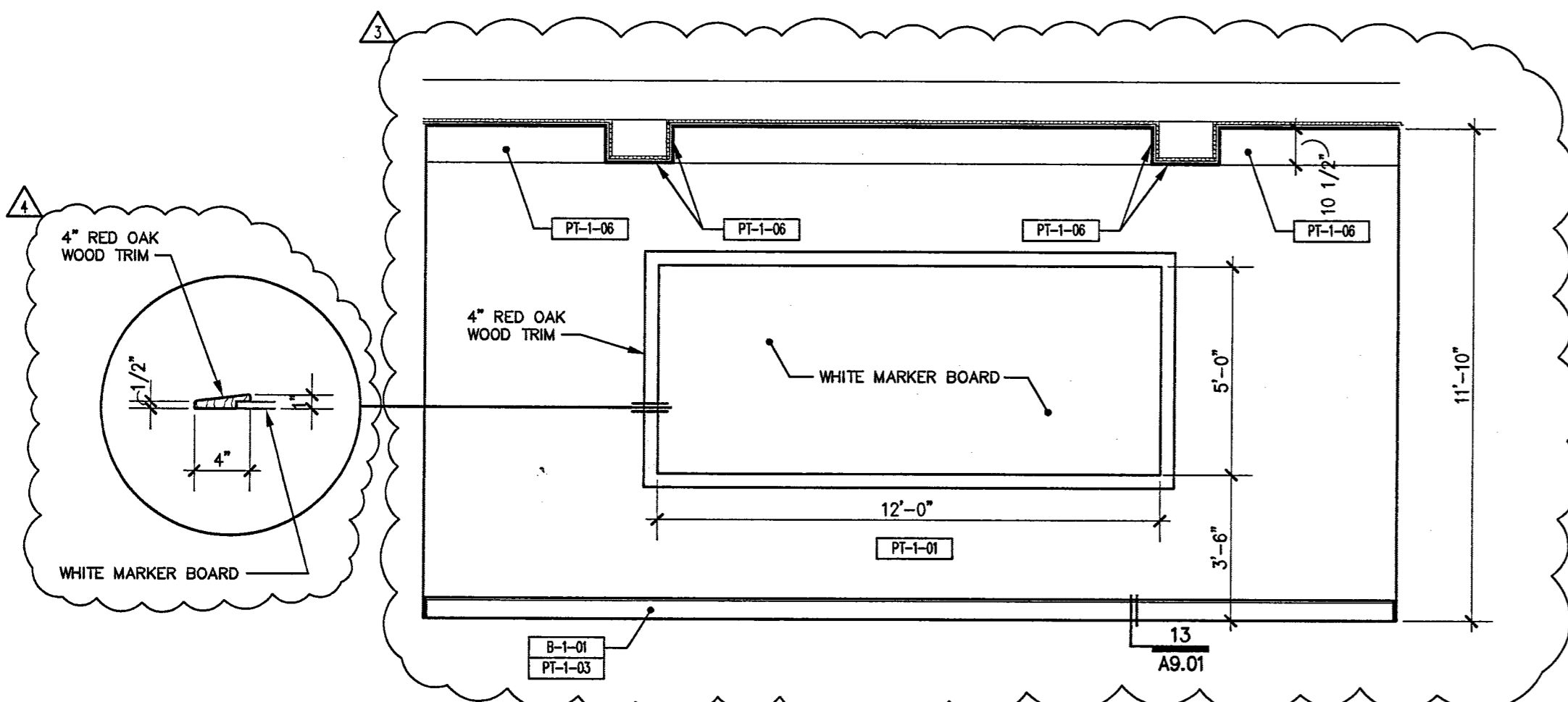
12



CONFERENCE ROOM - F103

SCALE: 3/8" = 1'-0"

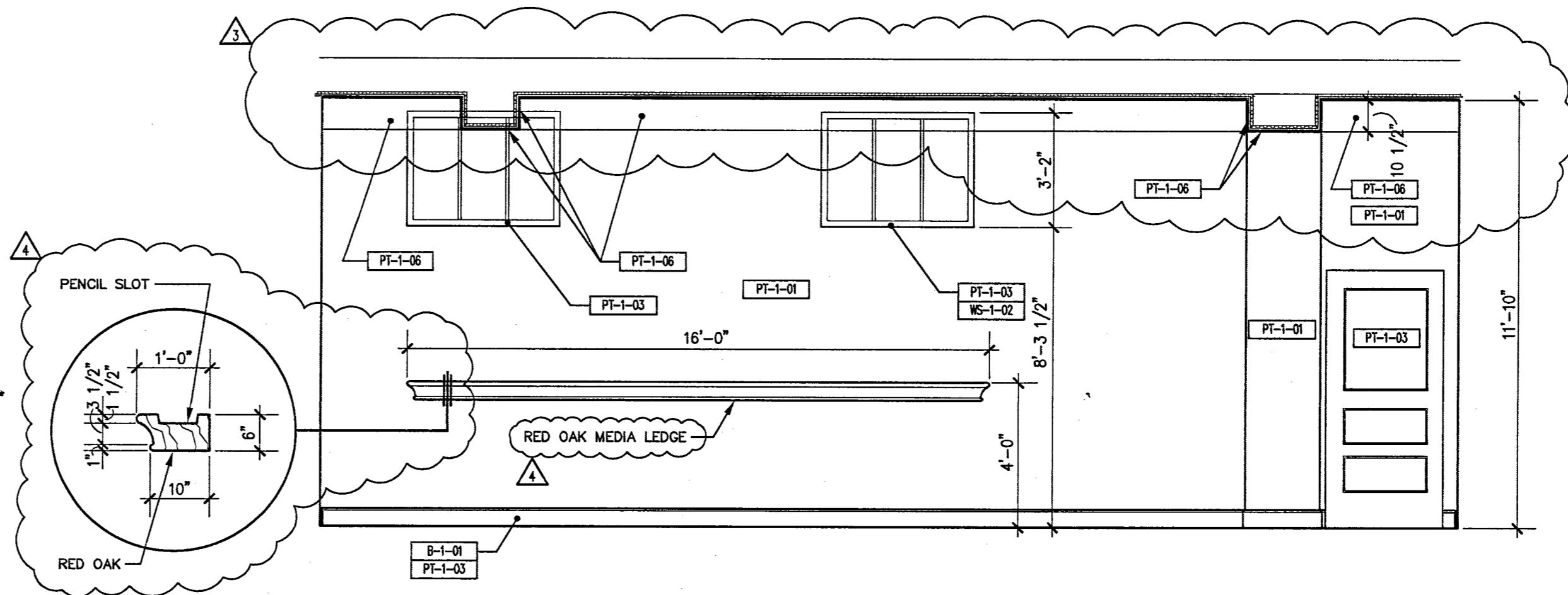
4



CONFERENCE ROOM - F103

SCALE: 3/8" = 1'-0"

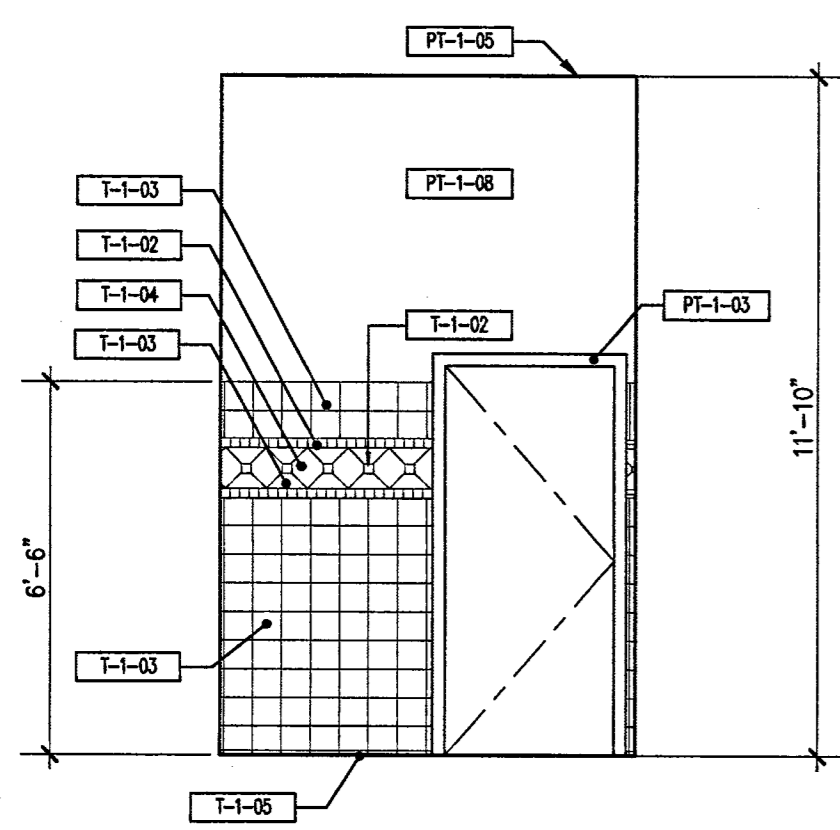
11



CONFERENCE ROOM - F103

SCALE: 3/8" = 1'-0"

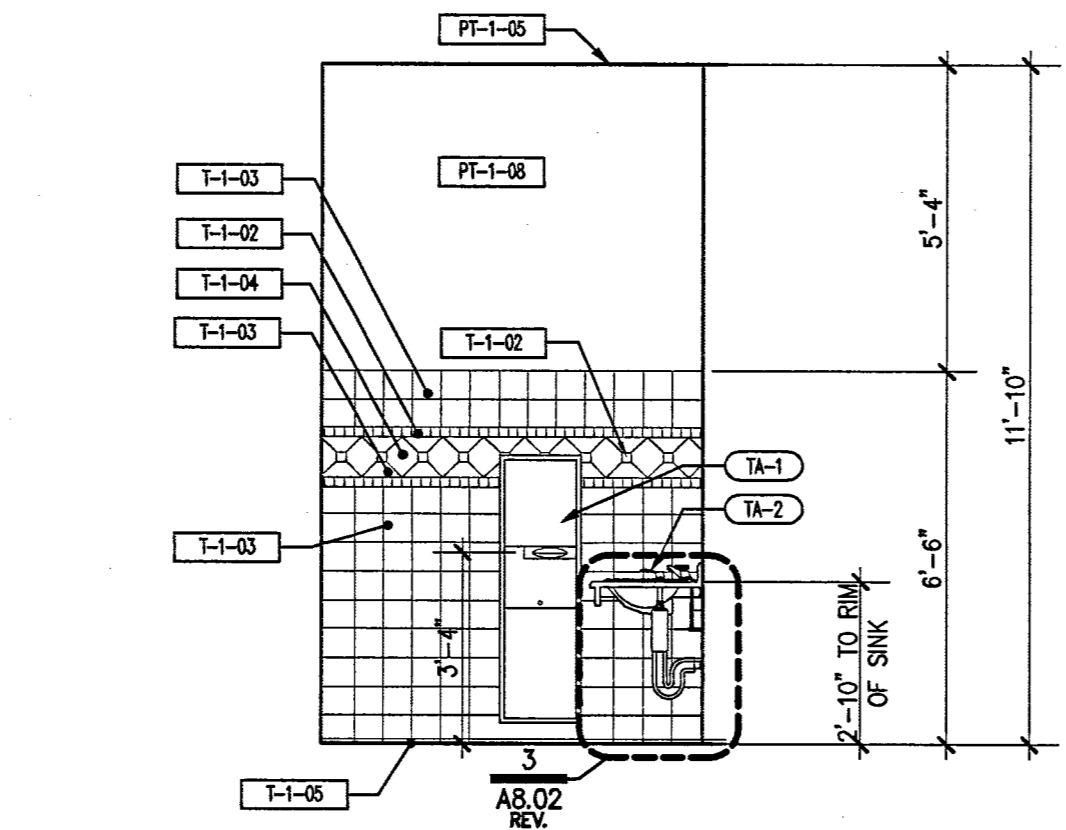
3



FAMILY RESTROOM - 112

SCALE: 3/8" = 1'-0"

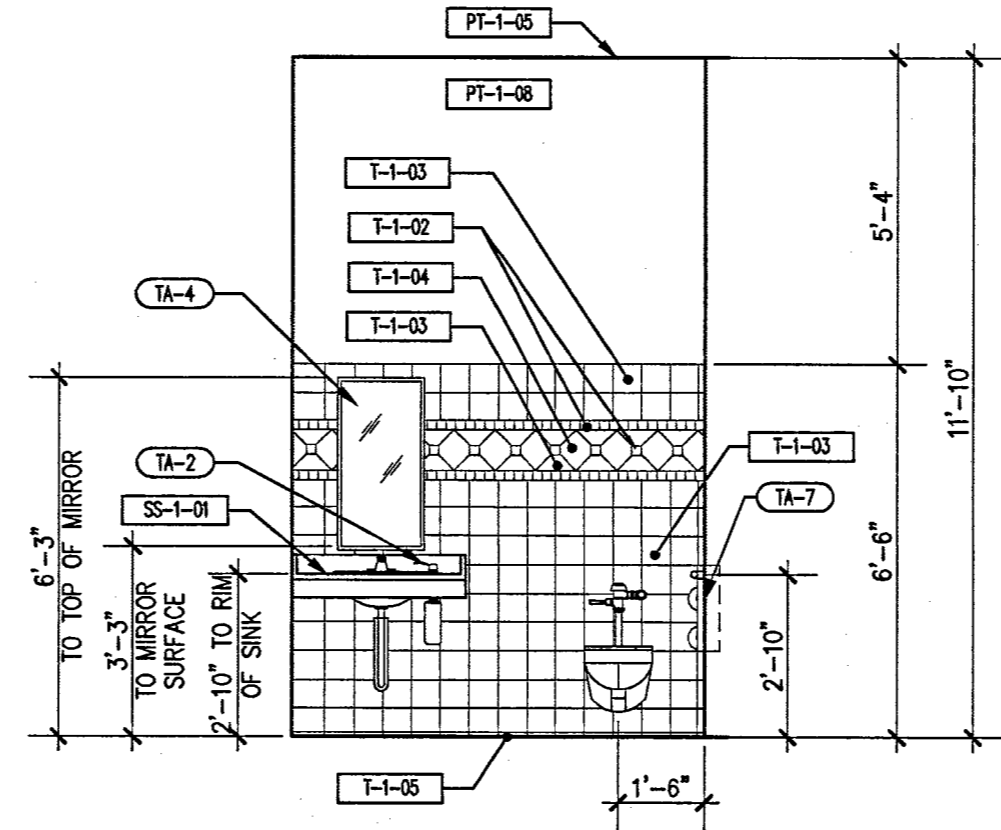
14



FAMILY RESTROOM - 112

SCALE: 3/8" = 1'-0"

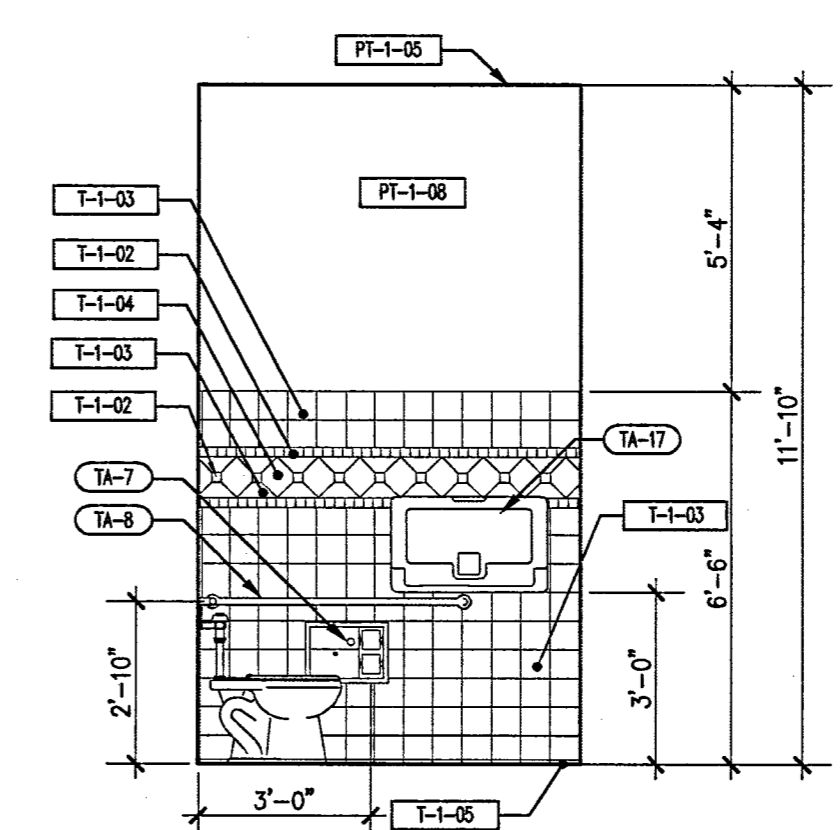
10



FAMILY RESTROOM - 112

SCALE: 3/8" = 1'-0"

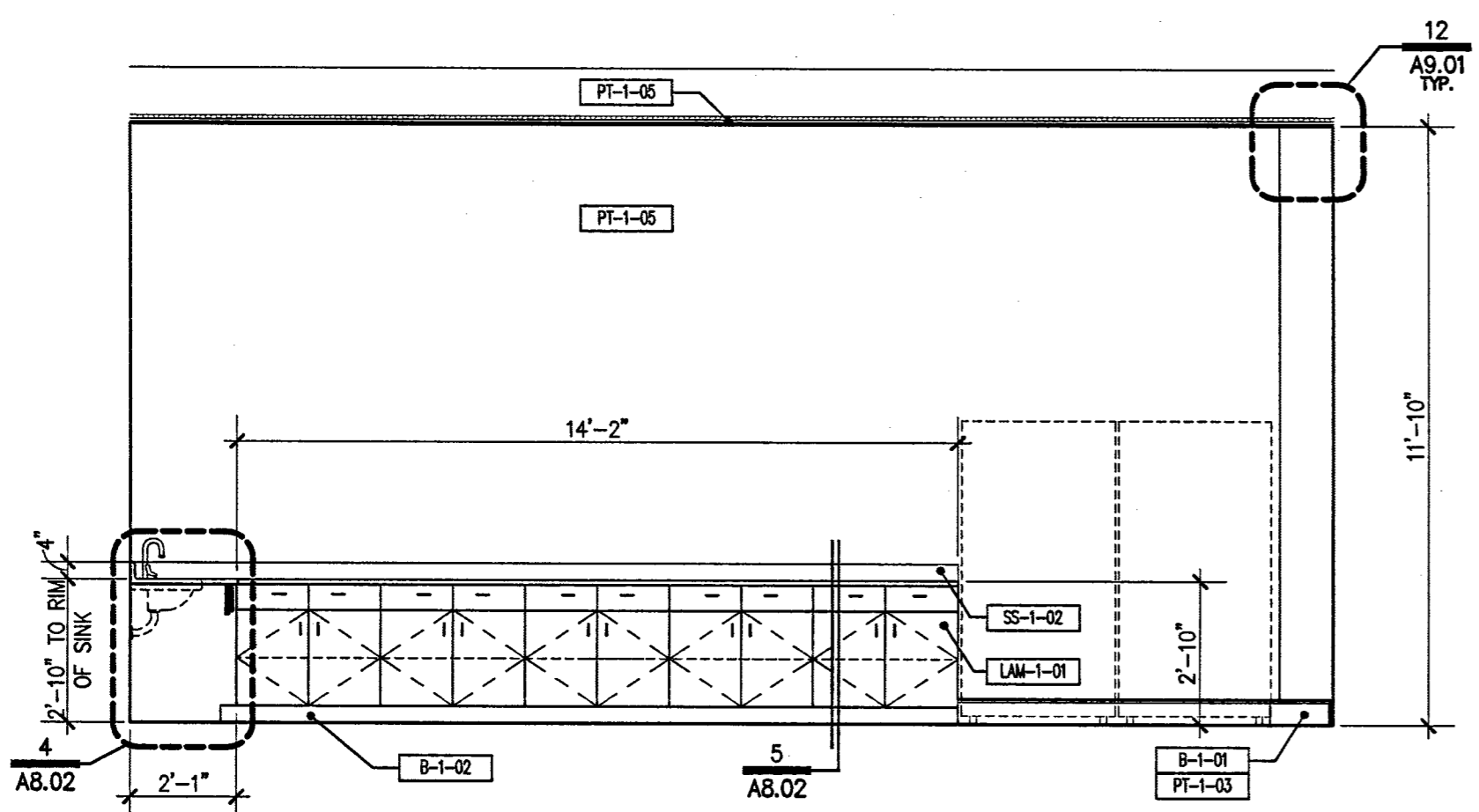
6



FAMILY RESTROOM - 112

SCALE: 3/8" = 1'-0"

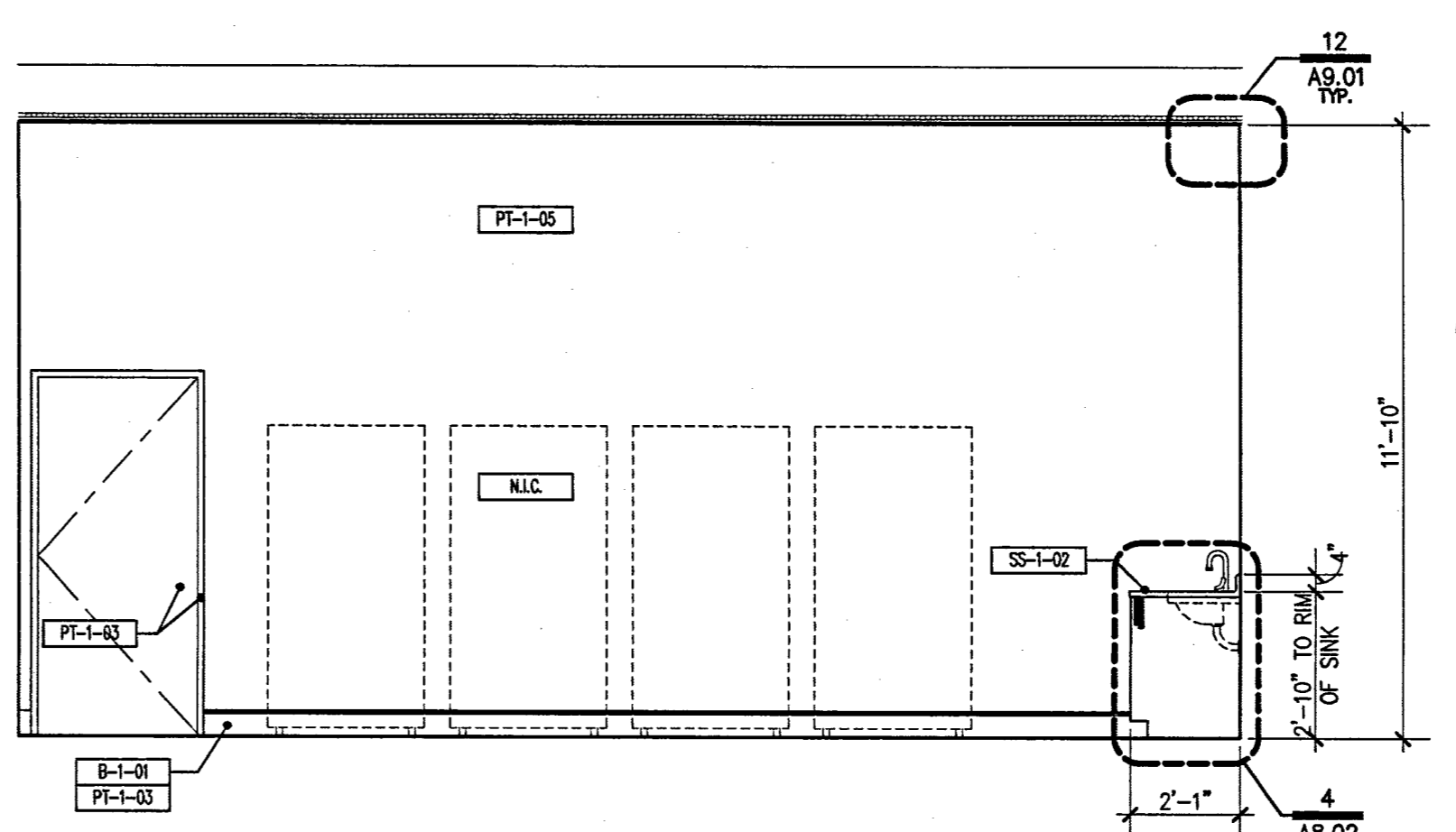
2



PREP ROOM - 107

SCALE: 3/8" = 1'-0"

9



PREP ROOM - 107

SCALE: 3/8" = 1'-0"

1

TOILET ACCESSORIES

TA-#	DESCRIPTION
TA-1	SEMI-RECESSED PAPER TOWEL DISPENSER/WASTE RECEPTACLE (BOBRICK B-3944). MOUNT TOP OF CABINET AT 60 1/2" A.F.F. COUNTER OR LAVATORY—MOUNTED LIQUID SOAP DISPENSER (BOBRICK B-822)
TA-2	FABRIC BURN GUARD-BOBRICK
TA-3	MIRROR-POLISHED EDGE
TA-4	PARTITION - MOUNTED MULTI-ROLL TOILET TISSUE AT 28" A.F.F. (BOBRICK B-4288)
TA-5	PARTITION - MOUNTED TOILET SEAT COVERS AND TOILET TISSUE DISPENSER (BOBRICK B-304)
TA-6	PARTITION - MOUNTED TOILET SEAT COVERS AND TOILET TISSUE DISPENSER (BOBRICK B-304)
TA-7	RECESSED TOILET SEAT COVER AND TOILET TISSUE DISPENSER (BOBRICK B-3571)
TA-8	GRAB BAR "L" SHAPED 36"x24" (BOBRICK B-5837). MOUNT CENTER OF BAR AT 34" A.F.F. SEE DETAIL 4/A9.07.
TA-9	TOILET PARTITION. SEE DETAIL 2/A9.07.
TA-10	SURFACE-MOUNTED PAPER TOWEL DISPENSER (BOBRICK B-282)
TA-11	GRAB BARS (BOBRICK B-3806) X 42". MOUNT CENTER OF BAR AT 34" A.F.F. WITH CENTER OF FLANGE AT 12" FROM BACK WALL. SEE DETAIL 4/A9.07.
TA-12	SEMI-RECESSED TOILET PAPER DISPENSER (BOBRICK B-697)
TA-13	RECESSED PAPER TOWEL DISPENSER (BOBRICK B-35903)
TA-14	GRAB BAR "L" SHAPED 30" X 42" (BOBRICK B-5837). MOUNT CENTER OF BAR AT 34" A.F.F. SEE DETAIL 4/A9.07.
TA-15	SOAP DISPENSER (BOBRICK B-2112)
TA-16	TOILET SEAT COVER DISPENSER (BOBRICK B-4221)
TA-17	BABY CHANGING STATION (BOBRICK B-2210)
TA-18	DRINKING FOUNTAIN.
TA-19	CERAMIC TILE SHOWER BASE WITH DRAIN. SEE DETAIL 6/A9.07.
TA-20	DOOR STOP. SEE DETAIL 3/A9.07.
TA-21	17" CONCRETE LEDGE.
TA-22	CARPET TO TILE FLOOR TRANSITION DETAIL. SEE DETAIL 5/A9.07.
TA-23	GARBAGE DISPOSAL.
TA-24	URINAL SCREEN.

GENERAL NOTE

1. PROVIDE BACKING FOR ALL FIXTURES AND ACCESSORIES.

INTERIOR FINISH SCHEDULE

KEY	DESCRIPTION
AF-1-01	ACOUSTIC WALL PANEL FABRIC—SEE FINISH SCHEDULE SHT. ID1.00/ID1.01
AP-1-01	ACOUSTIC WALL PANEL—SEE FINISH SCHEDULE SHT. ID1.00/ID1.01
AP-1-03	ACOUSTIC CEILING—SEE FINISH SCHEDULE SHT. ID1.00/ID1.01
B-1-01	CUSTOM BASE TO MATCH EXISTING—SEE FINISH SCHEDULE SHT. ID1.00/ID1.01
B-1-02	CUSTOM BASE TO MATCH EXISTING—SEE FINISH SCHEDULE SHT. ID1.00/ID1.01
CM-1-01	CUSTOM CROWN TO MATCH EXISTING—SEE FINISH SCHEDULE SHT. ID1.00/ID1.01
CP-1-01	C & A CHOAS 15021 CASSIA BARK SEE FINISH SCHEDULE SHT. ID1.00/ID1.01
DL-1-01	LITECONTROL - GROS SEE FINISH SCHEDULE SHT. EG1.02
DL-1-04	WAC 1126 SEE FINISH SCHEDULE SHT. EG1.02
DL-1-06	STAGE - SEE FINISH SCHEDULE SHT. LT1.01 & LT1.02
DL-1-07	6" APERTURE - NON IC WHITE CLW-SEE FINISH SCHEDULE SHT. EG1.02
DL-1-08	PENDANT FIXTURE-SEE FINISH SCHEDULE SHT. EG1.02
HA-1-01	HANGING ART BRUSHED NICKEL-SEE FINISH SCHEDULE SHT. ID1.00/ID1.01
LAM-1-01	LAMINATE-SEE FINISH SCHEDULE SHT. ID1.00/ID1.01
MB-1-01	MARKER/CORD BOARD CHERRY-SEE FINISH SCHEDULE SHT. ID1.00/ID1.01
PT-1-01	PAINT-SEE FINISH SCHEDULE SHT. ID1.00/ID1.01
PT-1-02	PAINT-SEE FINISH SCHEDULE SHT. ID1.00/ID1.01
PT-1-03	PAINT-SEE FINISH SCHEDULE SHT. ID1.00/ID1.01
PT-1-04	PAINT-SEE FINISH SCHEDULE SHT. ID1.00/ID1.01
PT-1-05	PAINT-SEE FINISH SCHEDULE SHT. ID1.00/ID1.01
PT-1-06	PAINT-SEE FINISH SCHEDULE SHT. ID1.00/ID1.01
PT-1-07	PAINT-SEE FINISH SCHEDULE SHT. ID1.00/ID1.01
PT-1-08	PAINT-SEE FINISH SCHEDULE SHT. ID1.00/ID1.01
SF-1-01	STAGE LAMINATE-SEE FINISH SCHEDULE SHT. ID1.00/ID1.01
SS-1-01	SOLID SURFACING COPPER NUGGET-SEE FINISH SCHEDULE SHT. ID1.00/ID1.01
T-1-01	FIORITO NOCE FR21-SEE FINISH SCHEDULE SHT. ID1.00/ID1.01
T-1-02	KEYSTONES UNGLAZED BLACK-SEE FINISH SCHEDULE SHT. ID1.00/ID1.01
T-1-03	FIORITO NOCE FR21-SEE FINISH SCHEDULE SHT. ID1.00/ID1.01
T-1-04	FIORITO COTTA FR24-SEE FINISH SCHEDULE SHT. ID1.00/ID1.01
T-1-05	VILLAGE BLEND NOCE FR21-SEE FINISH SCHEDULE SHT. ID1.00/ID1.01
TP-1-01	POWDER COATED STEEL PARTITIONS-SEE FINISH SCHEDULE SHT. ID1.00/ID1.01
WD-1-01	WOOD FLOOR-SEE FINISH SCHEDULE SHT. ID1.00/ID1.01
WD-1-02	WOOD PANELS-SEE FINISH SCHEDULE SHT. ID1.00/ID1.01
WD-1-03	WOOD PANELS-SEE FINISH SCHEDULE SHT. ID1.00/ID1.01
WS-1-01	EQUINOX 0100-0110 NEUTRAL-MOTORIZED SEE FINISH SCHEDULE SHT. ID1.00/ID1.01
WS-1-02	WINDOWMATES - GREAM SEE FINISH SCHEDULE SHT. ID1.00/ID1.01

NUMBER	AREA	ABBREVIATION
XXX-XX-XX		

CITY OF LAS VEGAS

FIFTH STREET SCHOOL REHABILITATION BUILDING DEPARTMENT SUBMITTAL

REVISED 2-27-07

CITY OF LAS VEGAS REDEVELOPMENT AGENCY

RECEIVED FEB 08 2007 CITY OF LAS VEGAS BUILDING DEPT.

PLANS APPROVED ARCHITECTURAL
 Qualified as a Specialty Dept. City of Las Vegas
 FEB 09 2007

OWNER: CITY OF LAS VEGAS DEPARTMENT OF PUBLIC WORKS ARCHITECTURAL SERVICES

400 EAST STEWART AVENUE LAS VEGAS, NEVADA 89101 PHONE: (702) 229-6535 FAX: (702) 386-6946 TDD: (702) 386-9108

INTERIOR ELEVATIONS
 12/12/2006
 SCALE: 3/8" = 1'-0"
 SHEET: 513-63E

A5.02