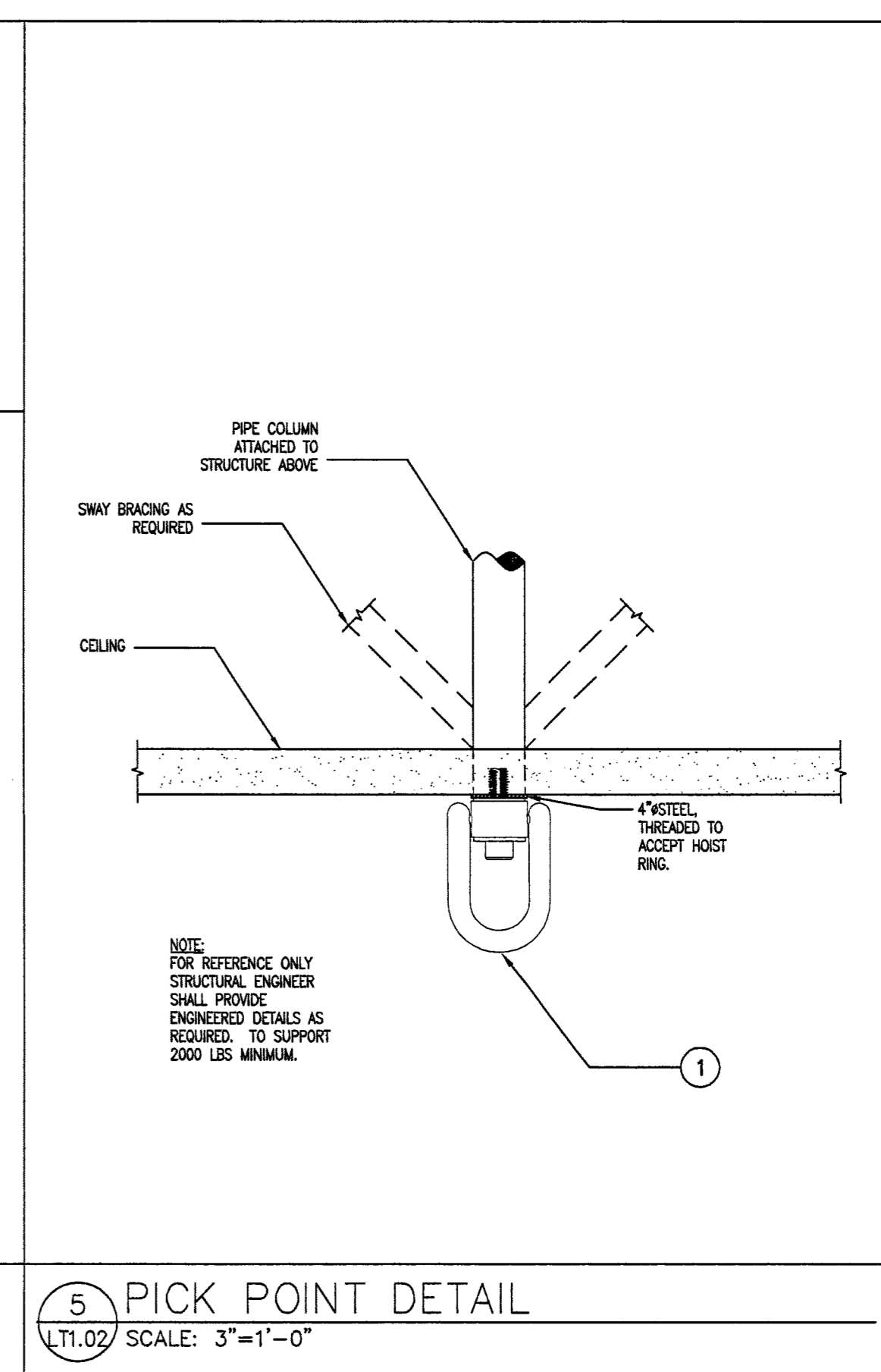
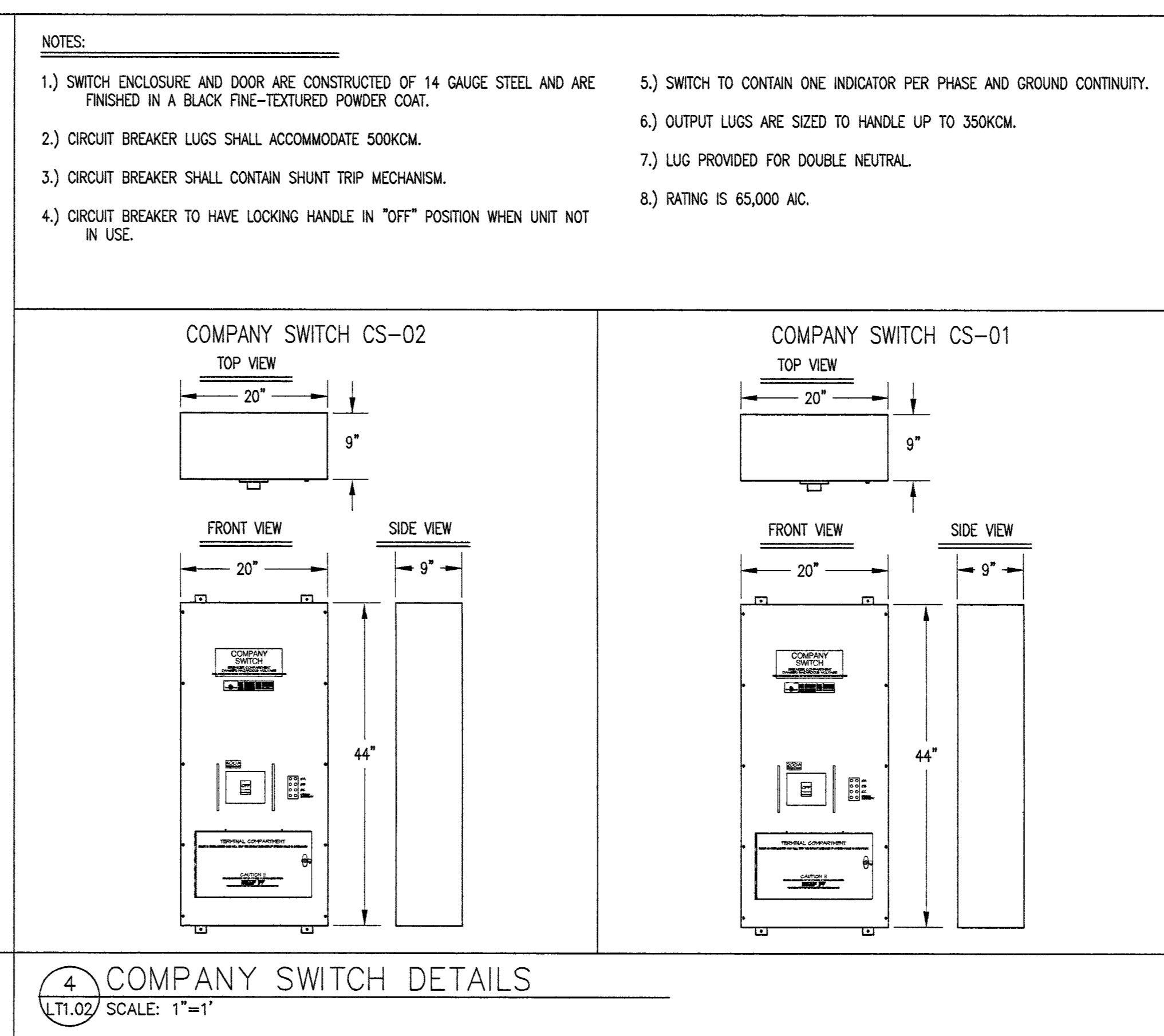
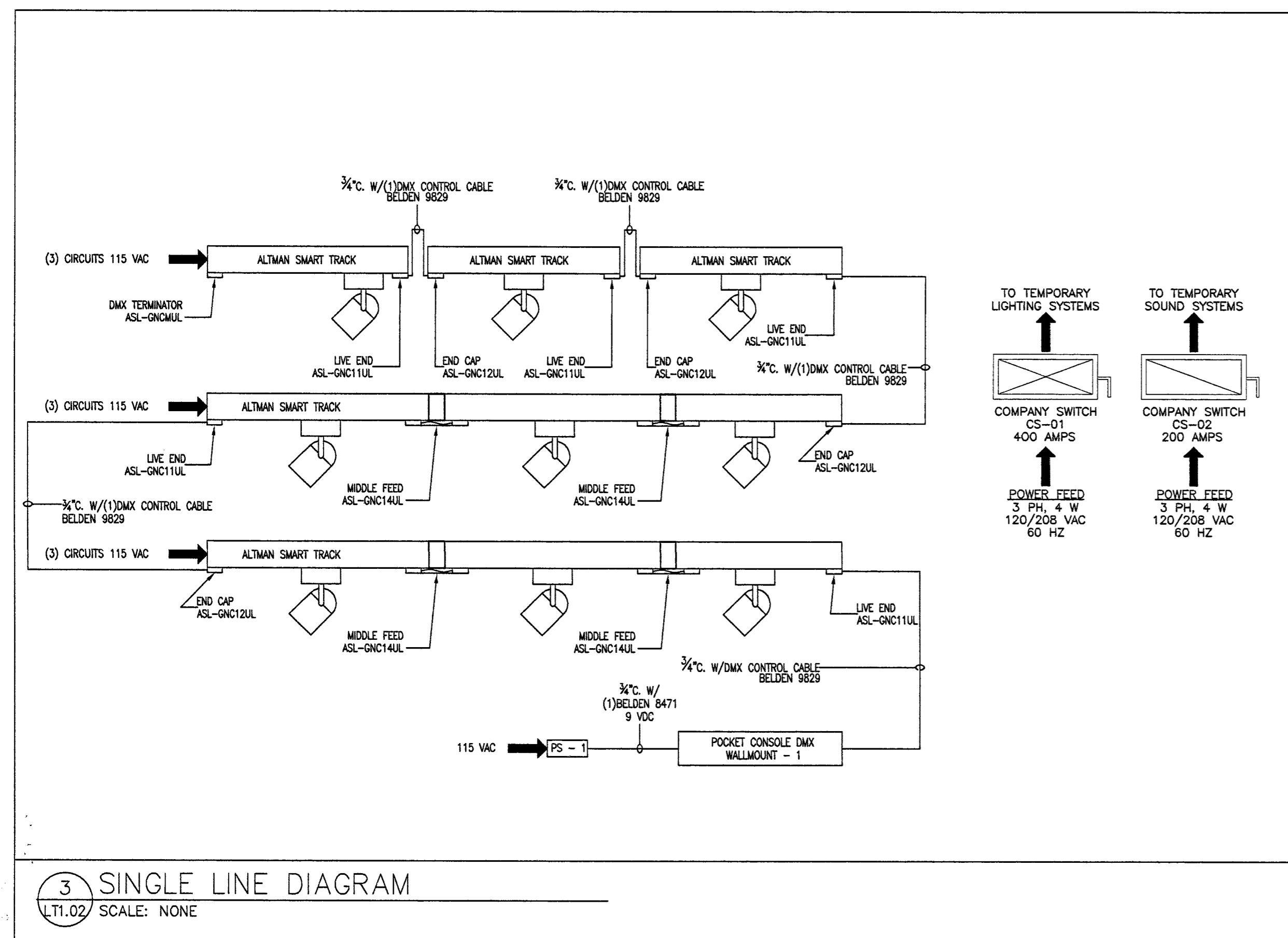
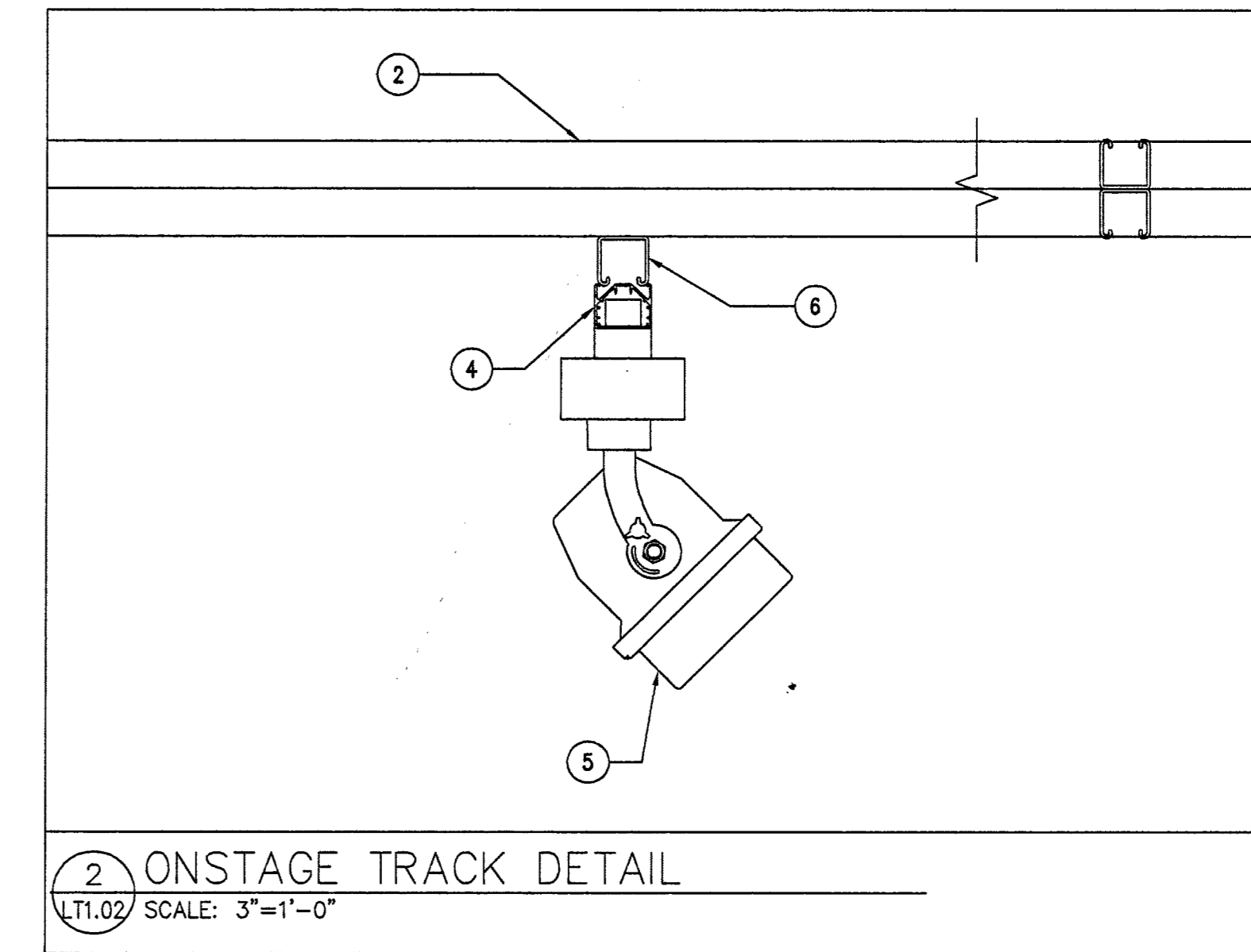


GENERAL NOTES

REFER TO SHEET E1.11 FOR ALL NON-THEATRICAL LIGHTING.
 REFER TO SHEET E1.11 FOR POWER.
 WORK TO BE DONE BY GENERAL CONTRACTOR AND ELECTRICAL CONTRACTOR.

NOTE NUMBER	NOTE DESCRIPTION
1	PICKPOINTS FOR HANGING TRUSS/PIPE FOR FUTURE LIGHTING POSITIONS OVER AUDIENCE AREA. 1000 POUNDS MAX POINT LOAD. TYPICAL OF 08.
2	STRUCTURAL UNISTRUT P1001 BEAMS FOR HANGING TRUSS/PIPE FOR FUTURE TEMPORARY LIGHTING POSITIONS AND CURTAINS OVER STAGE. TYPICAL OF 5. ATTACH TO STRUCTURE ABOVE TO SUPPORT MIN. 100LBS PER LINEAR FOOT. WORK TO BE DONE BY G.C.
3	POSSIBLE TRUSS AND HOIST FOR TEMPORARY LIGHTING POSITIONS. SHOWN FOR REFERENCE ONLY.
4	DMX SMART TRACK LIGHTING SYSTEM FOR PERMANENT LECTURE LIGHTING. WORK TO BE DONE BY E.C.
5	DMX SMART 250W FIXTURE WITH INTEGRATED DIMMER FOR PERMANENT LECTURE LIGHTING. TYPICAL OF 30.
6	STRUCTURAL UNISTRUT P1000 FOR MOUNTING SMART TRACK SYSTEM. WORK TO BE DONE BY G.C.



OWNER REVISIONS
 01/04/07

CONSULTANT
KGA
 ARCHITECTS
 4800 SOUTH POLARIS AVENUE
 LAS VEGAS, NEVADA 89121
 WWW.KGARCHITECTS.COM
 TELEPHONE (702) 366-3800
 FACSIMILE (702) 366-3804

MECHANICAL
HERITAGE ARCHITECTURE & PLANNING
 1000 S. 2ND ST.
 SUITE 100
 LAS VEGAS, NV 89101
 PHONE (702) 399-7888

ONE -
 VTH
 NEVADA
 PHONE (702) 477-7700

STRUCTURAL -
SAHMER ORTUTTA ASSOCIATES
 STRUCTURAL ENGINEERS
 1000 S. 2ND ST.
 SUITE 100
 LAS VEGAS, NV 89101
 PHONE (702) 399-7888

MECHANICAL - PLUMBING - ELECTRICAL -
 FIRE SAFETY - ACoustical - CIVIL/landscape
JSA CONSULTING ENGINEERS
 1000 S. 2ND ST.
 SUITE 100
 LAS VEGAS, NV 89101
 PHONE (702) 399-7888

STAGE LIGHTING & DESIGN -
CELESTIAL LIGHTING DESIGN GROUP
 1000 S. 2ND ST.
 SUITE 100
 LAS VEGAS, NV 89101
 PHONE (702) 399-7888

LANDSCAPE -
JWZILBERG & ASSOCIATES
 1000 S. 2ND ST.
 SUITE 100
 LAS VEGAS, NV 89101
 PHONE (702) 399-7888

COURT DRAWING -
RIDER HUNT LEVETT & SABLEY
 1000 S. 2ND ST.
 SUITE 100
 LAS VEGAS, NV 89101
 PHONE (702) 399-7888

ADA ACCESSIBILITY
ENDELMAN AND ASSOCIATES
 1000 S. 2ND ST.
 SUITE 100
 LAS VEGAS, NV 89101
 PHONE (702) 399-7888

CITY OF LAS VEGAS
 NEVADA

FIFTH STREET SCHOOL
 REHABILITATION
 BUILDING DEPARTMENT SUBMITTAL

REVISED
 01/04/07

CITY OF LAS VEGAS
 REDEVELOPMENT AGENCY

CD+M
 Lighting Design Group

OWNER: CITY OF LAS VEGAS
 DEPARTMENT OF PUBLIC WORKS
 ARCHITECTURAL SERVICES

400 EAST STEWART AVENUE
 LAS VEGAS, NEVADA 89101
 PHONE: (702) 229-5535
 FAX: (702) 229-5535
 TDD: (702) 229-5535

SCALE
 FILE
 DETAILS
 DATE
 01/04/2007
 SCALE
 AS NOTED
 SHEET NO.

CHECKED
 513-65E

DRAWN
 113392

LT.02