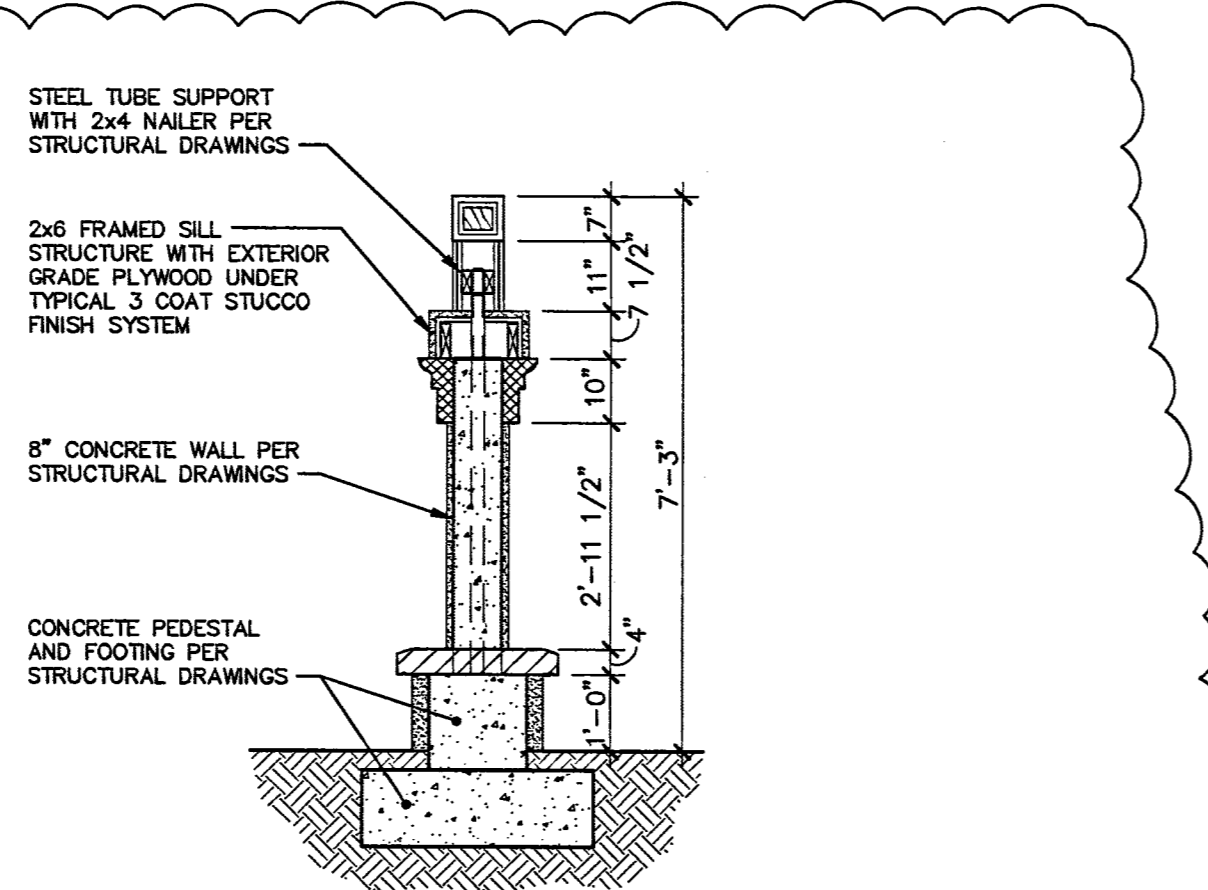
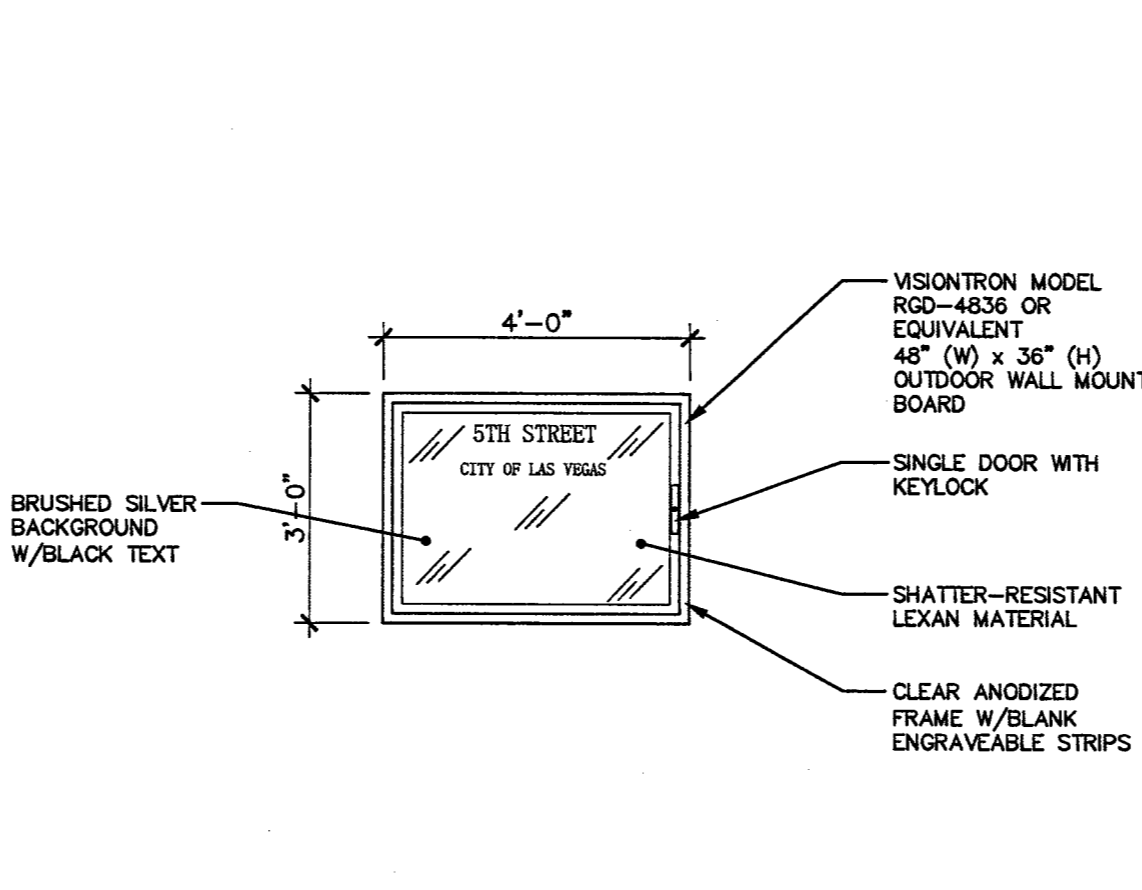


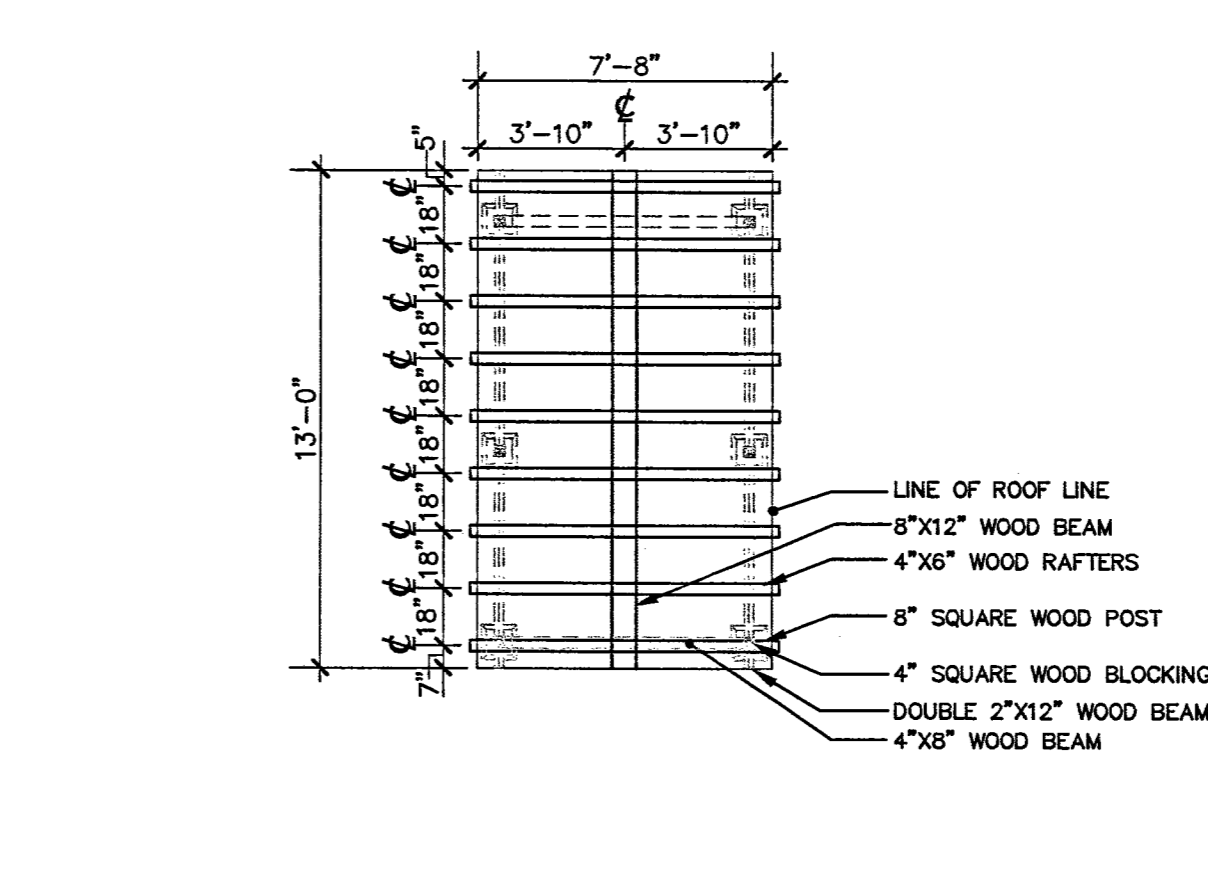
MONUMENT FRONT SECTION 16
SCALE: 1/2" = 1'-0"



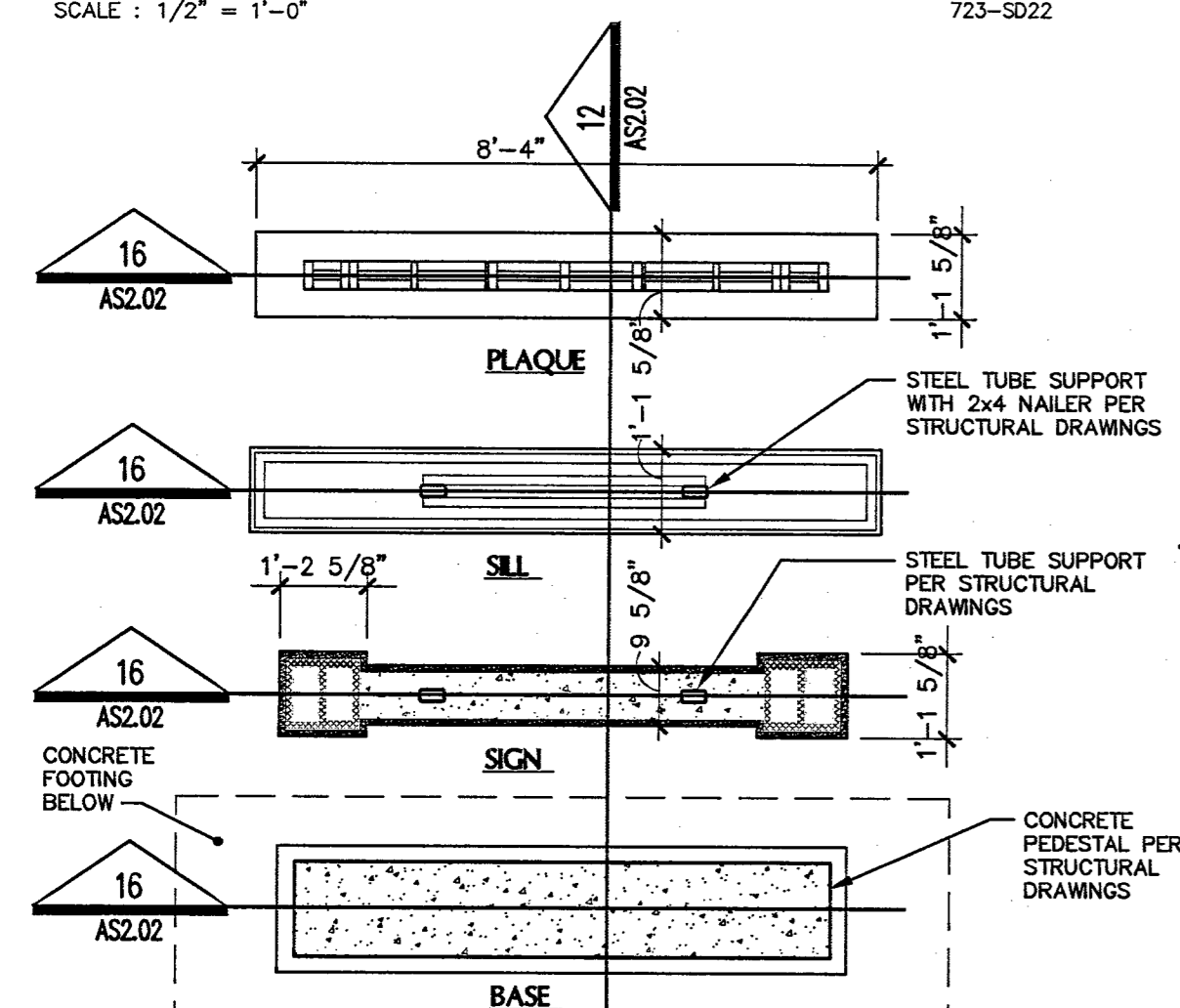
MONUMENT SIDE SECTION 12
SCALE: 1/2" = 1'-0"



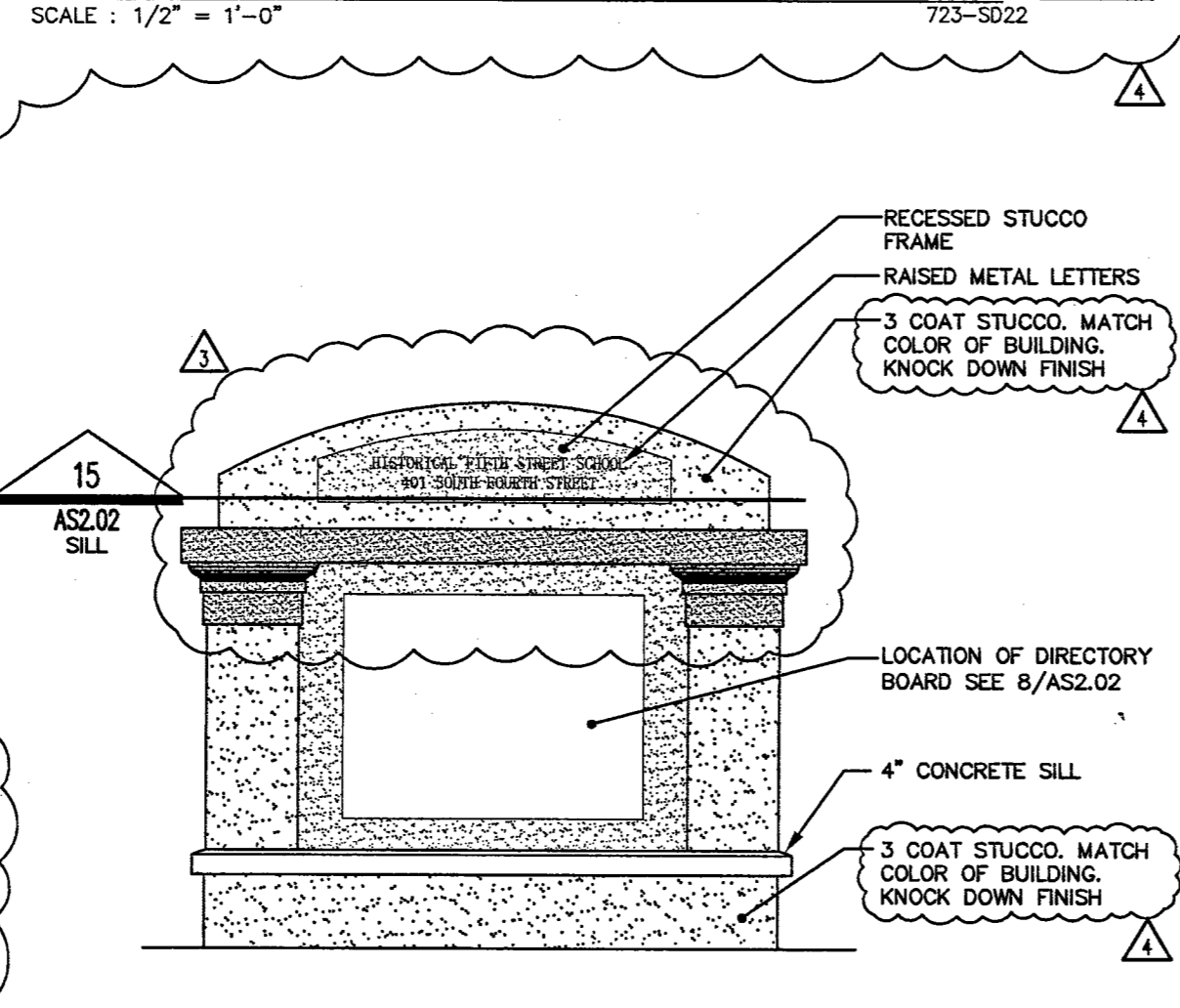
STRIP DIRECTORY BOARD 8
SCALE: 1/2" = 1'-0"



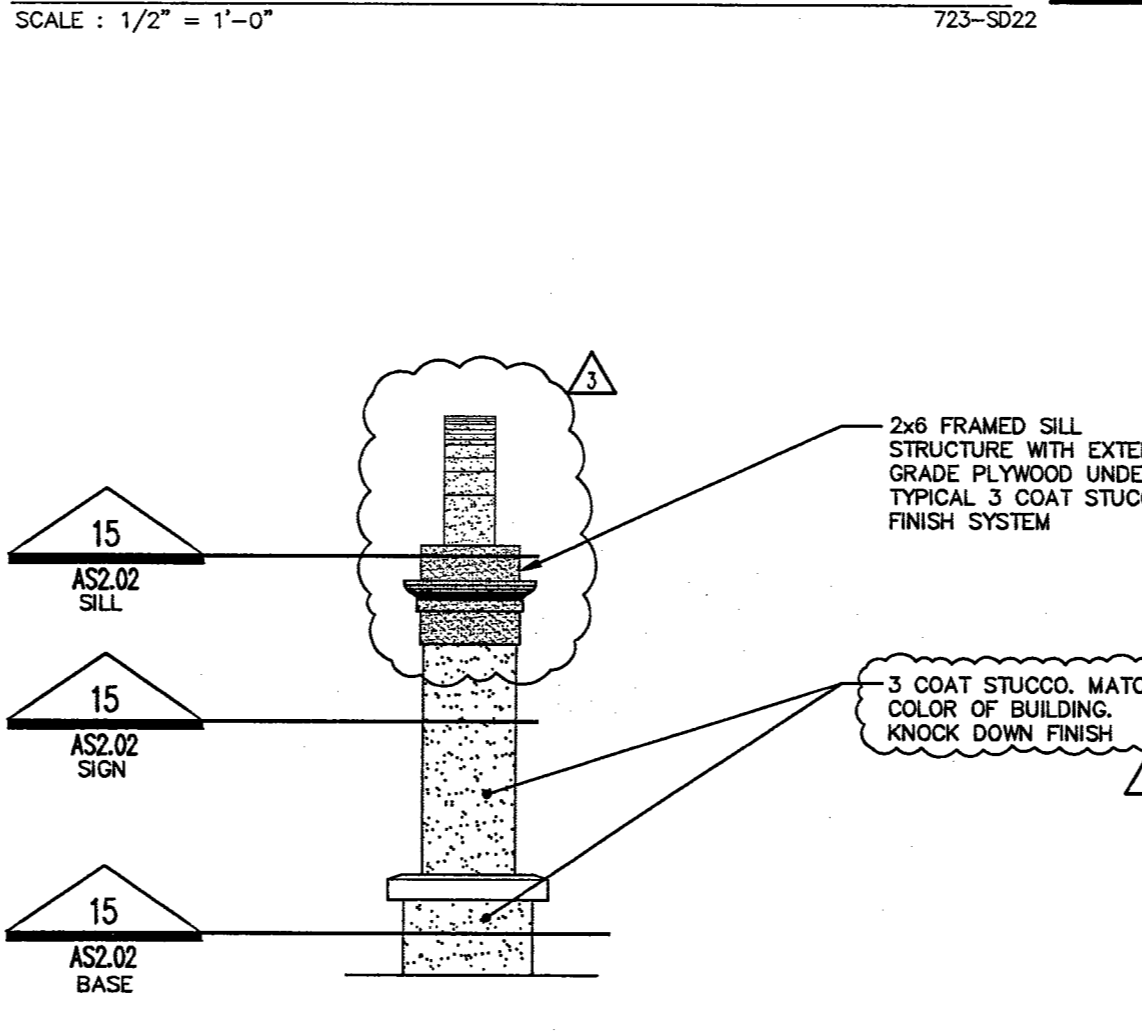
BUS SHELTER ROOF DIAGRAM 4
SCALE: 1/4" = 1'-0"



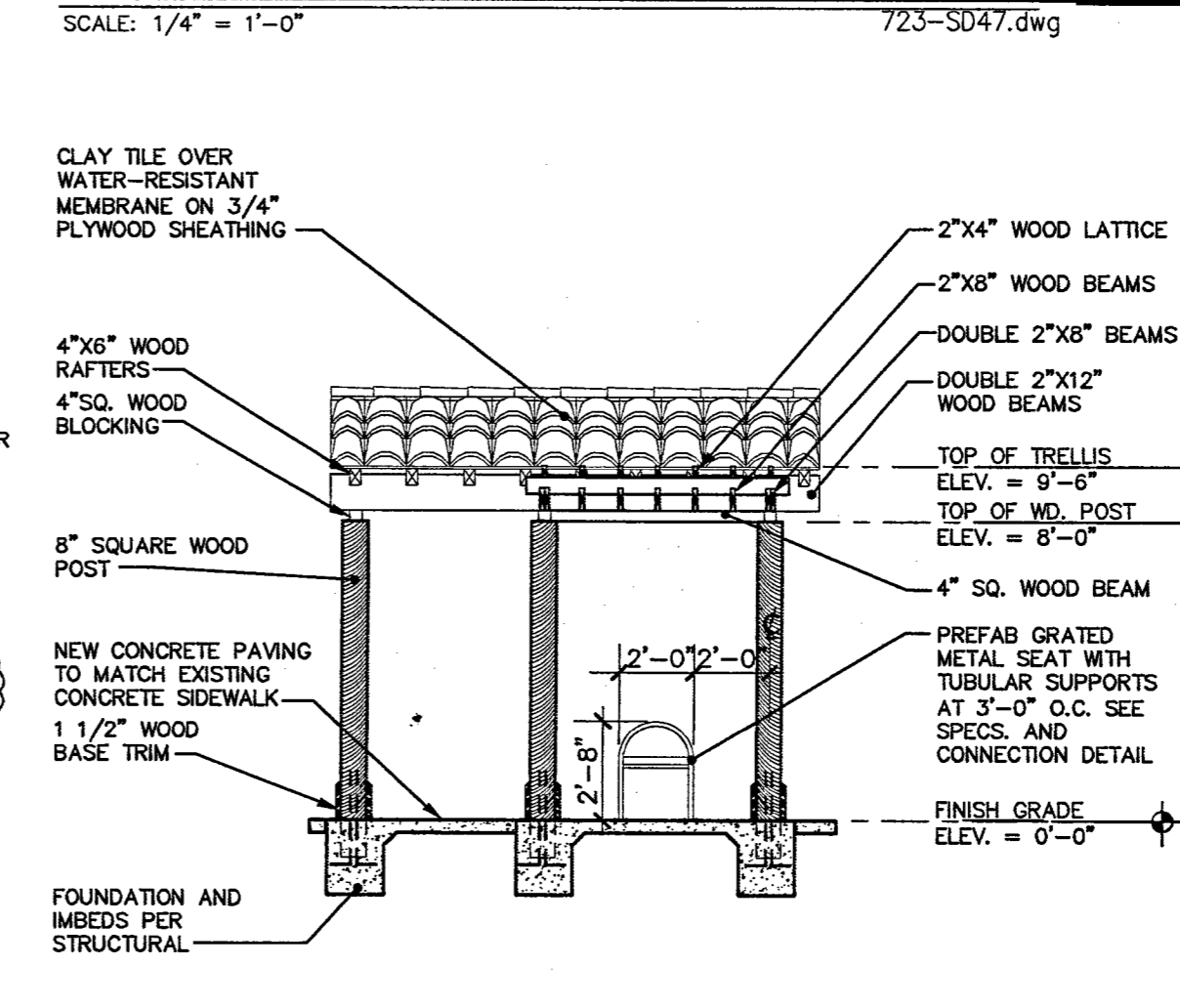
MONUMENT PLAN 15
SCALE: 1/2" = 1'-0"



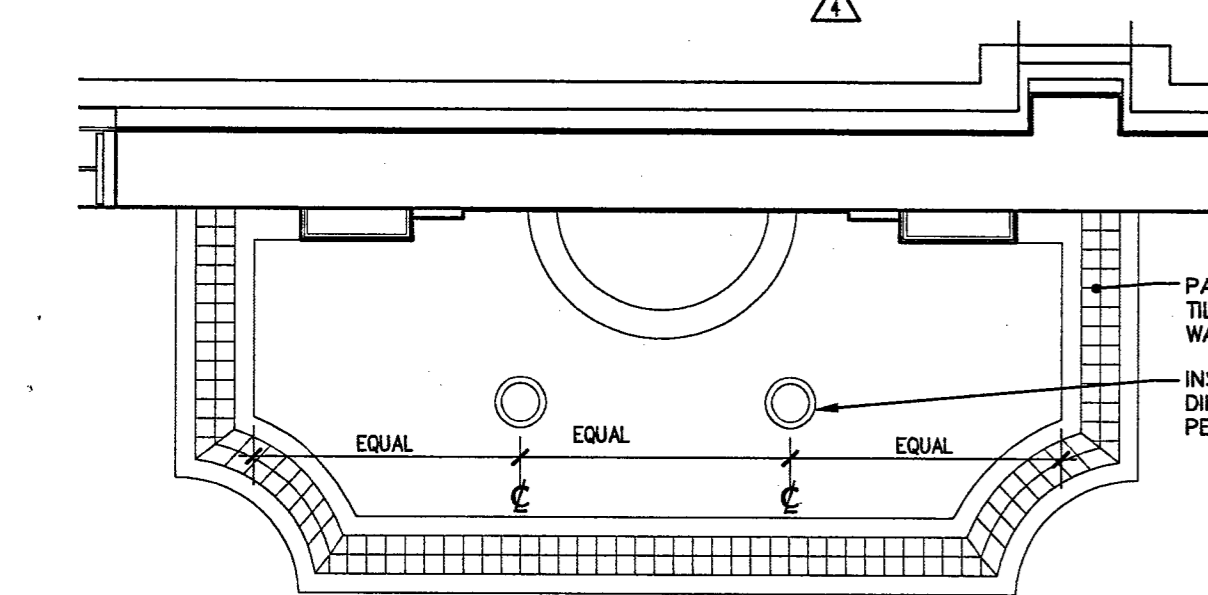
MONUMENT ELEVATION 11
SCALE: 1/2" = 1'-0"



MONUMENT ELEVATION 7
SCALE: 1/2" = 1'-0"



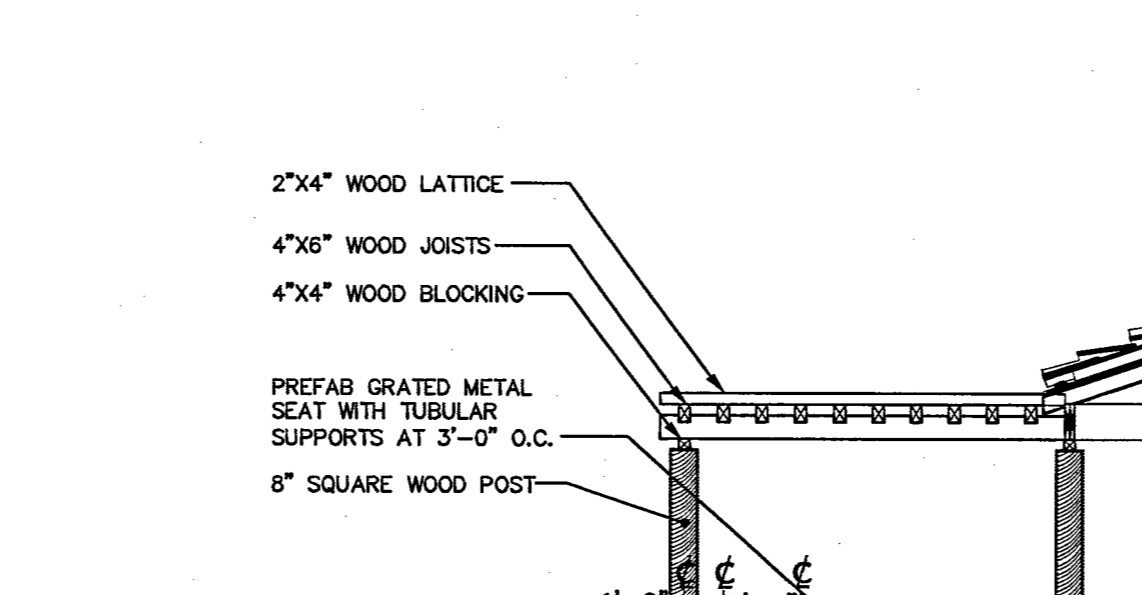
BUS SHELTER SECTION- B 3
SCALE: 1/4" = 1'-0"



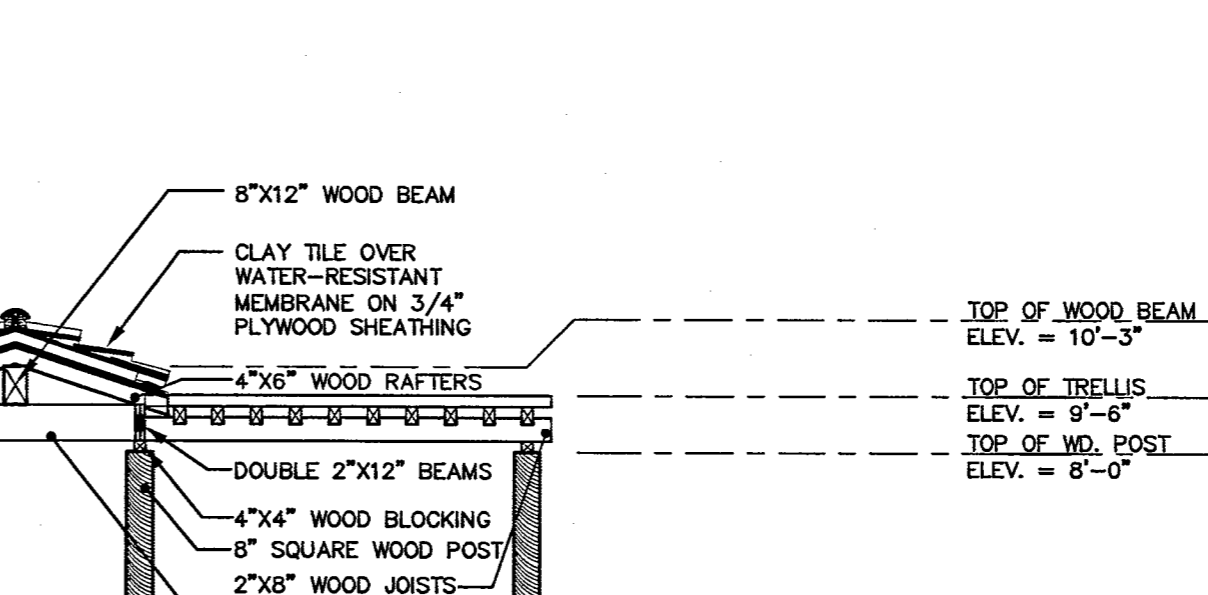
ENLARGED FOUNTAIN PLAN 14
SCALE: 1/4" = 1'-0"



MONUMENT ELEVATION 11
SCALE: 1/2" = 1'-0"



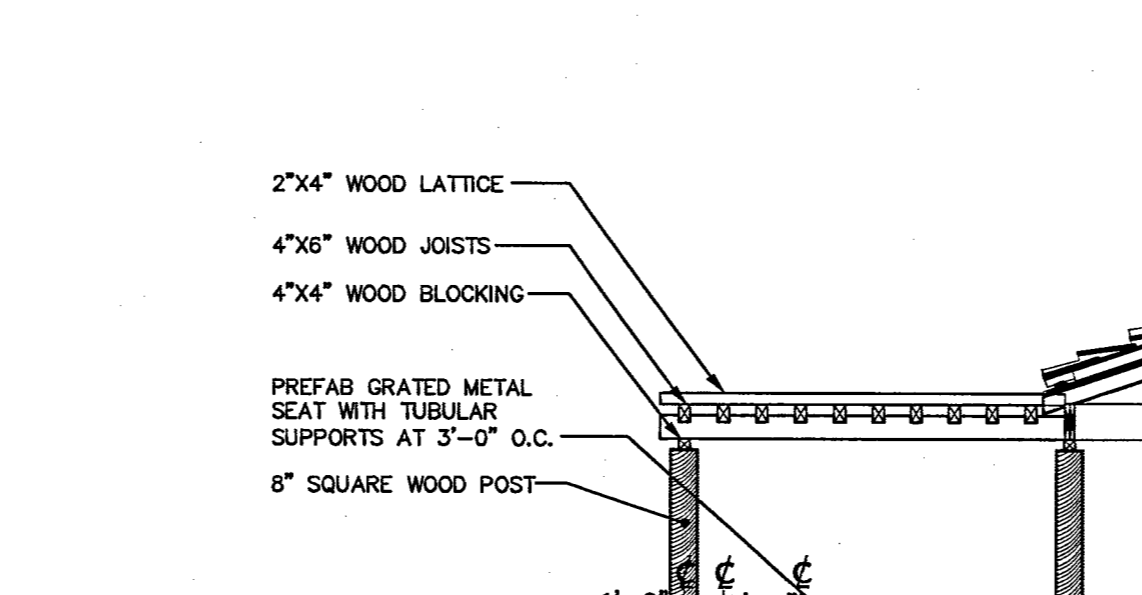
BUS SHELTER SECTION- A 2
SCALE: 1/4" = 1'-0"



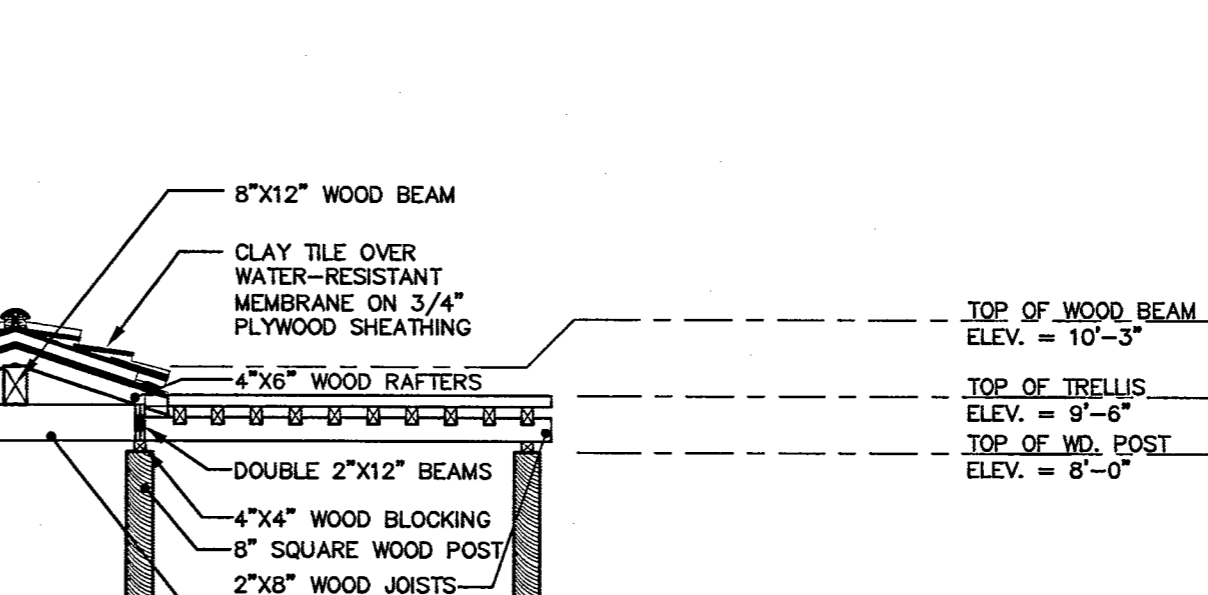
ENLARGED FOUNTAIN ELEVATION 13
SCALE: 1/2" = 1'-0"



FOUNTAIN SECTION 9
SCALE: 1/2" = 1'-0"



ENLARGED BUS SHELTER FRAMING PLAN 1
SCALE: 1/4" = 1'-0"



ENLARGED BUS SHELTER FRAMING PLAN 1
SCALE: 1/4" = 1'-0"

RECEIVED
FEB 08 2007
CITY OF LAS VEGAS
BUILDING DEPT.

SEPARATE PERMIT REQUIRED FOR BLOCK WALLS,
FENCING, WATER FEATURES, SIGNS AND STRUCTURES
INDEPENDENT OF THE MAIN STRUCTURE.

PLANS APPROVED
ARCHITECTURAL
12/12/2006
1/4" = 1'-0"
53-65E

CLV COMMENTS
1-1-2007
OWNER COMMENTS
1-1-2007

REVISIONS

4495 SOUTH POLARIS AVENUE
LAS VEGAS, NEVADA 89121
WWW.EGANDARCHITECTS.COM
PHONE: 702-735-1200
FAX: 702-735-1200

HISTORICAL
HERITAGE ARCHITECTURE & PLANNING
PHONE: 88-29-2888

MECHANICAL
VITI
NEVADA
PHONE: 702-735-7200

STRUCTURAL
BARKER DROTAR ASSOCIATES
STRUCTURAL ENGINEERS
PHONE: 702-39-0000

ELECTRICAL - PLUMBING - MECHANICAL
RE SAFETY - ACME MECHANICAL - CHINA LINDING

SCAFFOLDING
JBA CONSULTING ENGINEERS
PHONE: 702-39-0000

LANDSCAPE
LANDSCAPE & ASSOCIATES
PHONE: 702-39-0000

COST ESTIMATING
RIDER HUNT
LEVITT & BAILEY
PHONE: 702-39-0000

ADA ACCESSIBILITY
ENDELMAN AND ASSOCIATES
PHONE: 702-39-0000

CITY OF LAS VEGAS
REDEVELOPMENT AGENCY

OWNER: CITY OF LAS VEGAS
DEPARTMENT OF PUBLIC WORKS
ARCHITECTURAL SERVICES

440 EAST STEWART AVENUE
LAS VEGAS, NEVADA 89101
PHONE: (702) 384-4848
FAX: (702) 384-4848
TDD: (702) 386-9108

DATE:
12/12/2006
SCALE:
1/4" = 1'-0"
PROJECT NO.:
53-65E

AS2.02