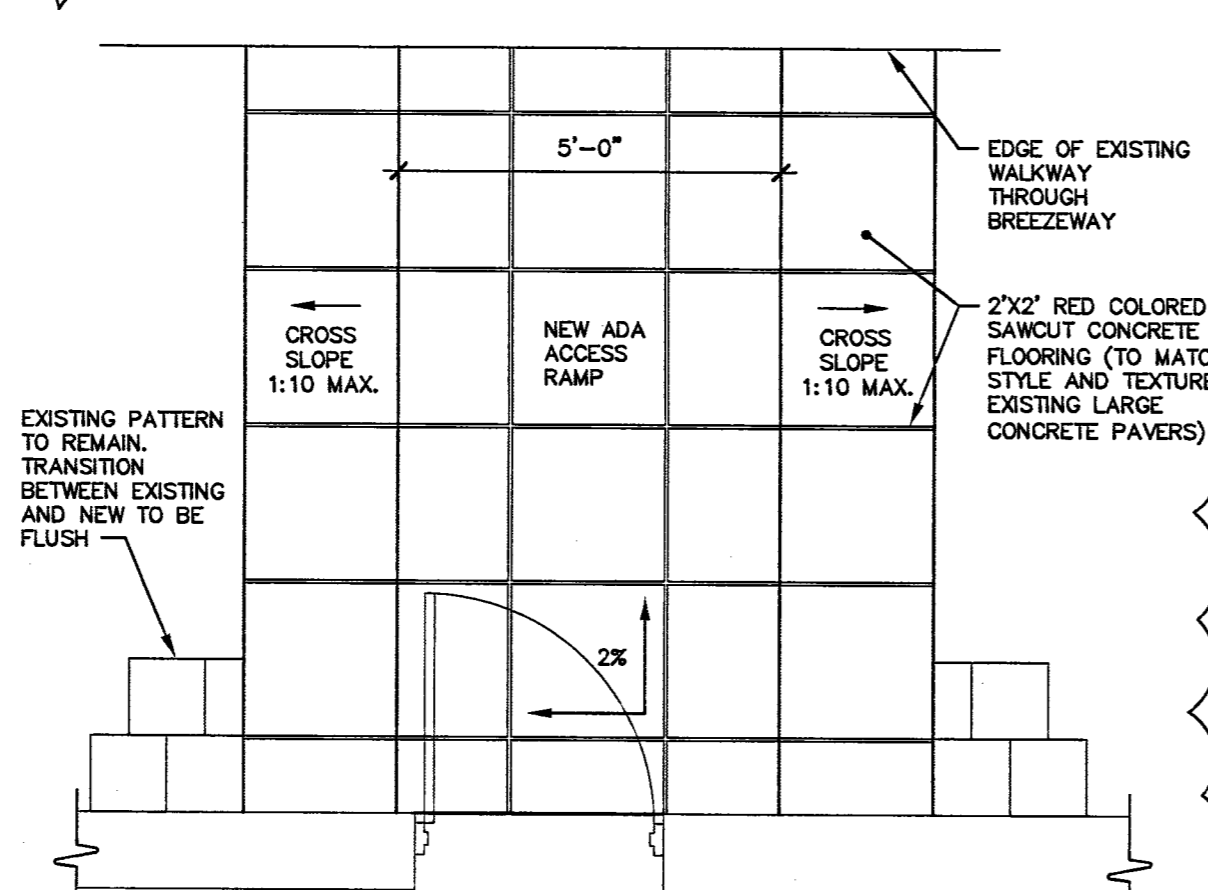
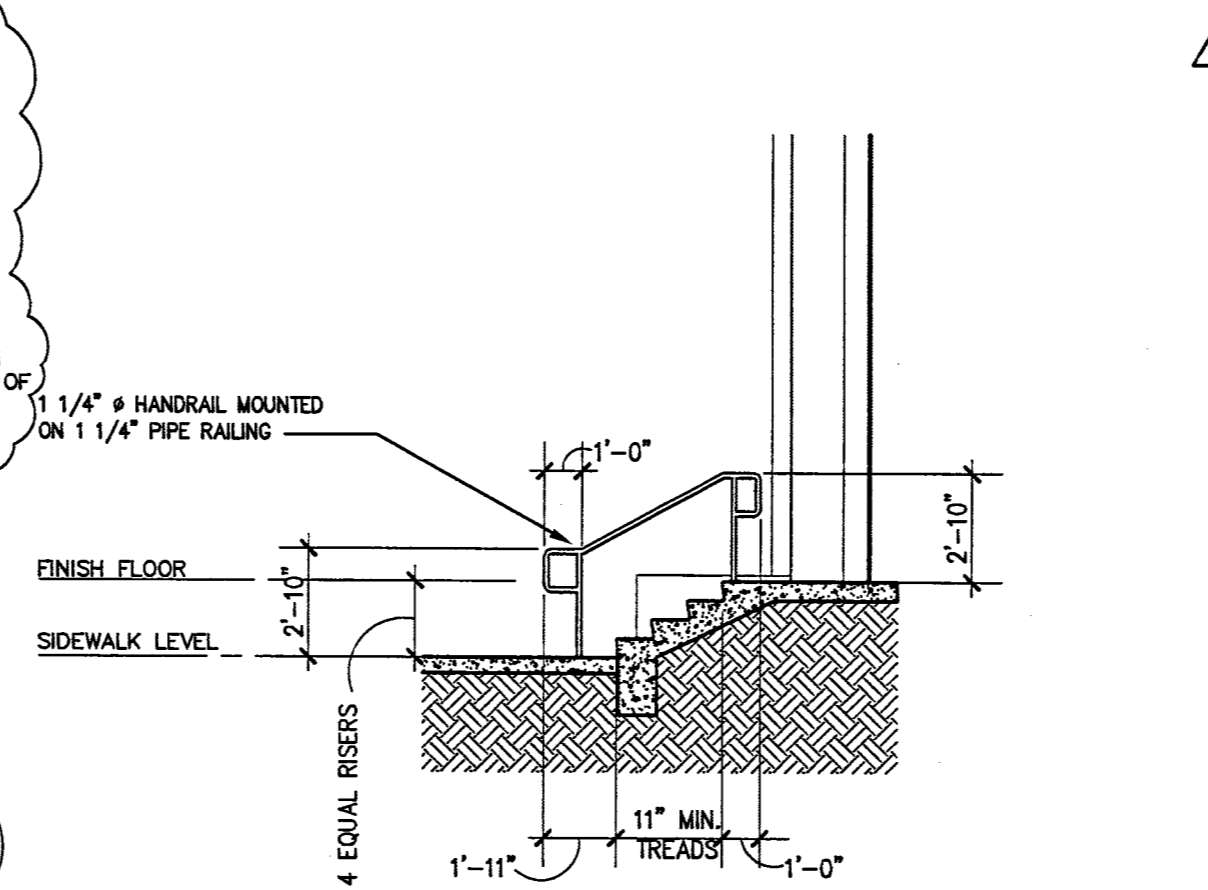


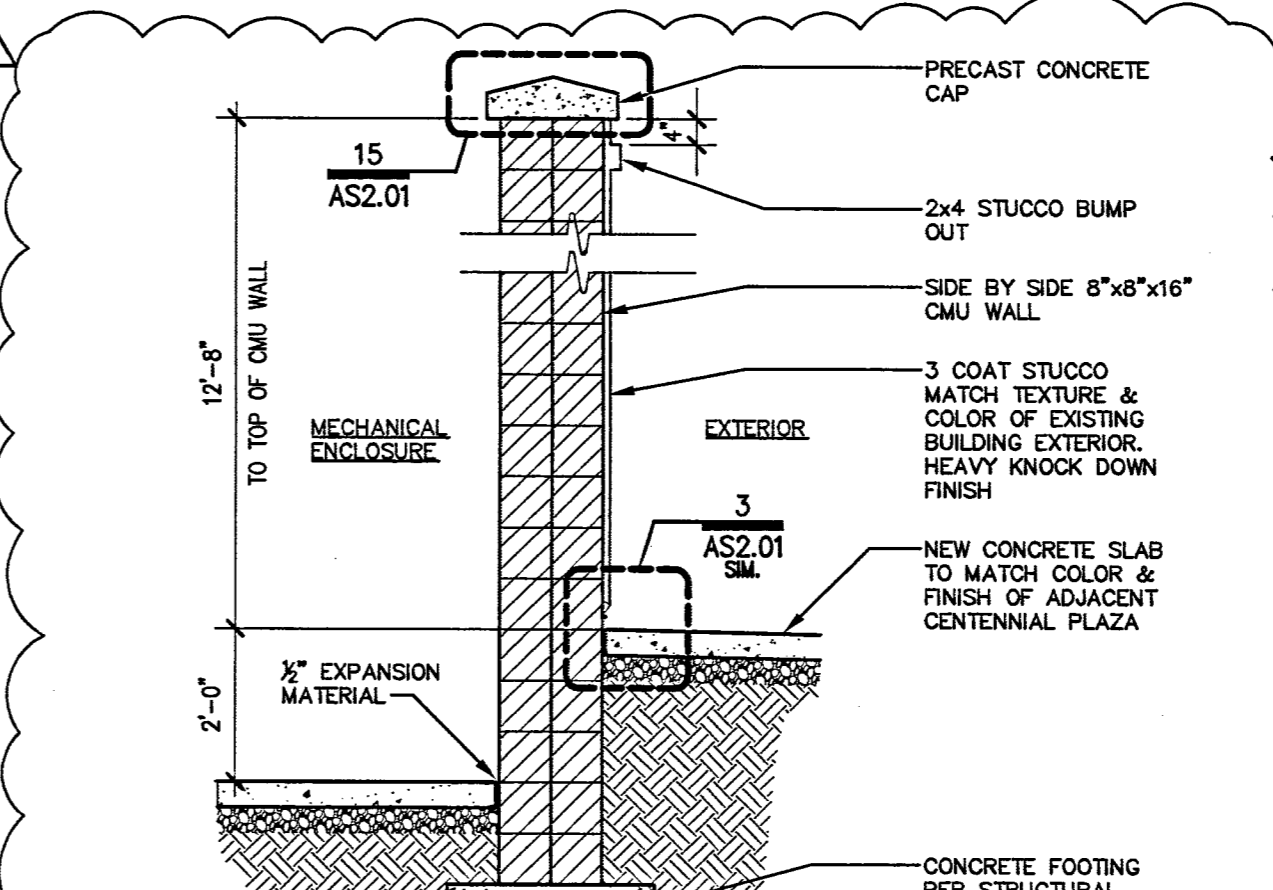
CONCRETE CAP DETAILS 15
SCALE: 1" = 1'-0" 723-S072



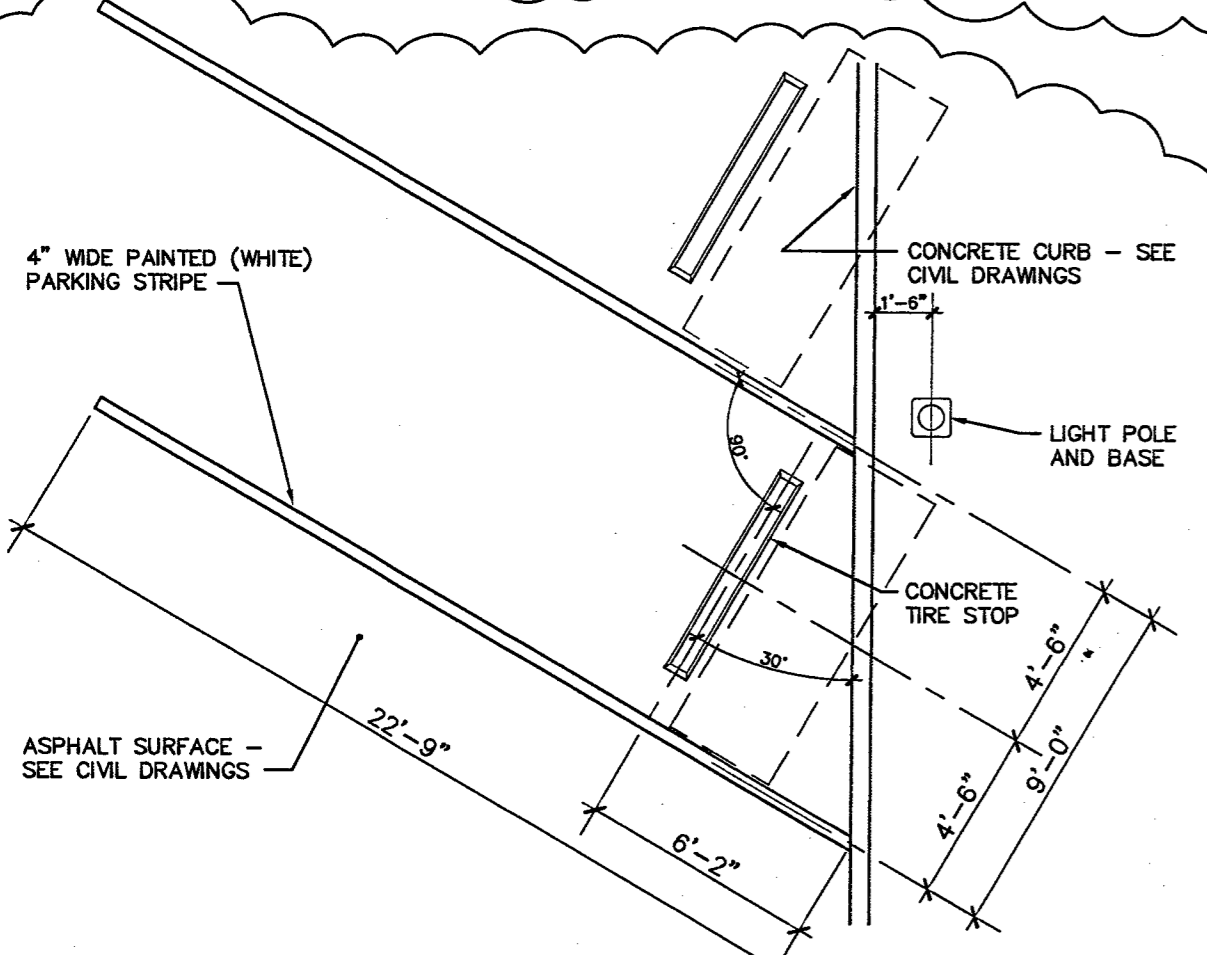
DOOR ACCESS (BREEZEWAYS) 11
SCALE: 1/2" = 1'-0" 723-S023.dwg



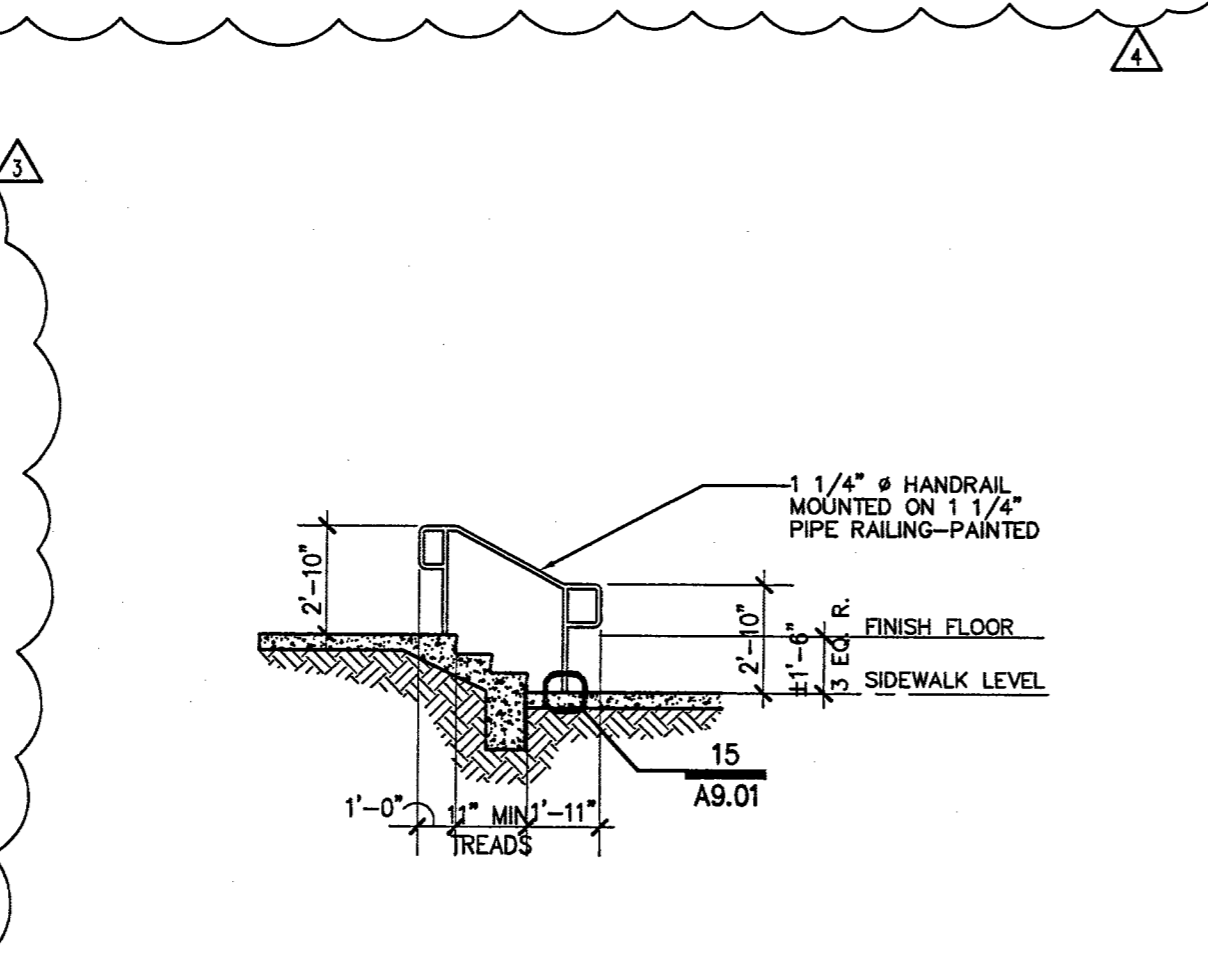
STAIR SECTION 7
SCALE: 1/4" = 1'-0" 723-S057



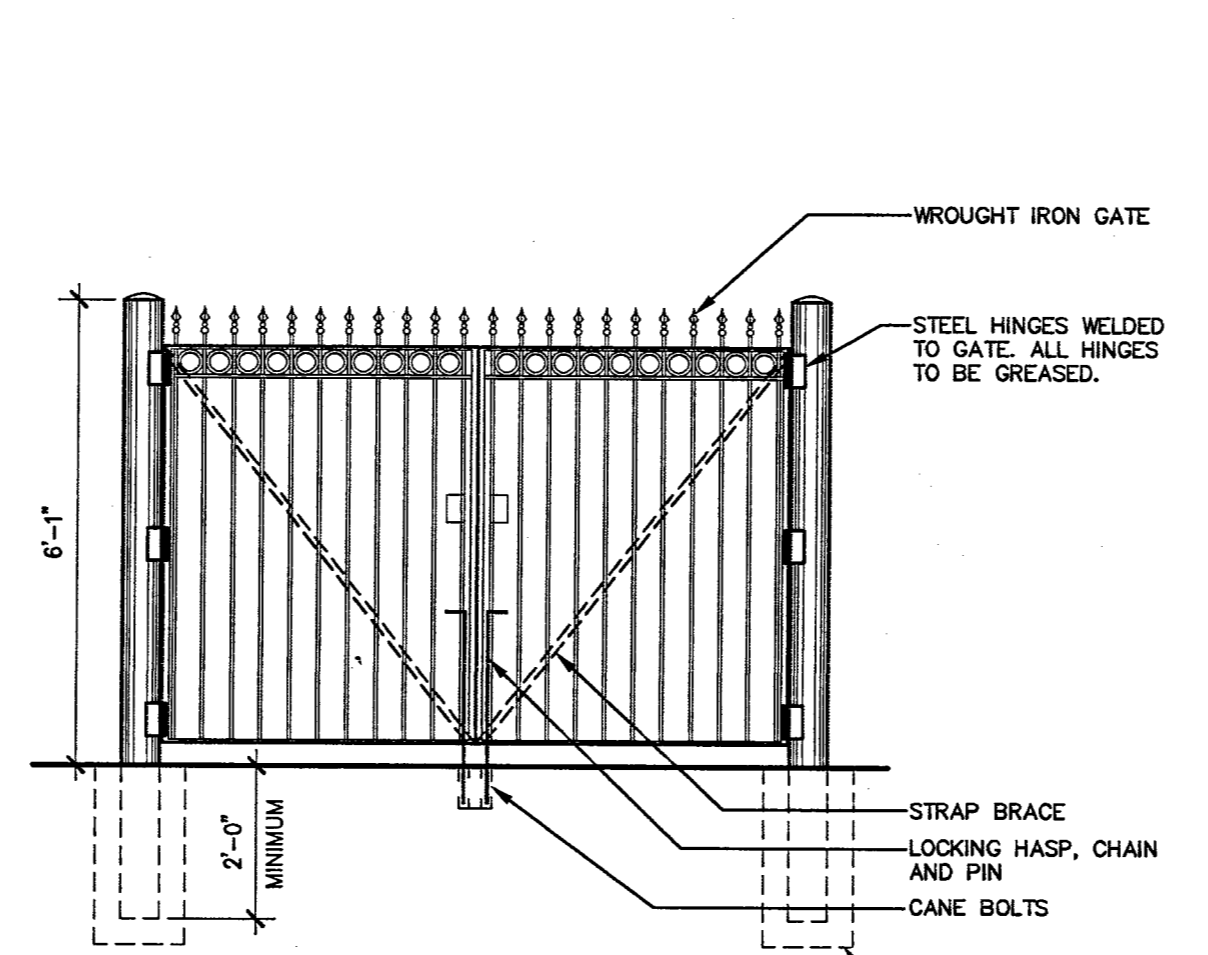
MECH. ENCLOSURE PIER 4
SCALE: 1/2" = 1'-0" 723-S006



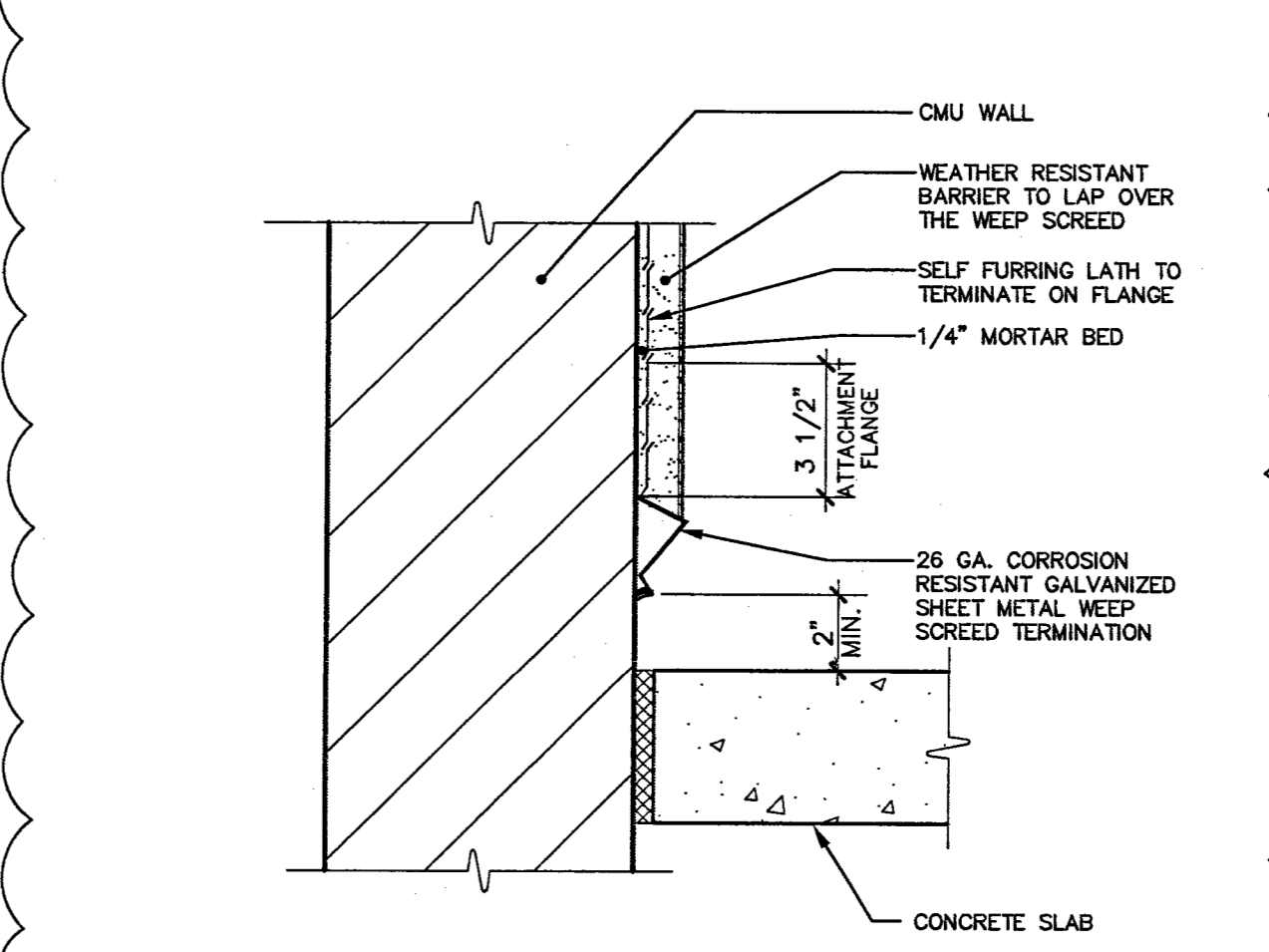
CONCRETE TIRE STOP (AT LIGHT POST) 14
SCALE: 3/8" = 1'-0" 723-S061.DWG



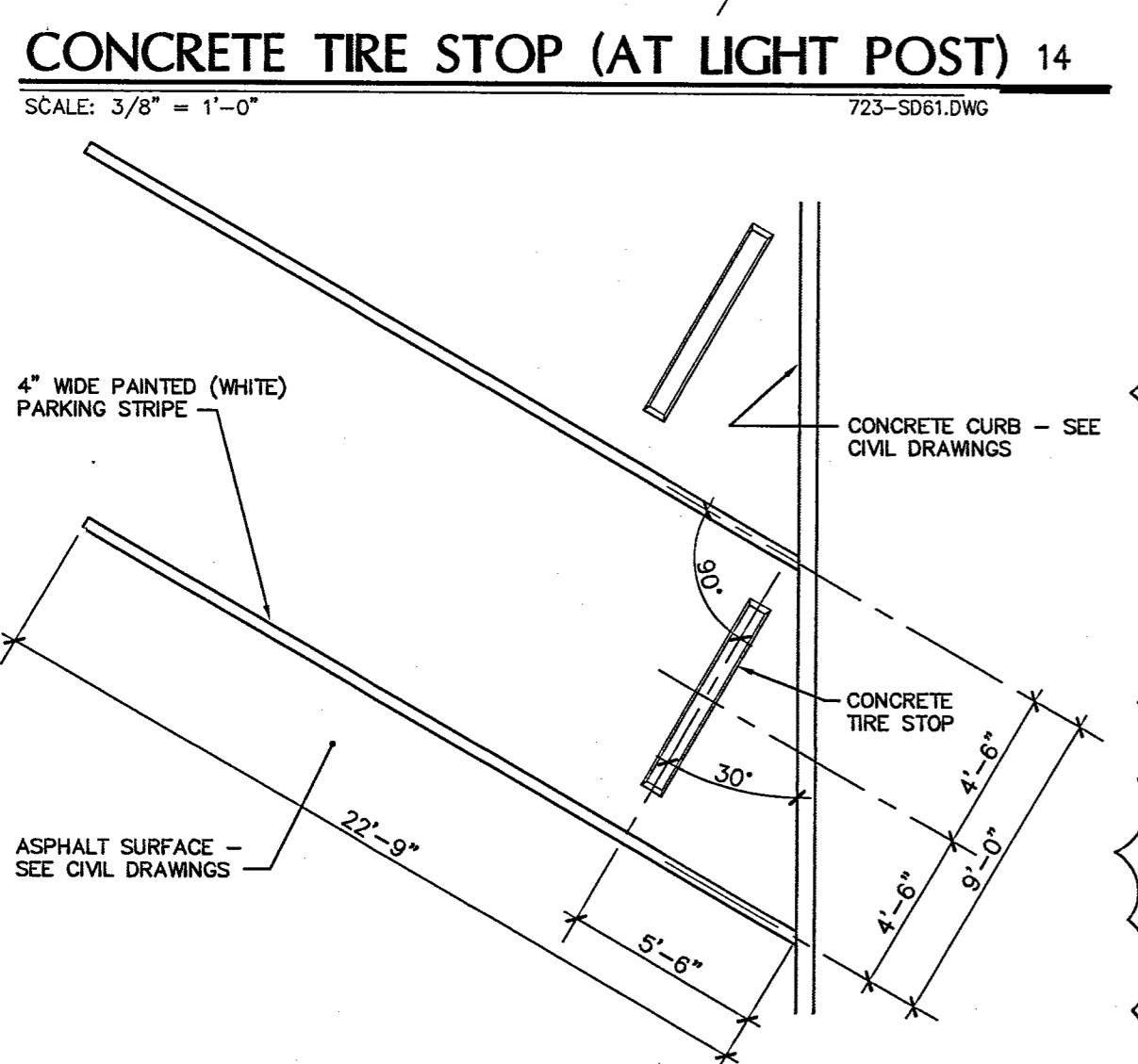
STAIR SECTION 10
SCALE: 1/4" = 1'-0" 723-S012



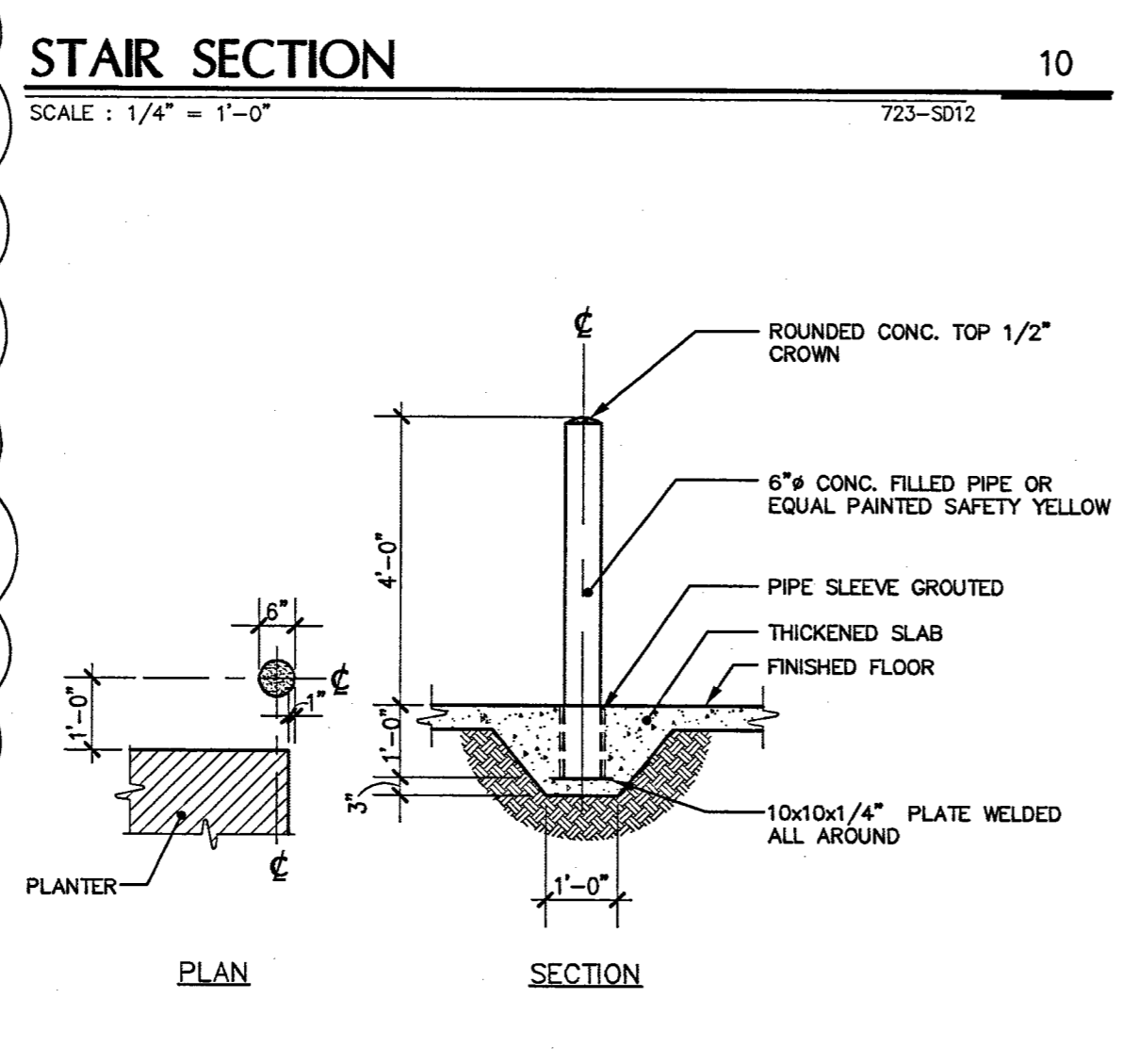
MECHANICAL ENCLOSURE GATE 6
SCALE: 1/2" = 1'-0" 723-S007



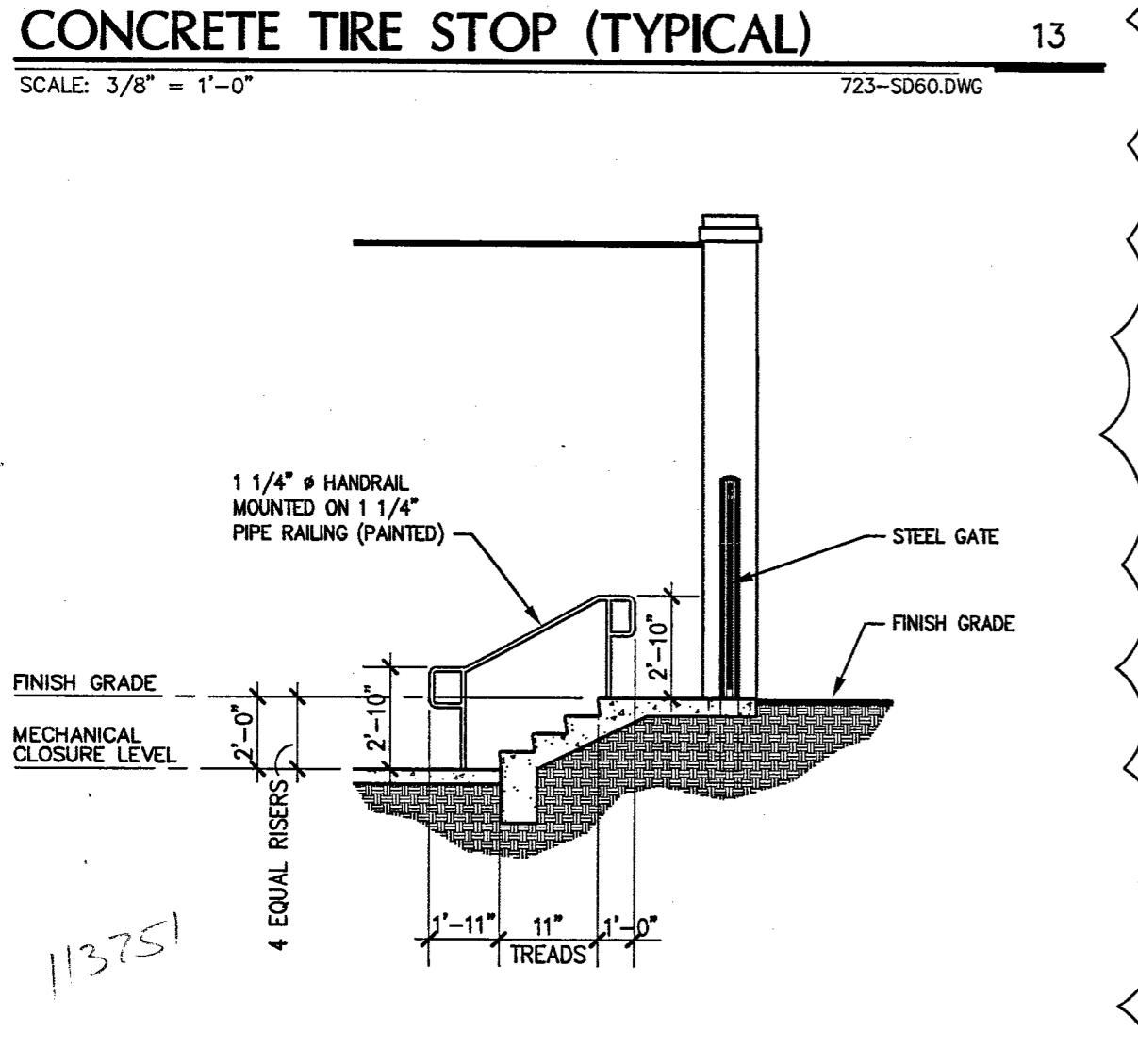
WEEP SCREED DETAIL 3
SCALE: 1" = 1'-0" 723-S002



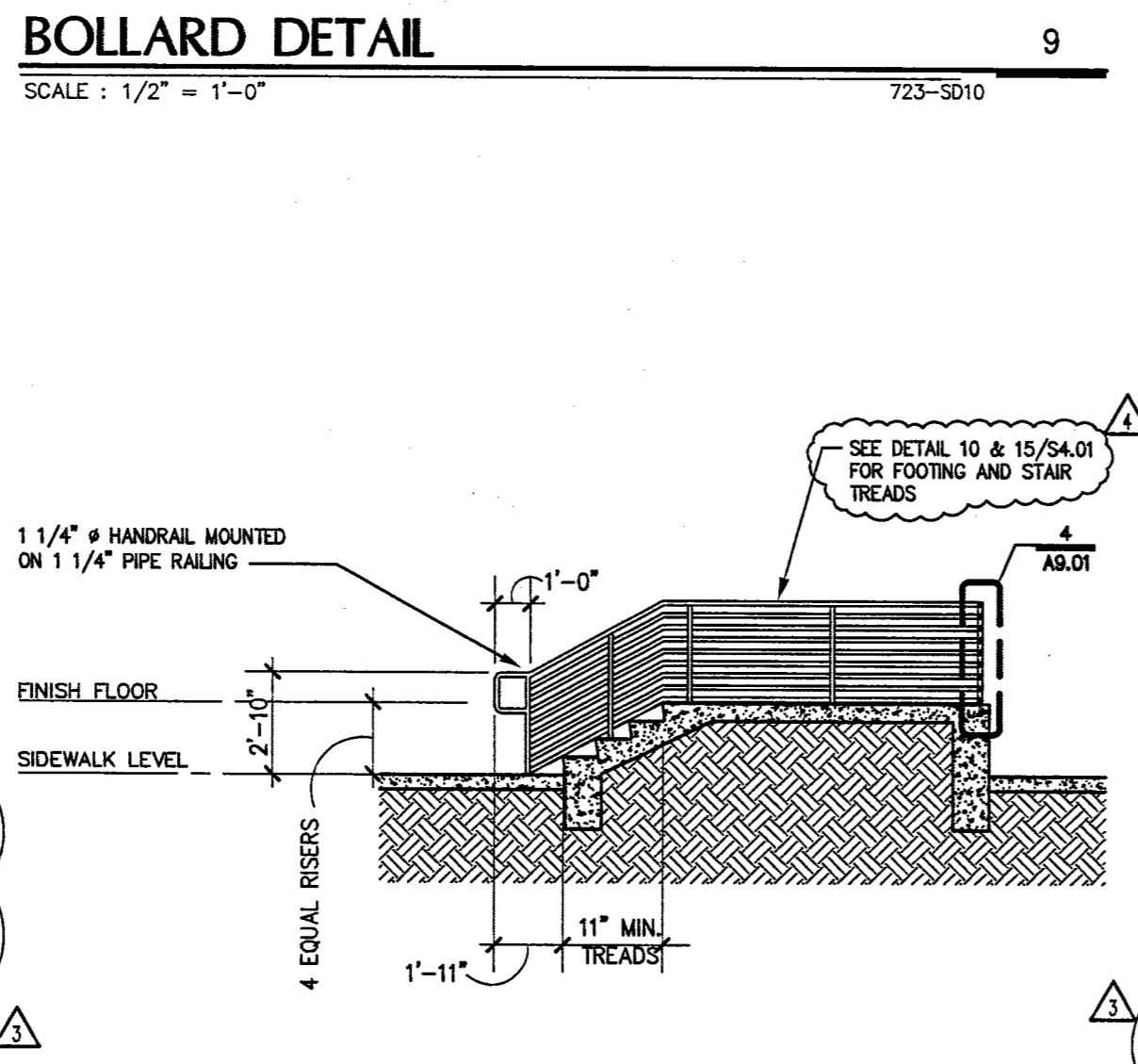
CONCRETE TIRE STOP (TYPICAL) 13
SCALE: 3/8" = 1'-0" 723-S060.DWG



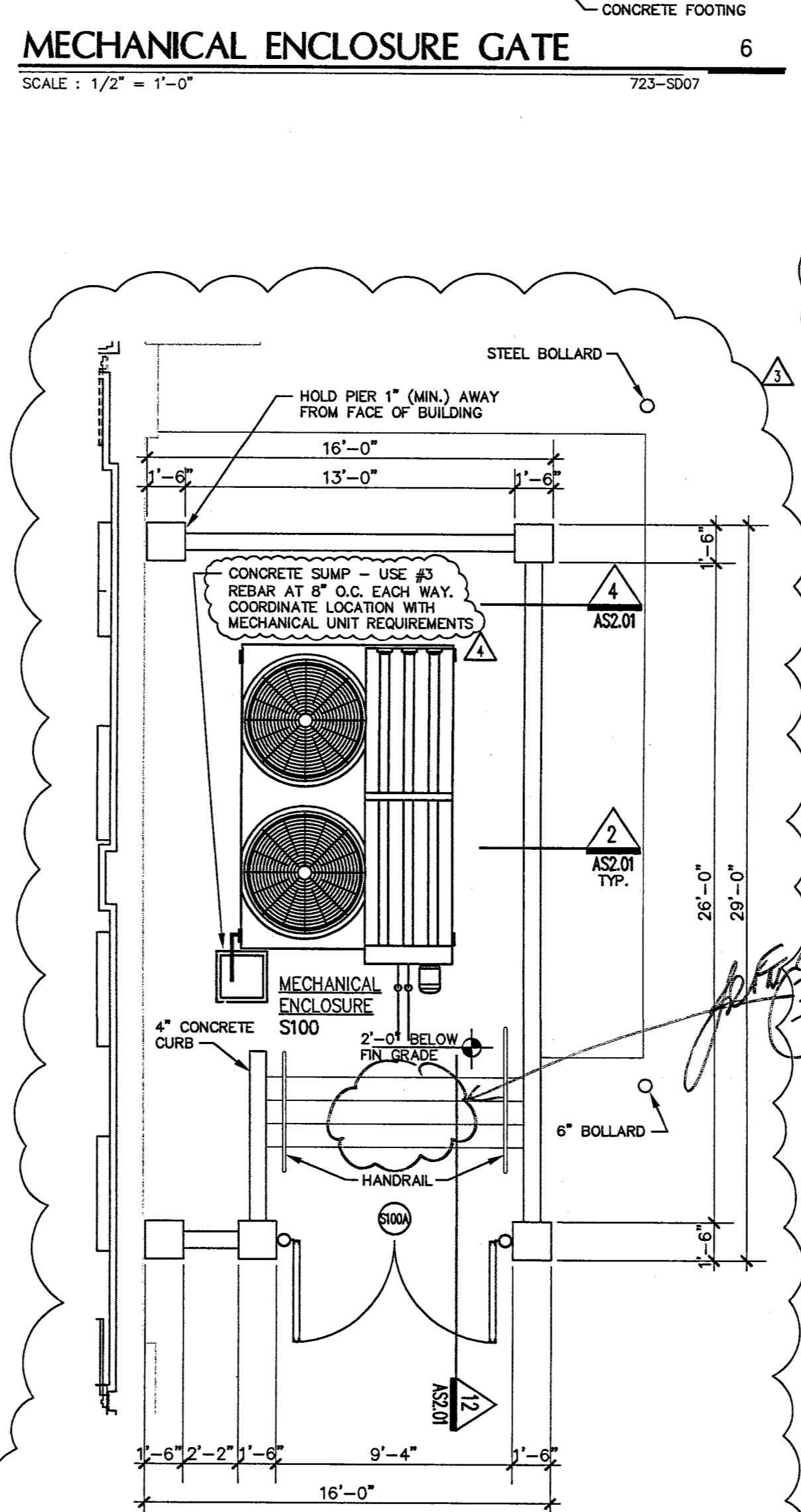
BOLLARD DETAIL 9
SCALE: 1/2" = 1'-0" 723-S010



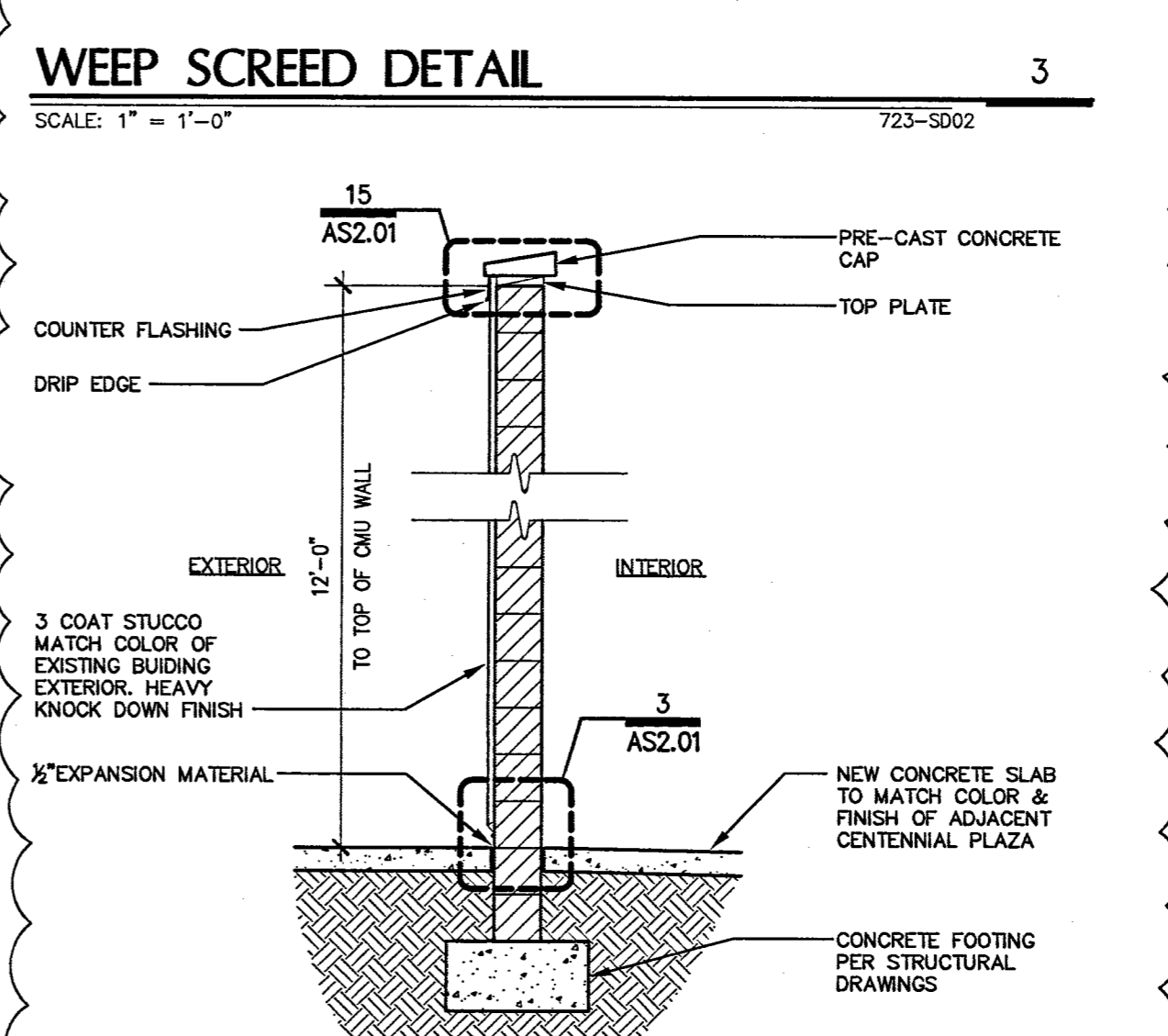
STAIR SECTION AT MECH. CLOSURE 12
SCALE: 1/4" = 1'-0" 723-S071



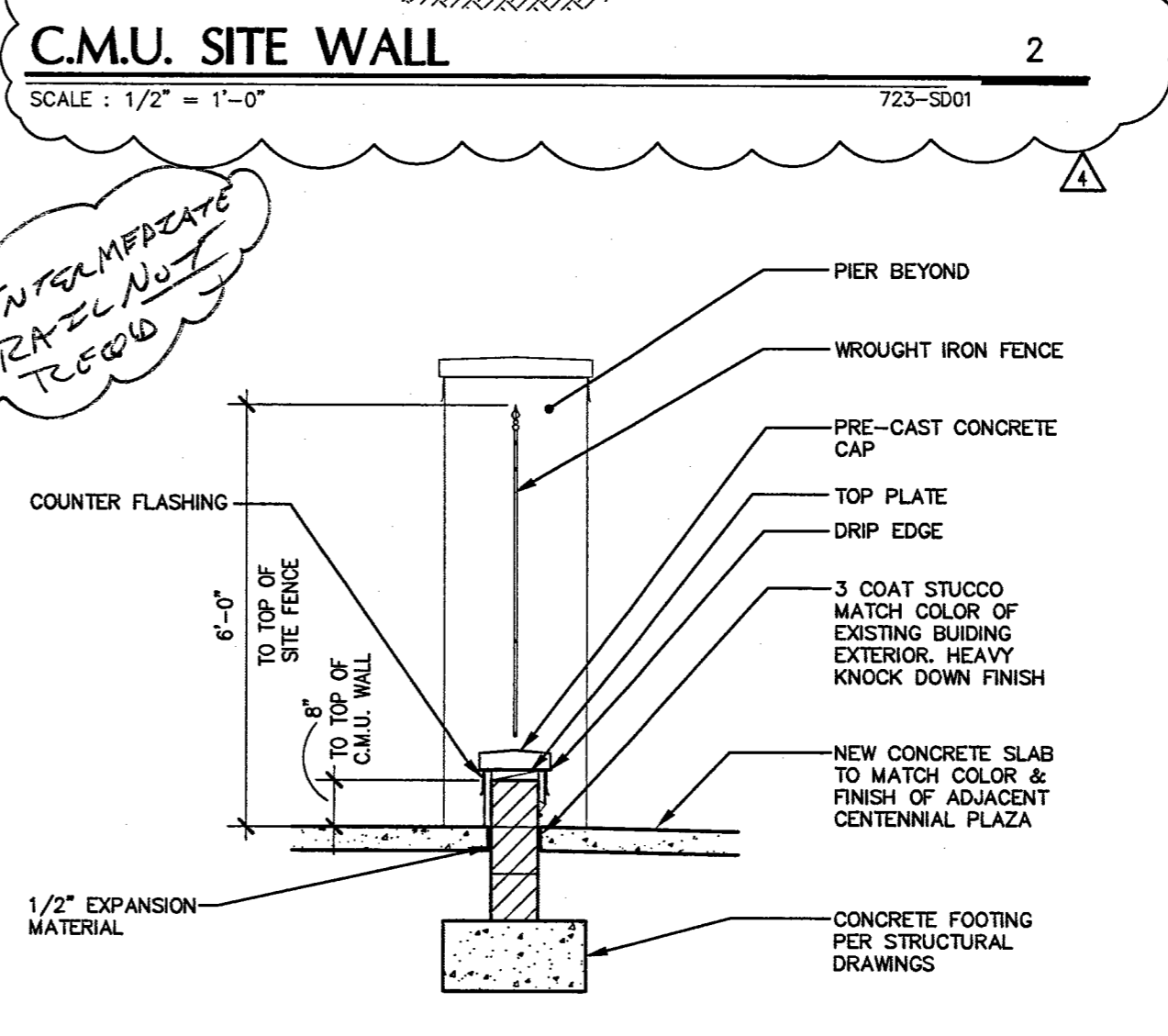
NEW STAIR SECTION 8
SCALE: 1/4" = 1'-0" 723-S059



MECHANICAL ENCLOSURE PLAN 5
SCALE: 1/4" = 1'-0" 723-SP01



C.M.U. SITE WALL 2
SCALE: 1/2" = 1'-0" 723-S001



C.M.U. SITE FENCE 1
SCALE: 1/2" = 1'-0" 723-S069

GLV COMMENTS
1-1-2007
OWNER COMMENTS
1-1-2007

KGA
ARCHITECTURE
1000 SOUTH POLARIS AVENUE
LAS VEGAS, NEVADA 89133
WWW.KGARCHITECTURE.COM
PHONE: 702-337-3400
FACSIMILE: 702-337-3400

HERITAGE ARCHITECTURE & PLANNING
1000 SOUTH POLARIS AVENUE
LAS VEGAS, NEVADA 89133
PHONE: 702-337-3400

YTH NEVADA
PHONE: 702-477-7888

STRUCTURAL - BARKER DROTTER ASSOCIATES
STRUCTURAL ENGINEERS
PHONE: 702-337-3400

MECHANICAL - PLUMBING - ELECTRICAL - FIRE SAFETY - ACoustICAL - CIVIL ENGINEERING
SEA CONSULTING ENGINEERS
PHONE: 702-337-3400

STAGE LIGHTING & DESIGN - COHMA LIGHTING DESIGN GROUP
PHONE: 88-238-2333

LANDSCAPE - HERRINGMAN & ASSOCIATES
PHONE: 702-337-3400

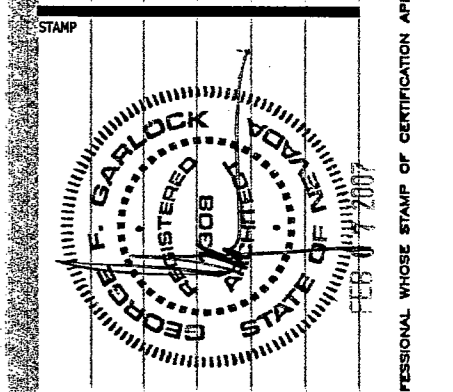
COST ESTIMATING - RIDER HUNT LEVITT & GALLEY
PHONE: 702-337-3400

ADA ACCESSIBILITY - ENDELMAN AND ASSOCIATES
PHONE: 702-337-3400



FIFTH STREET SCHOOL REHABILITATION BUILDING DEPARTMENT SUBMITTAL

REVISED 2-2-2007



OWNER: CITY OF LAS VEGAS DEPARTMENT OF PUBLIC WORKS ARCHITECTURAL SERVICES

400 EAST STEWART AVENUE
LAS VEGAS, NEVADA 89133
PHONE: (702) 228-8000
FAX: (702) 384-4846
TDD: (702) 384-9100

RECEIVED
FEB 08 2007
CITY OF LAS VEGAS
BUILDING DEPT.

PLANS APPROVED
ARCHITECTURAL
12/12/2006
SCALE
SHEET NO.
513-65E

AS2.01

REPRODUCED AS INSTRUMENTS OF SERVICE ARE THE PROPERTY OF THE DESIGN PROFESSIONAL WHOSE SEAL OF CERTIFICATION APPEARS ON THESE PLANS. ANY REPRODUCTION OR USE OF THESE PLANS WITHOUT WRITTEN CONSENT IS STRICTLY PROHIBITED. COPIES OF THE ORIGINAL AND REPRODUCTION SHALL BE MAINTAINED BY THE CLIENT. ANY REPRODUCTION OF THESE PLANS WITHOUT WRITTEN CONSENT IS STRICTLY PROHIBITED. ANY USE OF REPRODUCTION IN WHOLE OR IN PART WITHOUT WRITTEN CONSENT IS STRICTLY PROHIBITED. ANY USE OF REPRODUCTION IN WHOLE OR IN PART WITHOUT WRITTEN CONSENT IS STRICTLY PROHIBITED. ANY USE OF REPRODUCTION IN WHOLE OR IN PART WITHOUT WRITTEN CONSENT IS STRICTLY PROHIBITED.