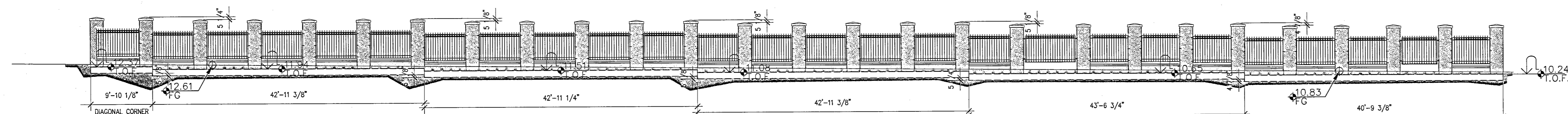


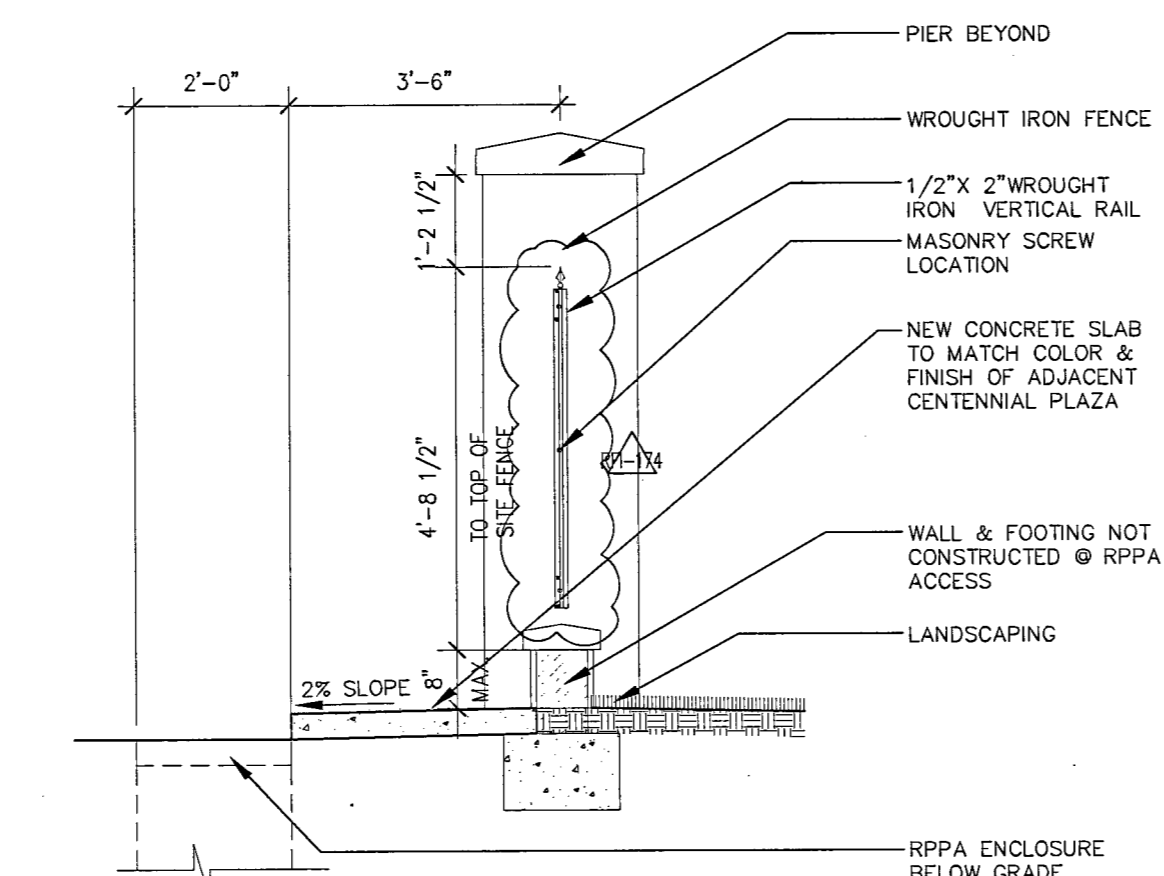
SITE FENCE @ WEST ELEVATION

SCALE: 1/8" = 1'-0"



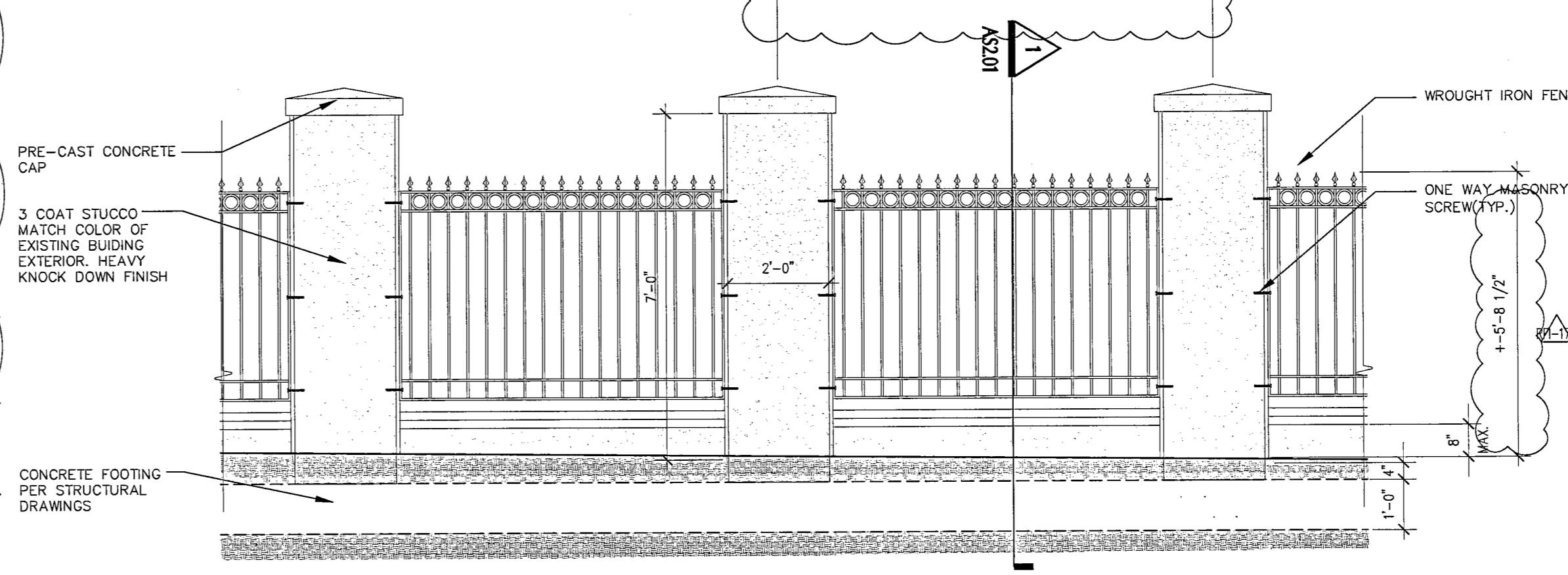
SITE FENCE @ SOUTH ELEVATION

SCALE: 1/8" = 1'-0"



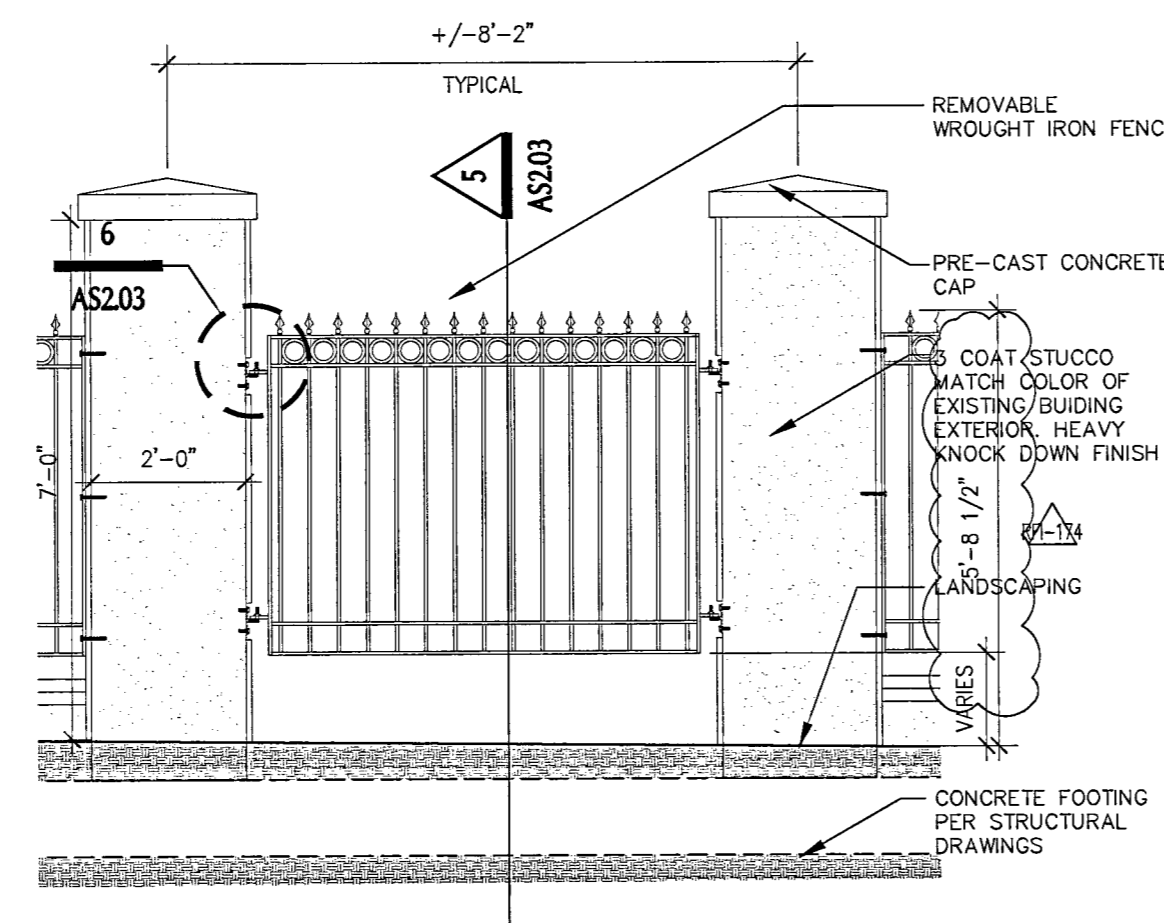
SITE FENCE @ RPPA VAULT AREA

SCALE: 1/2" = 1'-0"



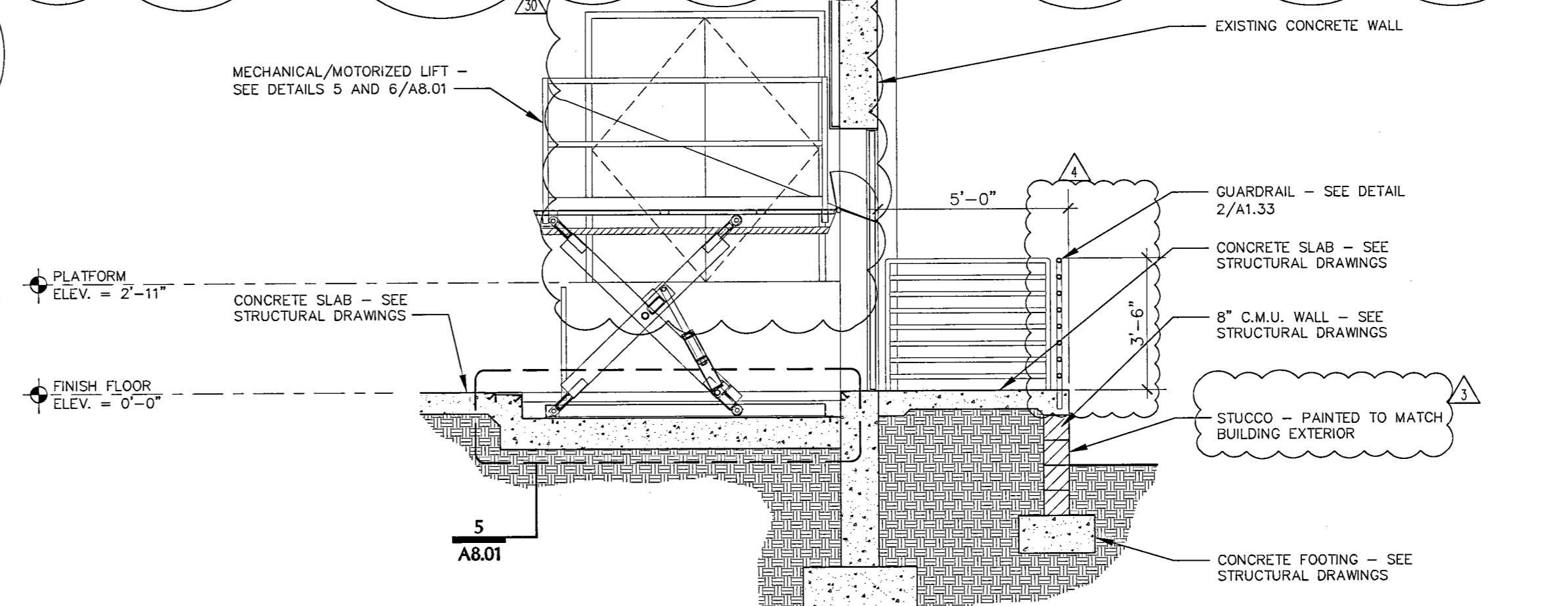
SITE FENCE

SCALE: 1/2" = 1'-0"



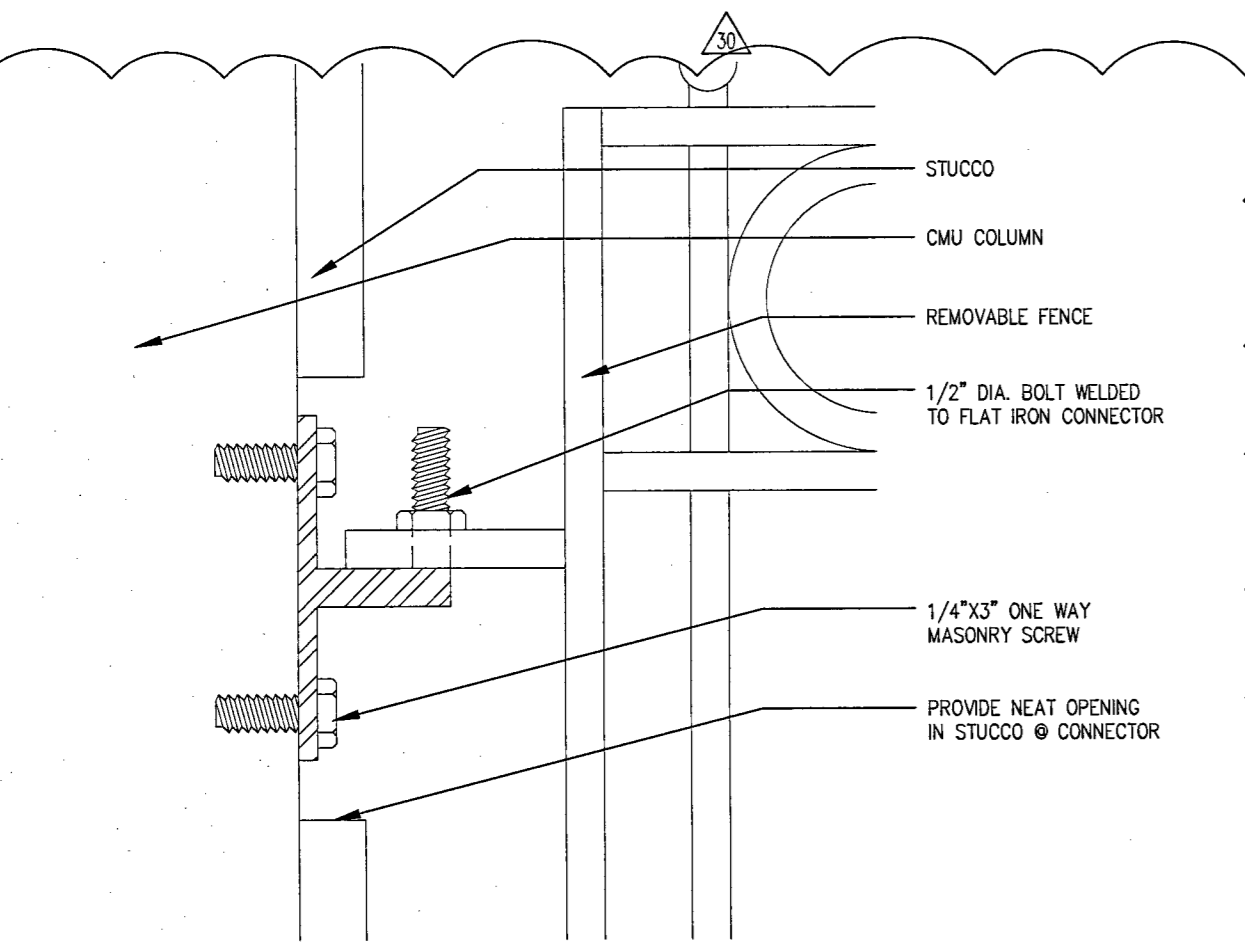
SITE FENCE @ RPPA VAULT AREA

SCALE: 1/2" = 1'-0"



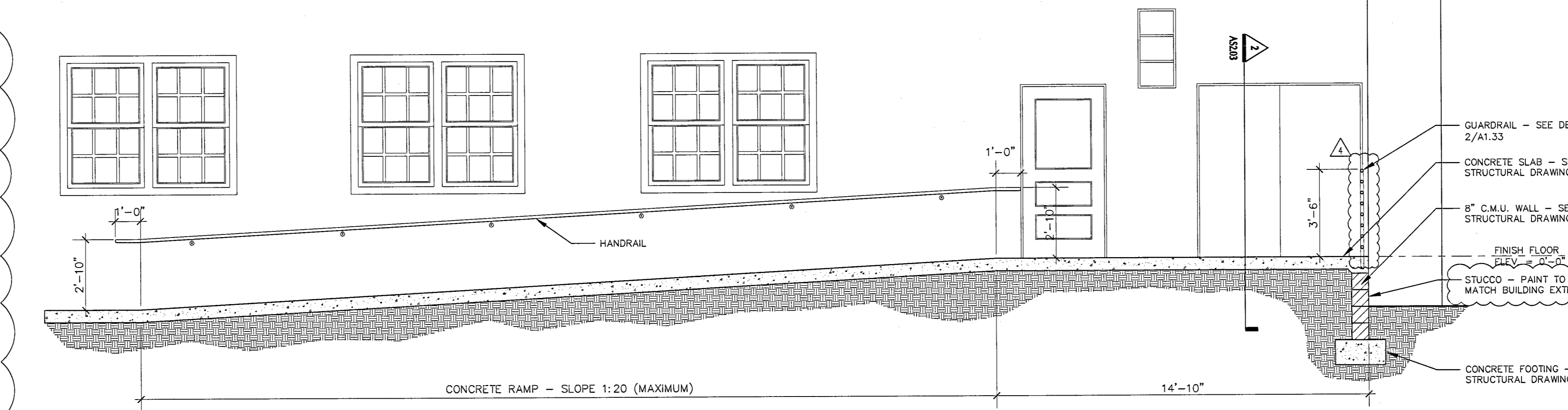
LANDING AND LIFT SECTION

SCALE: 3/8" = 1'-0"



REMOVABLE FENCE PIN DETAIL

SCALE: 6" = 1'-0"



RAMP SECTION

SCALE: 3/8" = 1'-0"

REVISIONS
 1-4-2007
 CLV COMMENTS
 2-2-2007
 OWNER COMMENTS
 3-2-2007
 ARCHITECTURAL COORD.
 3-24-2008
 ARCHITECTURAL COORD.
 3-24-2008

KGA
 ARCHITECTURE
 KATRINA GARLOCK
 ARCHITECT
 400 EAST STERLING AVENUE
 LAS VEGAS, NEVADA 89103
 WWW.KGARCHITECTURE.COM
 TELEPHONE: 702.257.6900
 FACSIMILE: 702.257.2843

HISTORICAL
 HERITAGE ARCHITECTURE
 & PLANNING
 PHONE: 89-239-7888

CON.
 VTN
 NEVADA
 PHONE: 702-873-9550

STRUCTURAL -
 BARKER DROTTER ASSOCIATES
 STRUCTURAL ENGINEERS
 PHONE: 702-791-9000

MECHANICAL - PLUMBING - ELECTRICAL -
 WE SARTY - ACUSTICAL - GENERAL LEADING
 J&A CONSULTING ENGINEERS
 PHONE: 702-362-9200

SCAPE LIGHTING & DESIGN -
 GDM LIGHTING DESIGN GROUP
 PHONE: 88-236-2333

LANDSCAPE -
 JWZUNNO & ASSOCIATES
 PHONE: 702-253-2000

COST ESTIMATING -
 RIDER HUNT
 LEVETT & BAILEY
 702-257-9858

ADA ACCESSIBILITY
 ENDELMAN AND
 ASSOCIATES
 PHONE: 202-341-6462



**FIFTH STREET SCHOOL
 REHABILITATION
 BUILDING DEPARTMENT SUBMITTAL**



John P. ...
 RECORD DRAWINGS

OWNER: CITY OF LAS VEGAS
 DEPARTMENT OF PUBLIC
 WORKS ARCHITECTURAL SERVICES

400 EAST STERLING AVENUE
 LAS VEGAS, NEVADA 89103
 PHONE: (702) 229-6935
 FAX: (702) 388-6846
 TDD: (702) 388-9108

ED C.
 RAMP SECTIONS
 12/12/2006
 AS SHOWN
 513-65E

AS2.03