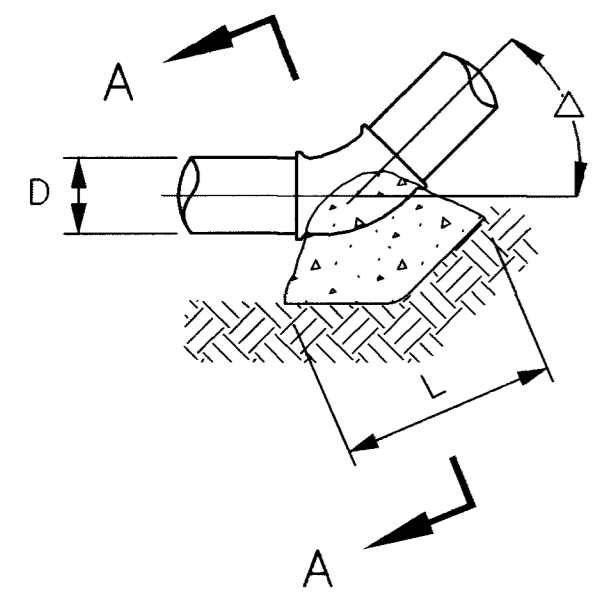
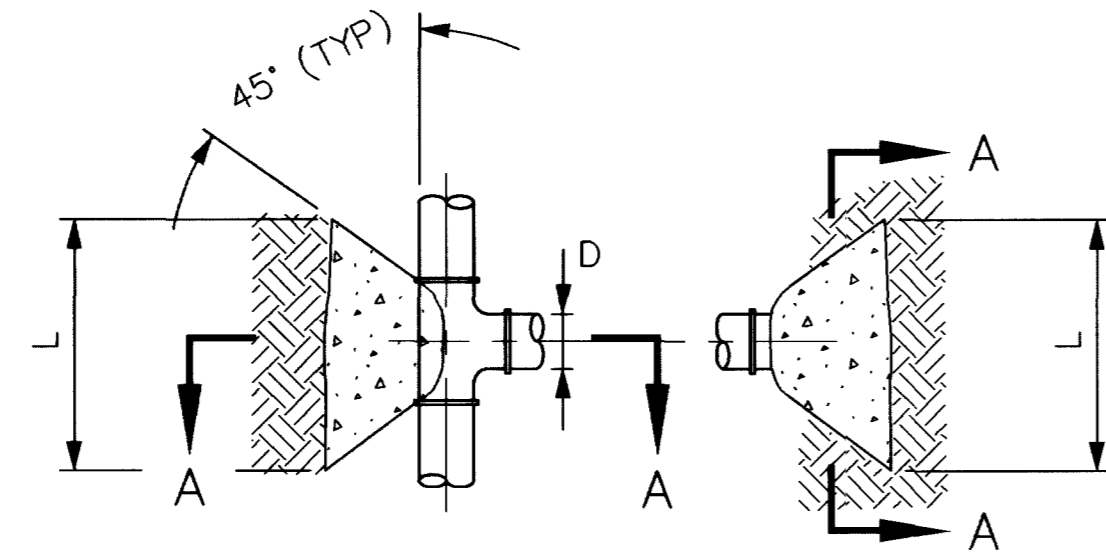


ALL DIMENSIONS ARE IN MILLIMETERS
UNLESS OTHERWISE NOTED



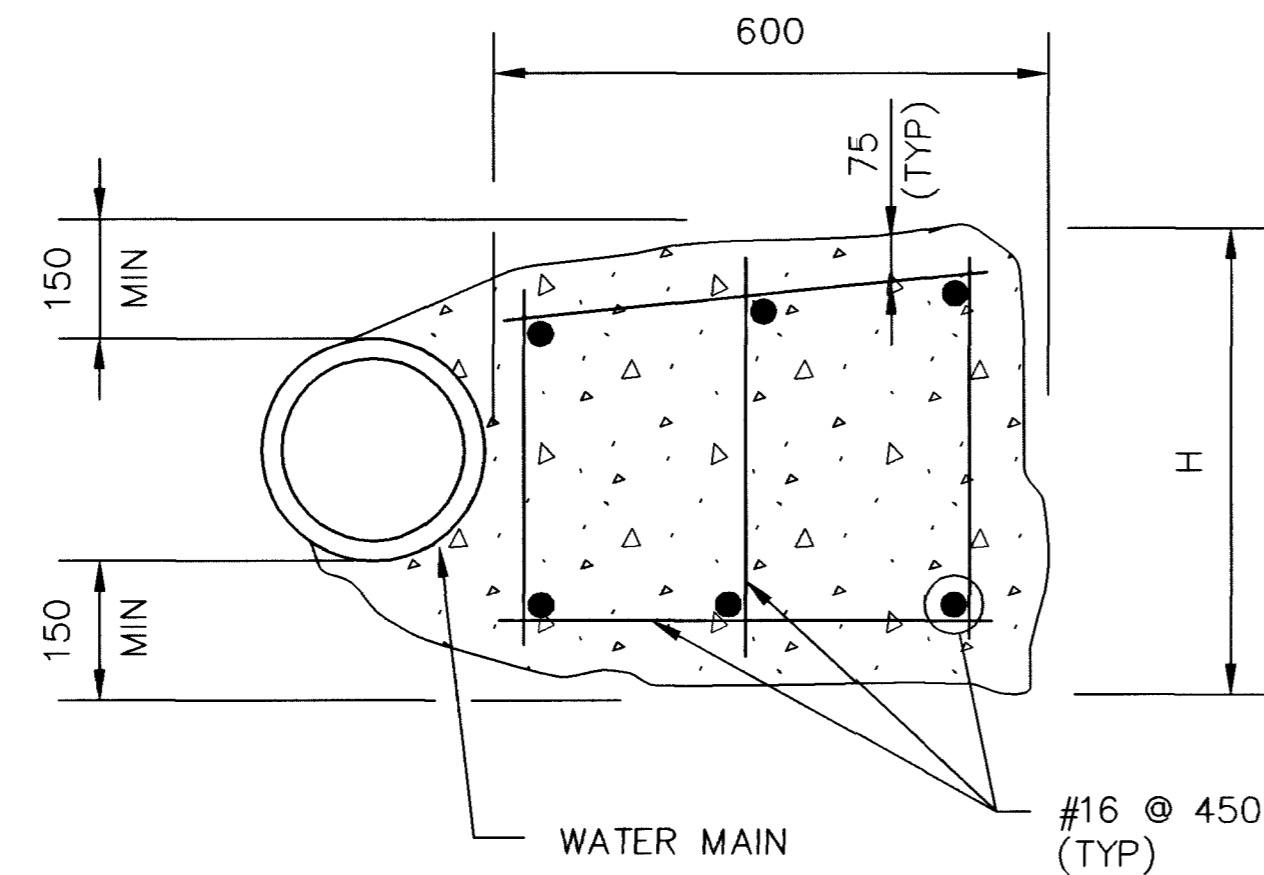
(FIGURE 1)

HORIZONTAL OR UPWARD
VERTICAL BEND



(FIGURE 2)

TEE, WYE, PLUG OR CAP



SECTION A-A

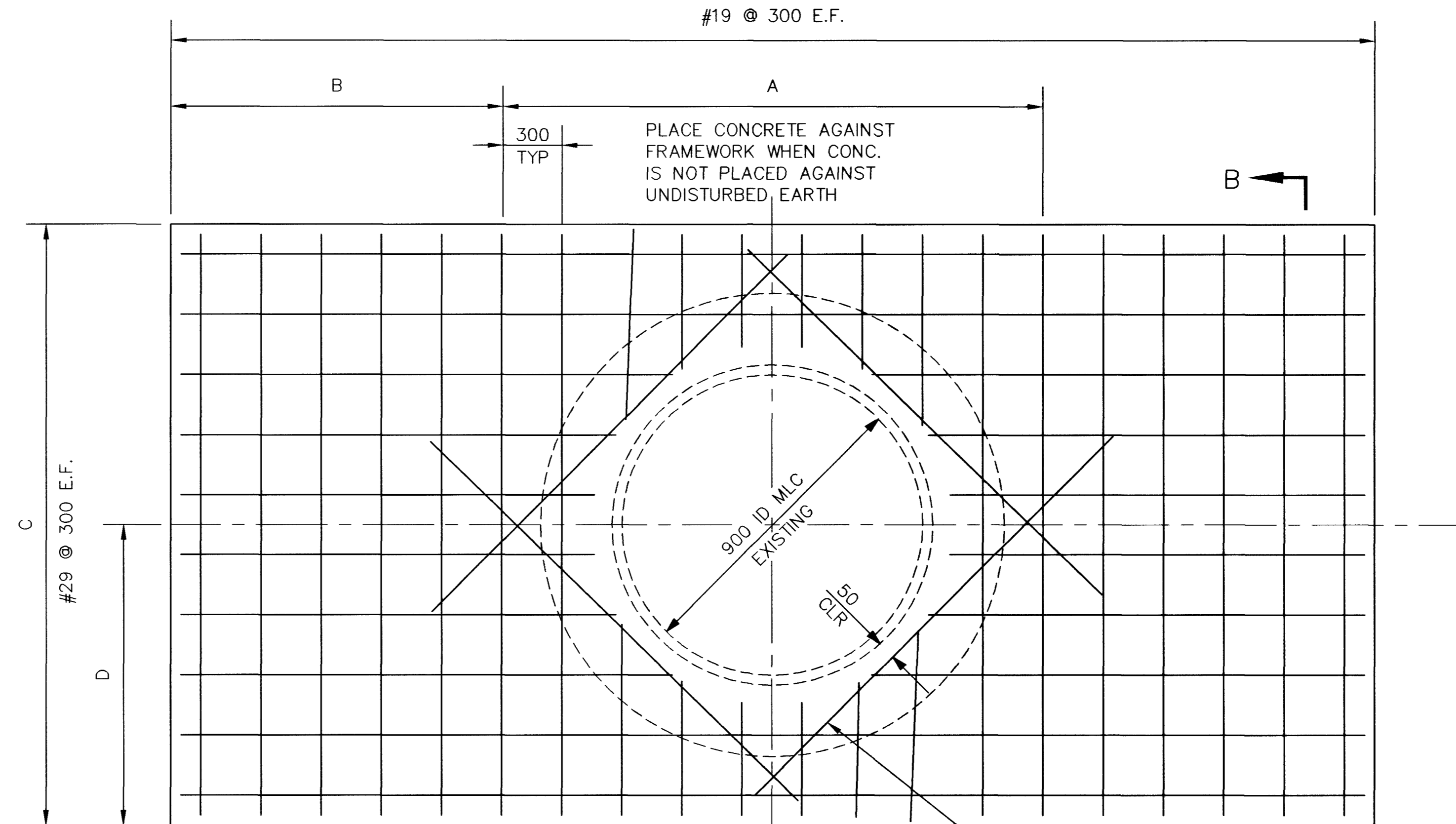
SEE TABLE

THRUST BLOCK DIMENSIONS								
PIPE SIZE	FIGURE 1, Δ						FIGURE 2	
	11.25°		45°		90°		L	H
D	L	H	L	H	L	H	L	H
750	-	-	-	-	-	-	4350	2160
900	-	-	-	-	-	-	5220	2610

GENERAL NOTES

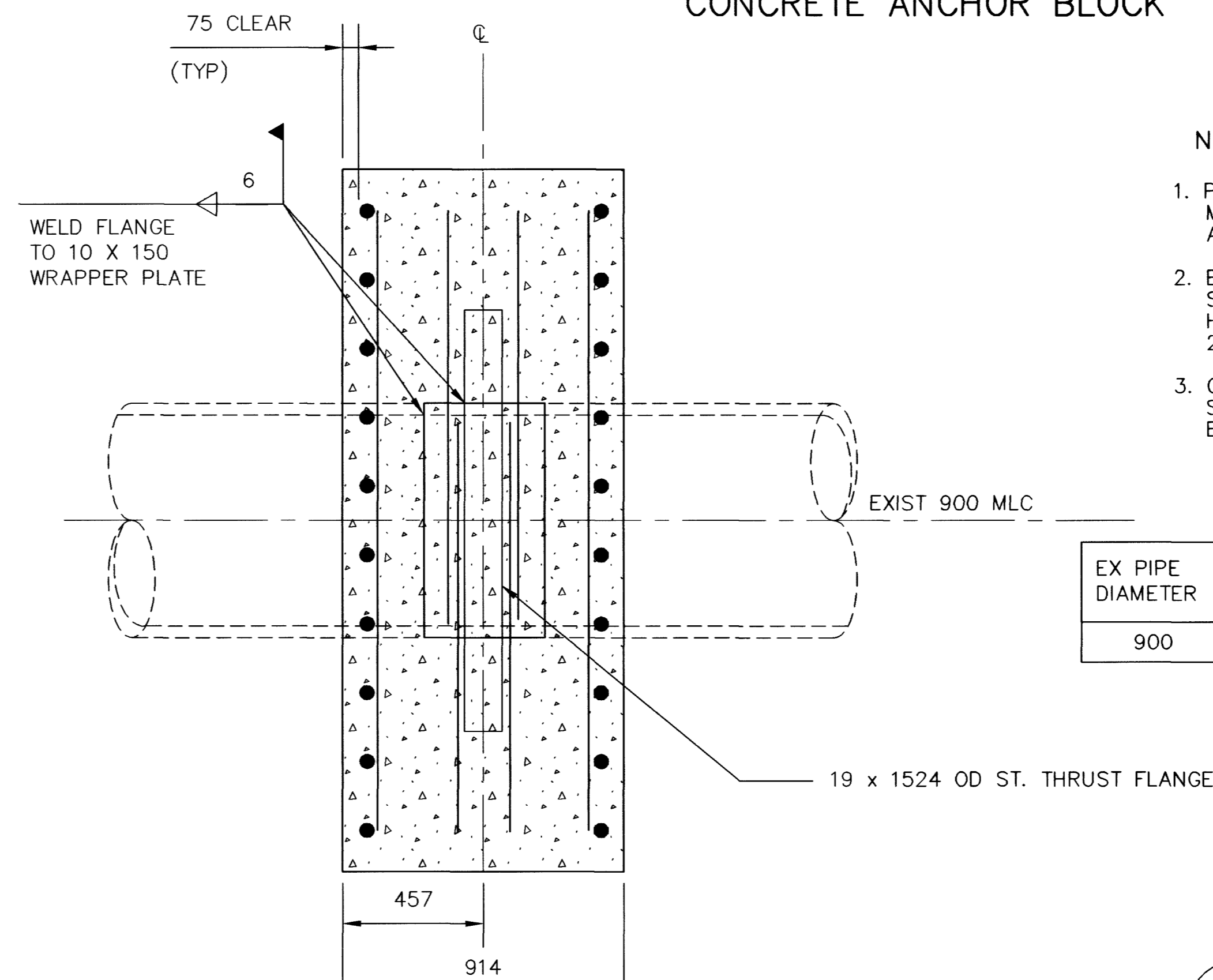
1. BEARING SURFACE OF ALL THRUST BLOCKS TO BE POURED AGAINST FIRM UNDISTURBED EARTH (FULL BEARING STRENGTH).
2. ALL CONCRETE TO BE CLASS A CONCRETE (MINOR)
3. FOR PIPE SIZES SMALLER THAN 750mm, CONSTRUCT THRUST BLOCKS IN ACCORDANCE WITH UDS PLATE No. 5.
4. THRUST BLOCKS DESIGNED FOR SOIL BEARING CAPACITY OF 64.6 kPa.

THRUST BLOCKS



CONCRETE ANCHOR BLOCK

(4) #19 1500mm LONG
DIAGONALS EACH SIDE
OF THRUST FLANGE



SECTION B-B

NOTE

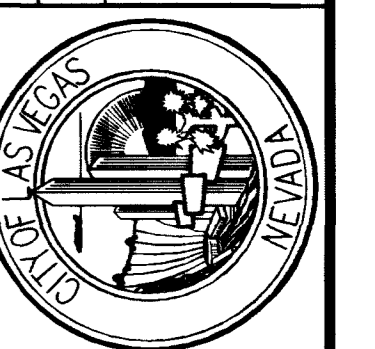
1. PLACE CONCRETE AGAINST UNDISTURBED EARTH A MIN OF 750mm ON BOTH FACES AND BOTTOM OF ANCHOR BLOCK AT BOTH ENDS.
2. EXCESS EXCAVATION UNDER CENTER 1500 OF ANCHOR SHALL BE REPLACED WITH UNREINFORCED CONCRETE HAVING A COMPRESSIVE STRENGTH OF 20.7 MPa AT 28 DAYS.
3. CONNECTION OF THRUST FLANGE TO EXISTING PIPE SHALL BE WELDED WITH 6mm FILLET WELD OR EQUIVALENT PENETRATION WELDS

EX PIPE DIAMETER	A	B	C	D
900	2000	2000	2300	1150

APPROVED FOR CONSTRUCTION

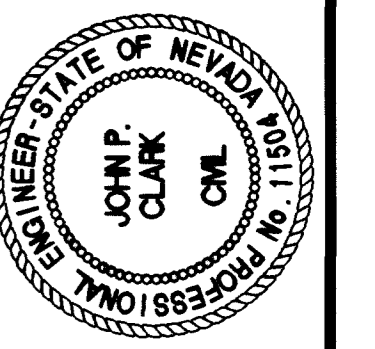
LAS VEGAS VALLEY WATER DISTRICT DATE

DATE	REVISIONS
4/30/03	RECORD DRAWING



DEPARTMENT OF PUBLIC WORKS

I-15 FREEWAY CHANNEL
WATER LINE DETAILS



DRAWING No. 200
U-41

RECORD DRAWING METRIC

327-V254