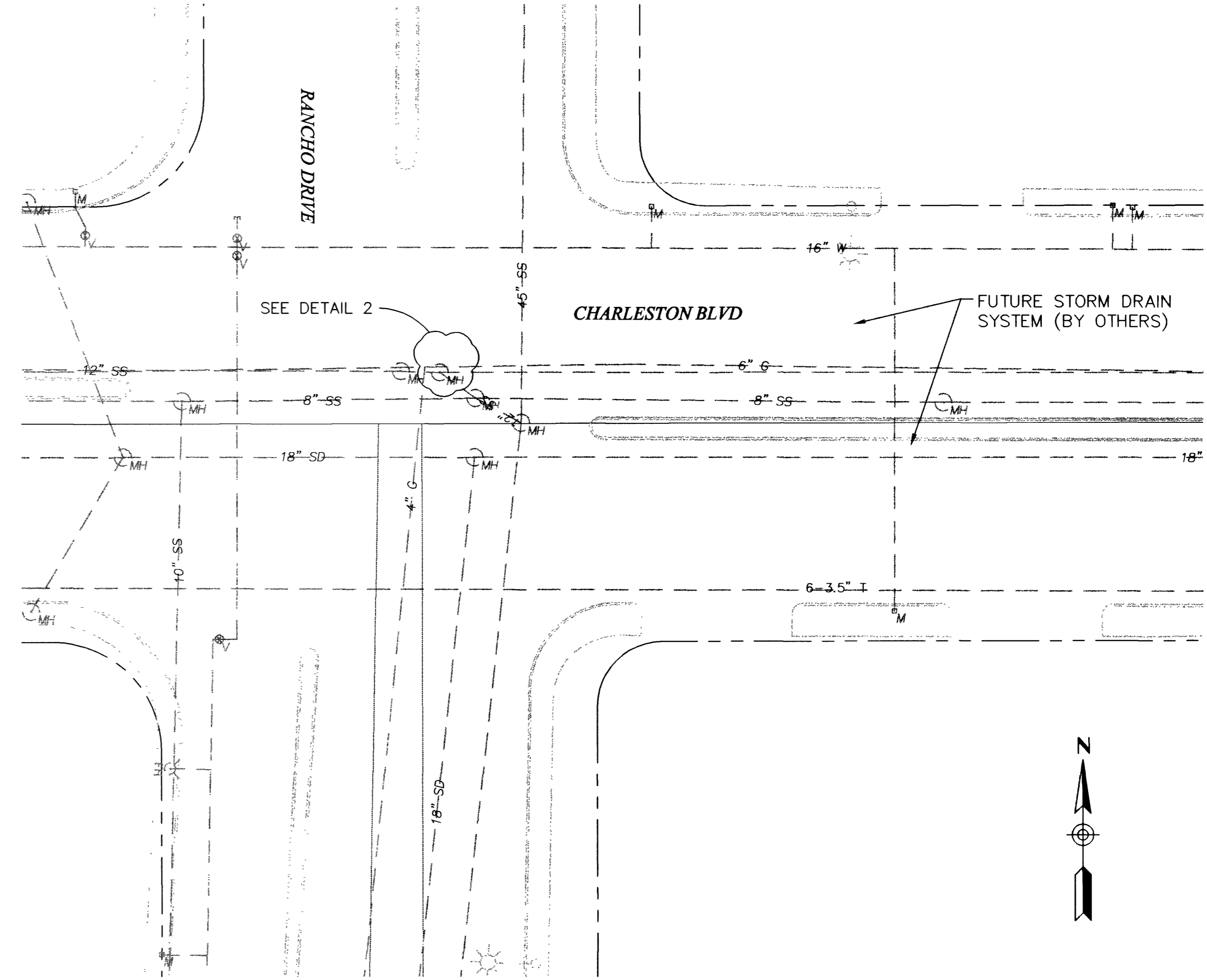
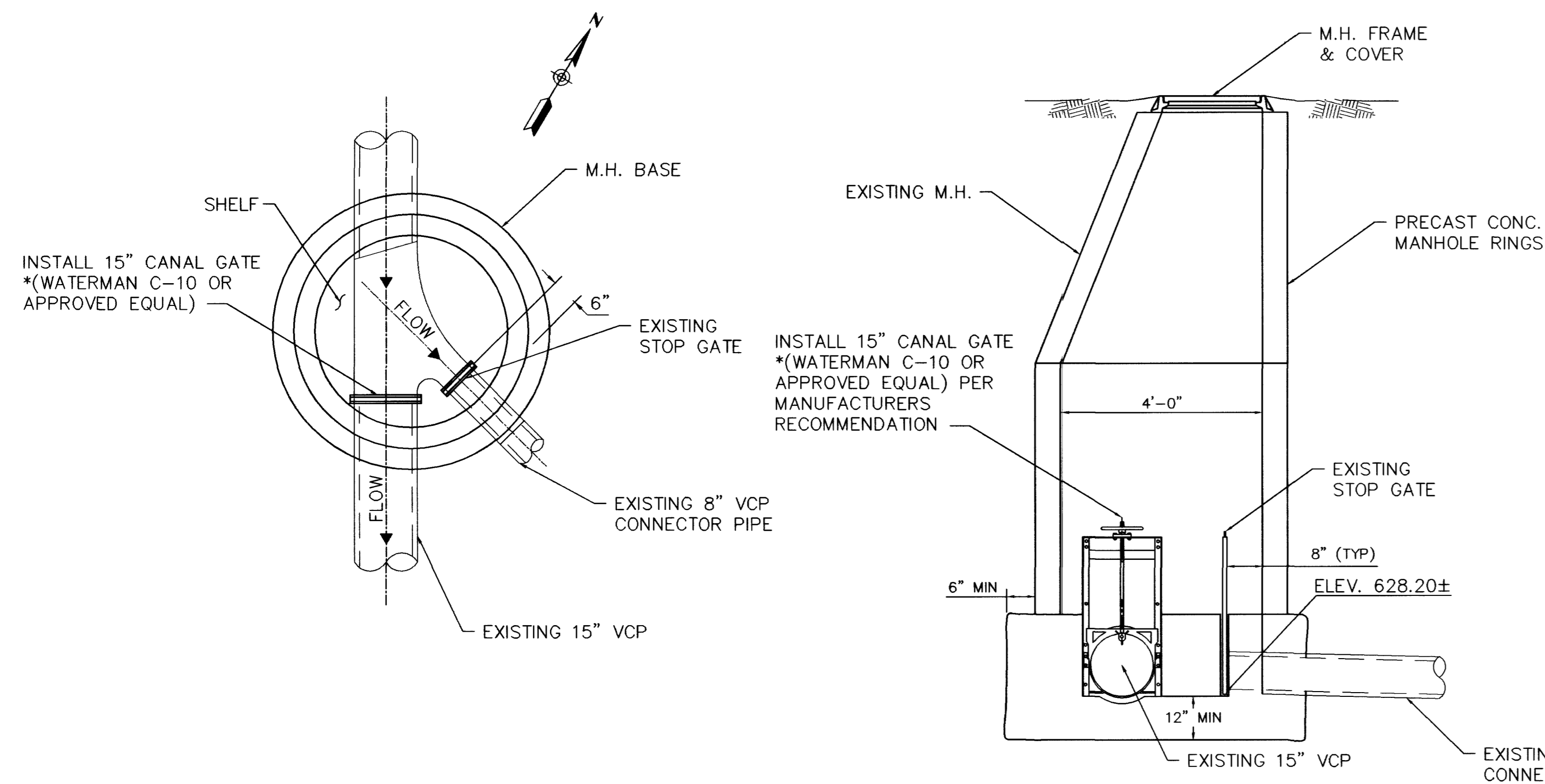


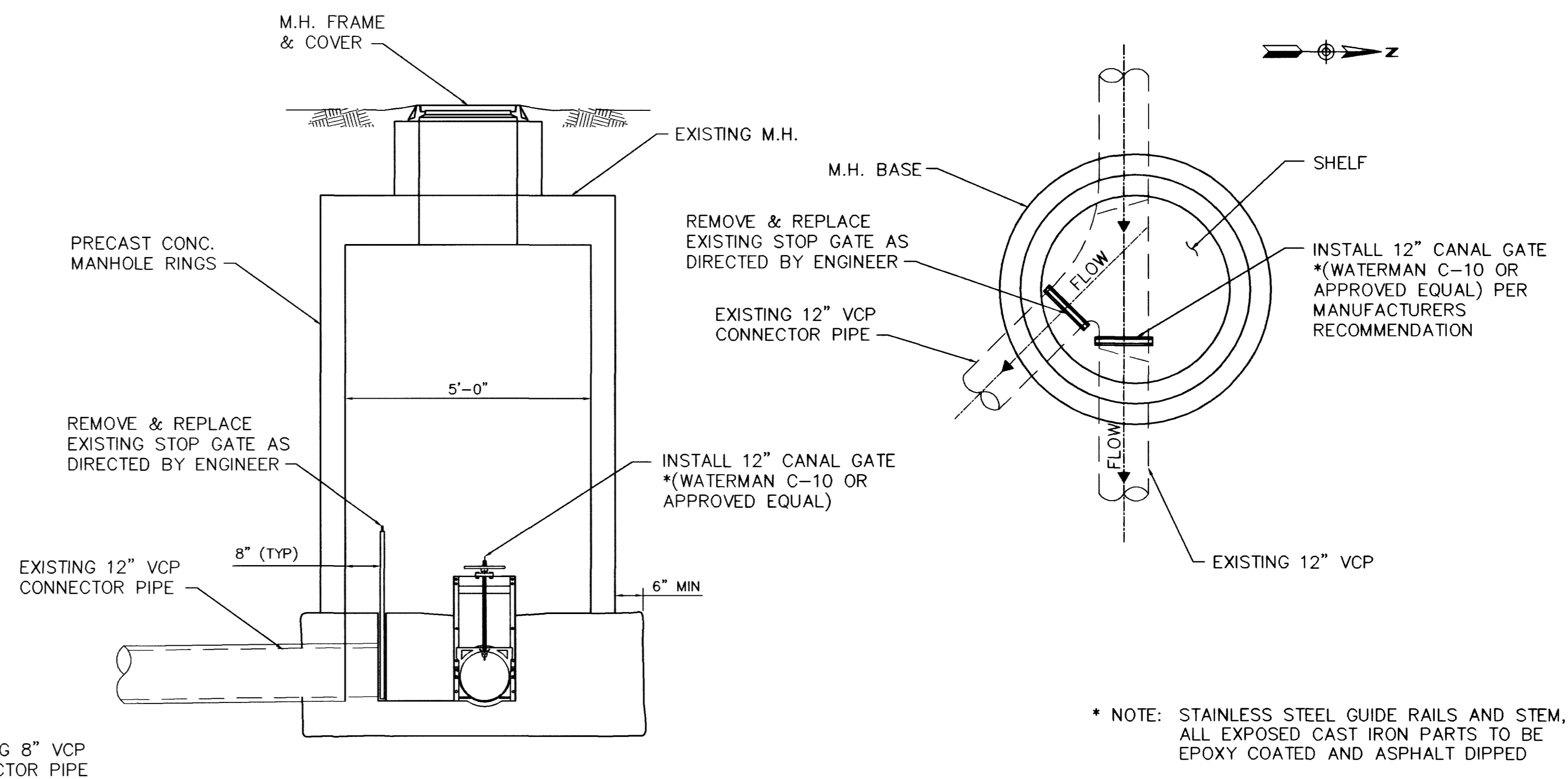
PARTIAL PLAN – RANCHO DRIVE & RANCHO LANE  
SCALE 250:1



PARTIAL PLAN – CHARLESTON BLVD & RANCHO DRIVE  
SCALE 250:1



RANCHO DR./RANCHO LANE  
DETAIL 1

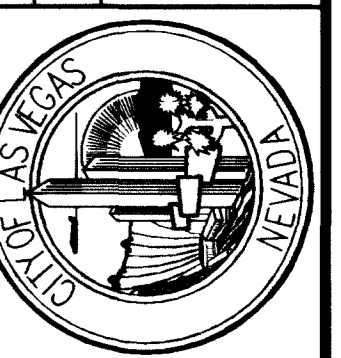


CHARLESTON BLVD./RANCHO DR.  
DETAIL 2

\* NOTE: STAINLESS STEEL GUIDE RAILS AND STEM,  
ALL EXPOSED CAST IRON PARTS TO BE  
EPOXY COATED AND ASPHALT DIPPED

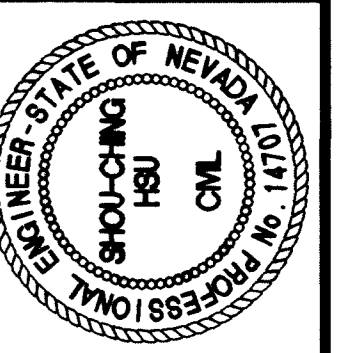
REVISIONS	DATE
RECORD DRAWING	4/30/03

SCALE (H) NTS	SCALE (V) NTS	PROJECT #	DESIGN BY
F.L.D. BK. # N/A	DEC 17, 1999	31604	



**PARSONS BRINCKERHOFF**  
Las Vegas, Nevada

**DEPARTMENT OF PUBLIC WORKS**  
I-15 FREEWAY CHANNEL  
CANAL GATE STRUCTURES



DRAWING No. U-50  
241

RECORD DRAWING METRIC