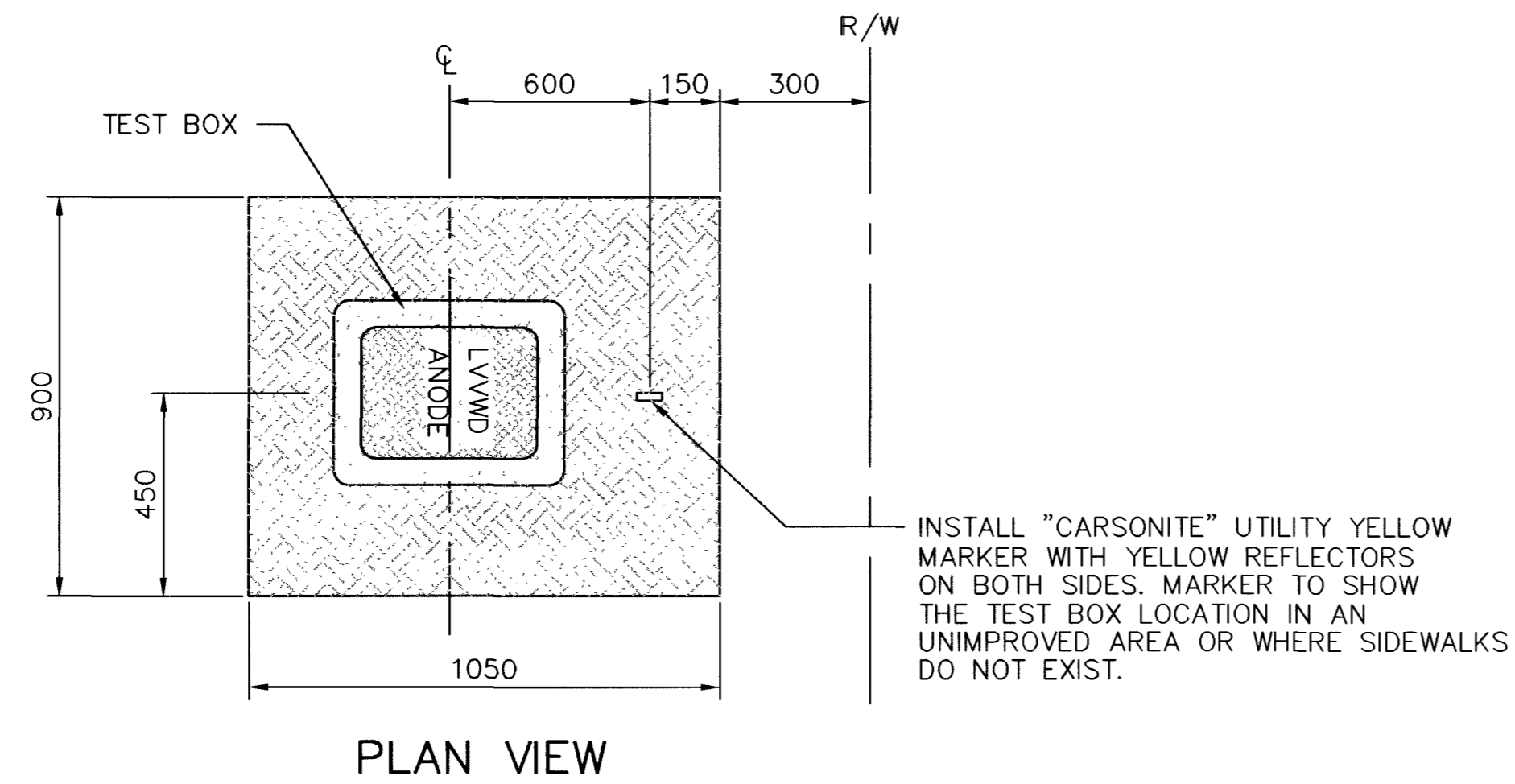
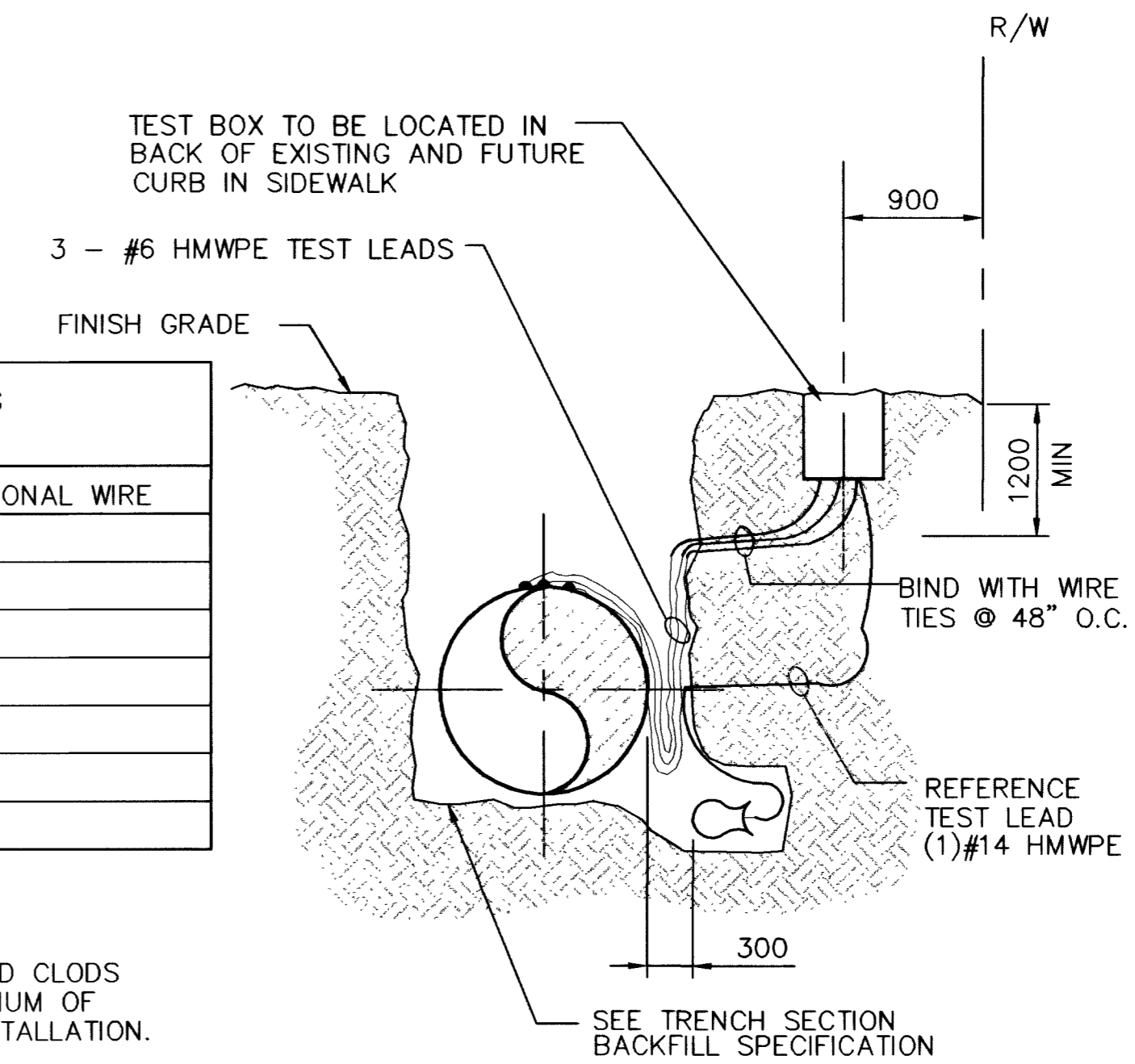


ALL DIMENSIONS ARE IN MILLIMETERS UNLESS OTHERWISE NOTED



PLAN VIEW

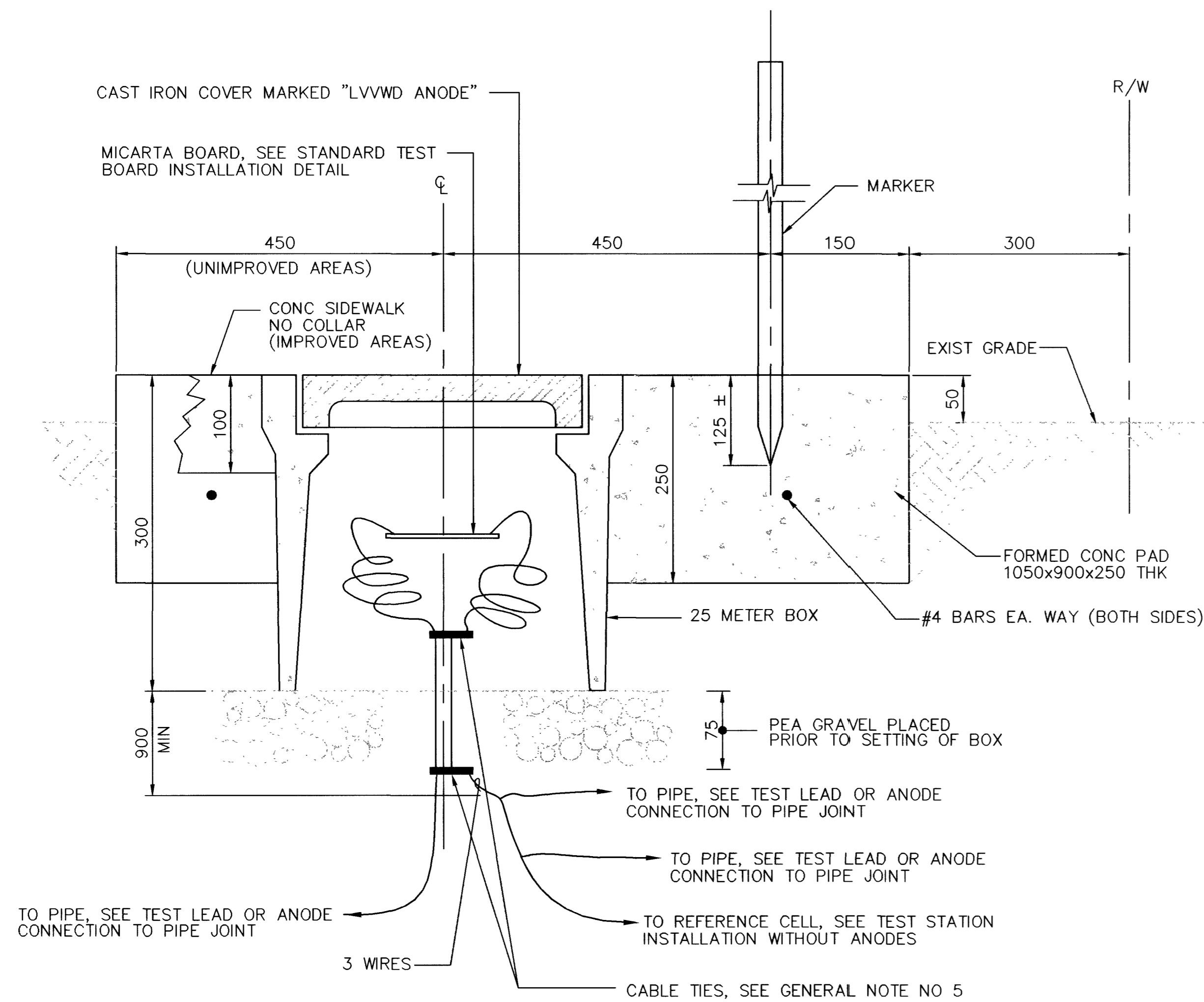
APPROXIMATE PIPELINE STATIONING OF TEST STATIONS		
SHEET NO	STATION	ADDITIONAL WIRE
U-36	"O" 1+383.493, 12.106m LT	
U-37	"W" 1+392.736, 10.973m LT	



SECTION A-A

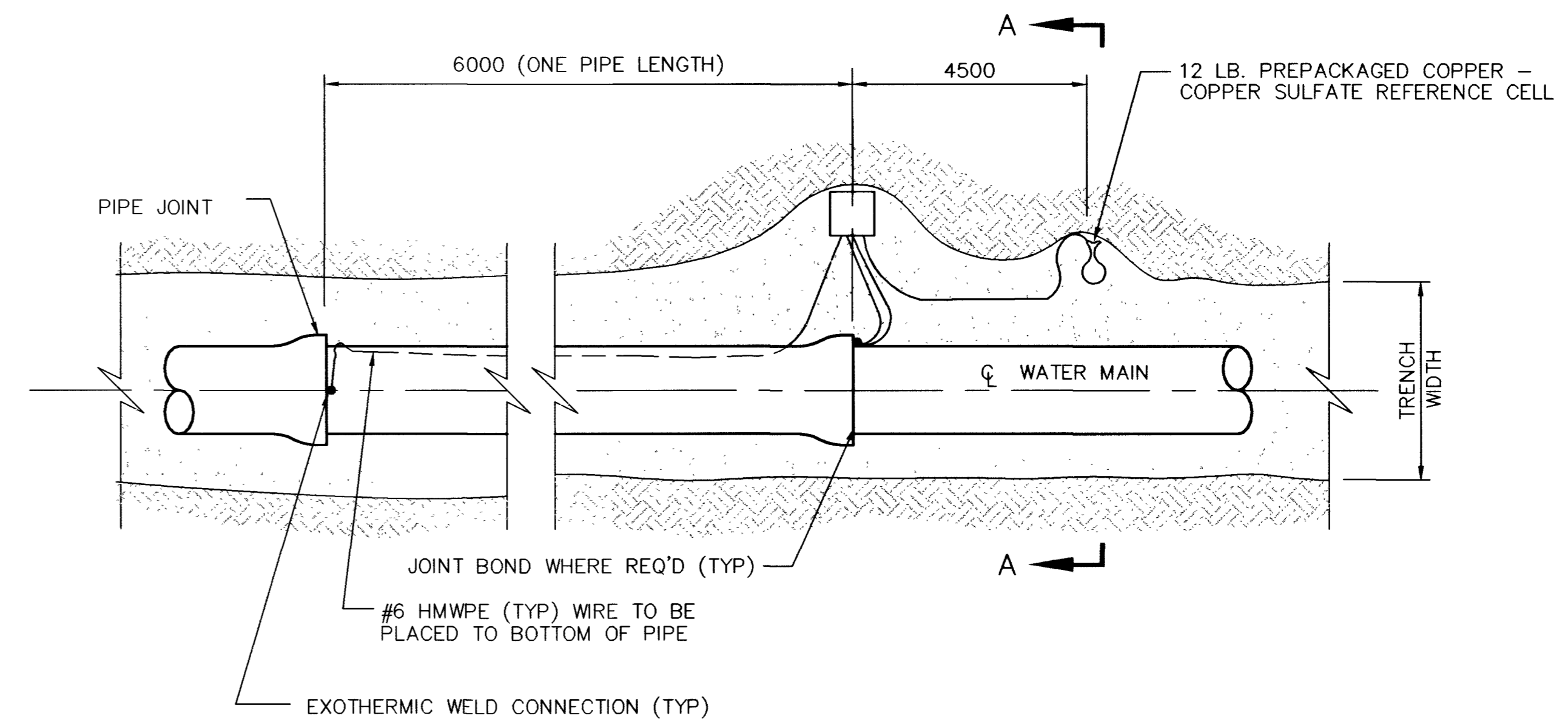
NOTES:

- USE ONLY NATIVE SOIL FREE OF ROCKS AND CLODS FOR BACKFILL AROUND CELLS WITH A MINIMUM OF 5 GALS OF WATER SATURATION DURING INSTALLATION. DO NOT USE SAND AS BACKFILL.
- SUPPLY ENOUGH WIRE FROM EACH LEAD TO REACH FULL R/W WIDTH PLUS 1500mm OF ADDITIONAL. COIL WIRE IN BOTTOM OF BOX.



ALL CONCRETE COLLARS TO BE FORMED 250mm THICK

TEST BOX DETAIL - TYPICAL



PLAN VIEW

TEST STATION INSTALLATION WITHOUT ANODES

APPROVED FOR CONSTRUCTION

LAS VEGAS VALLEY WATER DISTRICT DATE

DATE	4/30/03
REVISIONS	
RECORD DRAWING	
PROJECT #	31604
DESIGN BY	LVWD
DATE	DEC 17, 1999
SCALE (V)	1:10 m
SCALE (H)	1:10 m
F.L.D. Bk. #	N/A



DEPARTMENT OF PUBLIC WORKS
I-15 FREEWAY CHANNEL
UTILITY DETAILS



DRAWING No. 205
U-46

RECORD DRAWING METRIC

327-V254