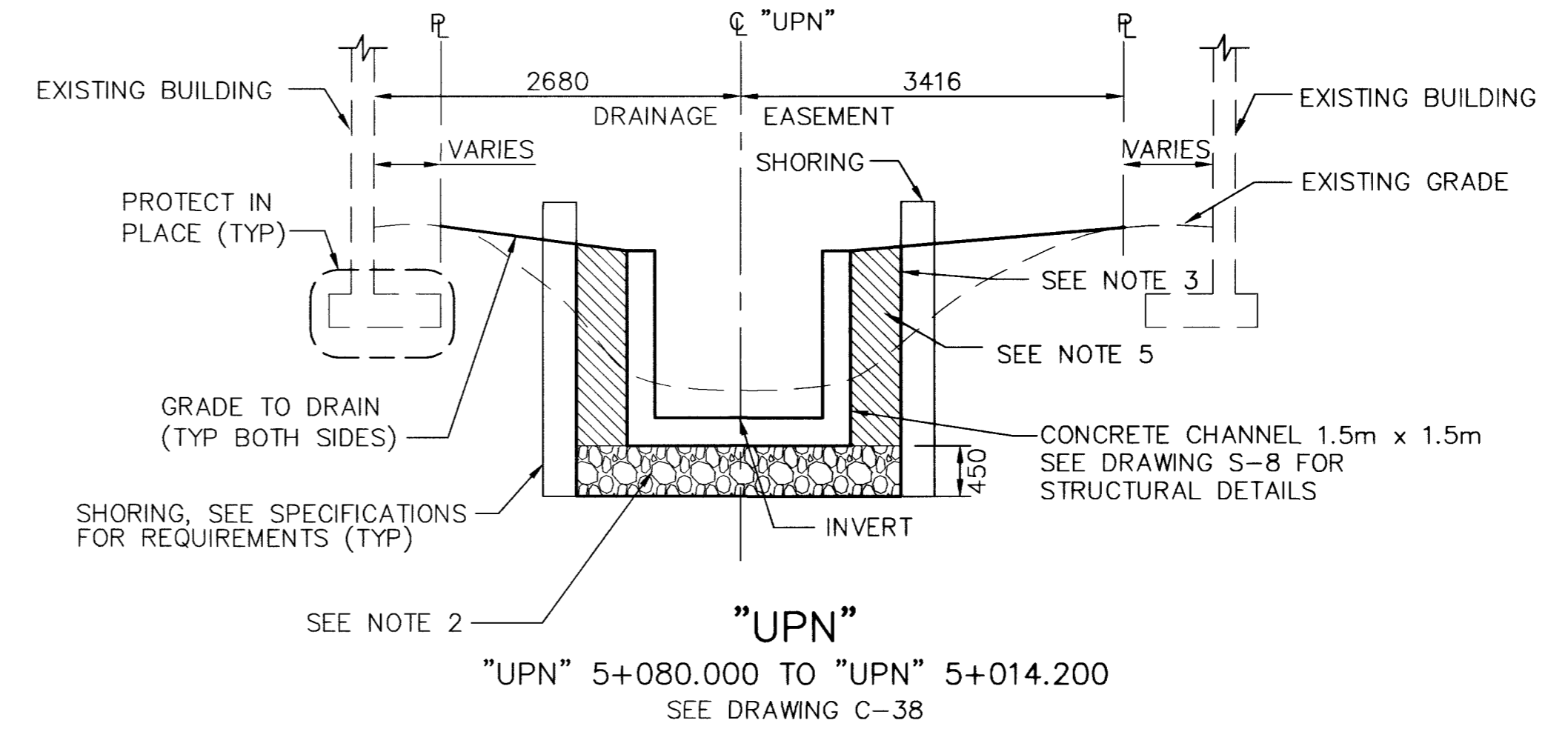
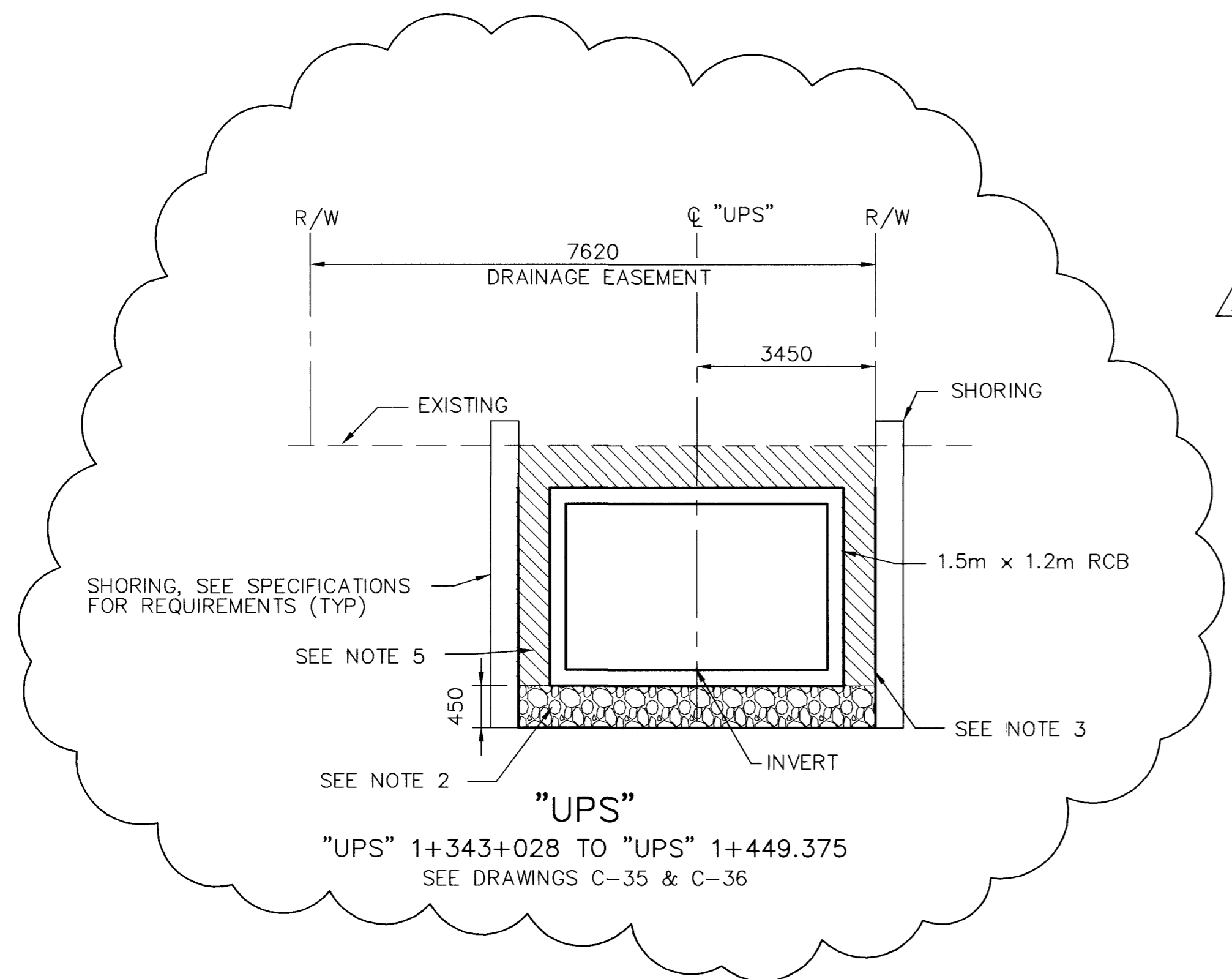


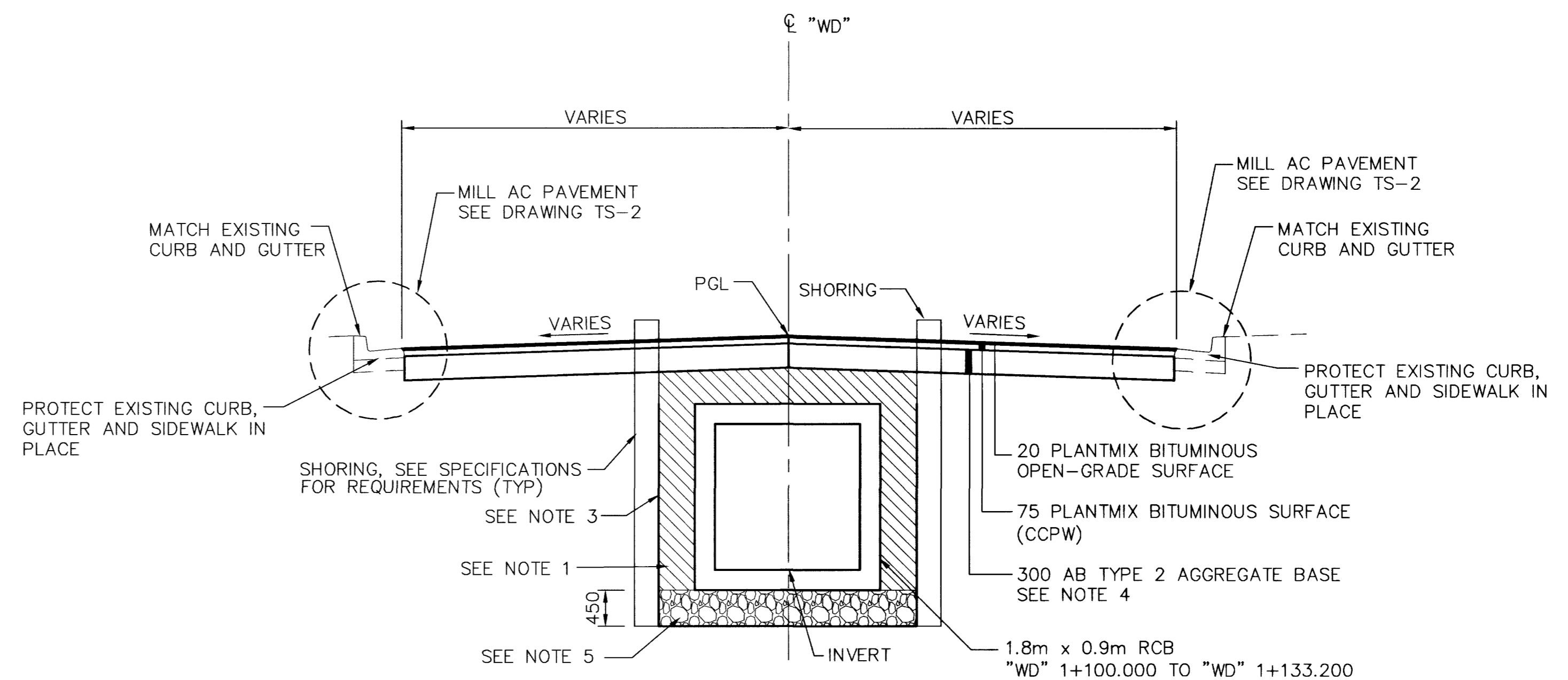
ALL DIMENSIONS ARE IN MILLIMETERS UNLESS OTHERWISE NOTED.



"UPN"  
"UPN" 5+080.000 TO "UPN" 5+014.200  
SEE DRAWING C-38



"UPS"  
"UPS" 1+343+028 TO "UPS" 1+449.375  
SEE DRAWINGS C-35 & C-36

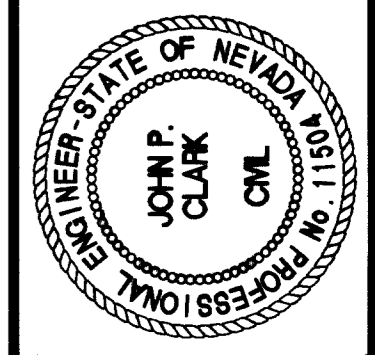


WALDMAN AVENUE  
"WD" 1+082.000 TO "WD" 1+220.000  
SEE DRAWINGS C-20 AND C-21

- NOTES:
1. READY MIX FLOWABLE BACKFILL. SEE SPECIFICATIONS FOR REQUIREMENTS
  2. TYPE 2 BEDDING TO BE COMPACTED TO 95% PER ASTM D1557. SEE SPECIFICATIONS FOR REQUIREMENTS
  3. SEE SPECIFICATIONS FOR GEOTEXTILE REQUIREMENTS
  4. TYPE 2 AGGREGATE TO BE COMPACTED TO 95% PER ASTM D1557.
  5. RCB GRANULAR BACKFILL TO BE COMPACTED TO 95% PER ASTM D1557. SEE SPECIFICATIONS FOR REQUIREMENTS
  6. GEOTEXTILE FILTER FABRIC MAY BE OMITTED ADJACENT TO READY-MIX FLOWABLE FILL WHERE THIS MATERIAL IS USED AS A BACKFILL.

DATE	REVISIONS	PROJECT #	SCALE (V)	SCALE (H)	FLD. BK. #
4/22/00		31604	N/A	N/A	N/A
4/20/01	ADDITION 3	DESIGN BY	DEC 17, 1999		
4/20/03	REVISED UPS ALIGNMENT RECORD DRAWING	RGR			

DEPARTMENT OF PUBLIC WORKS  
I-15 FREEWAY CHANNEL  
TYPICAL SECTIONS



DRAWING No. 13  
TS-8  
241