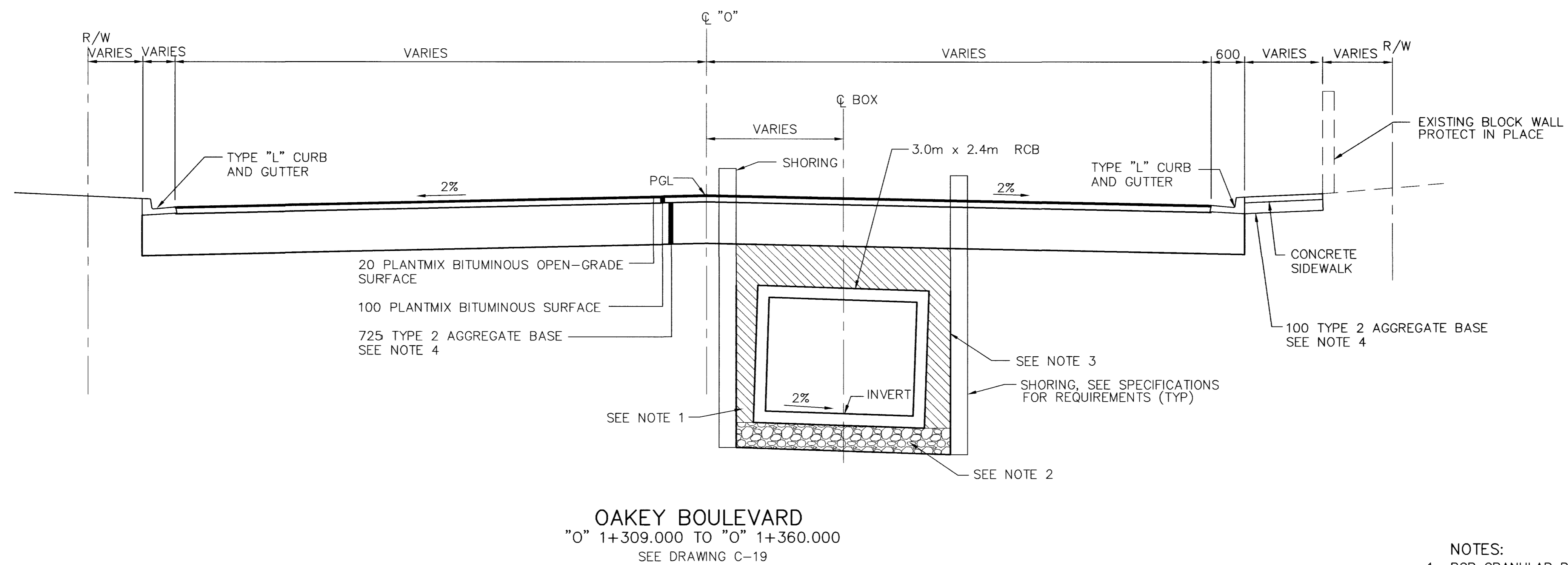
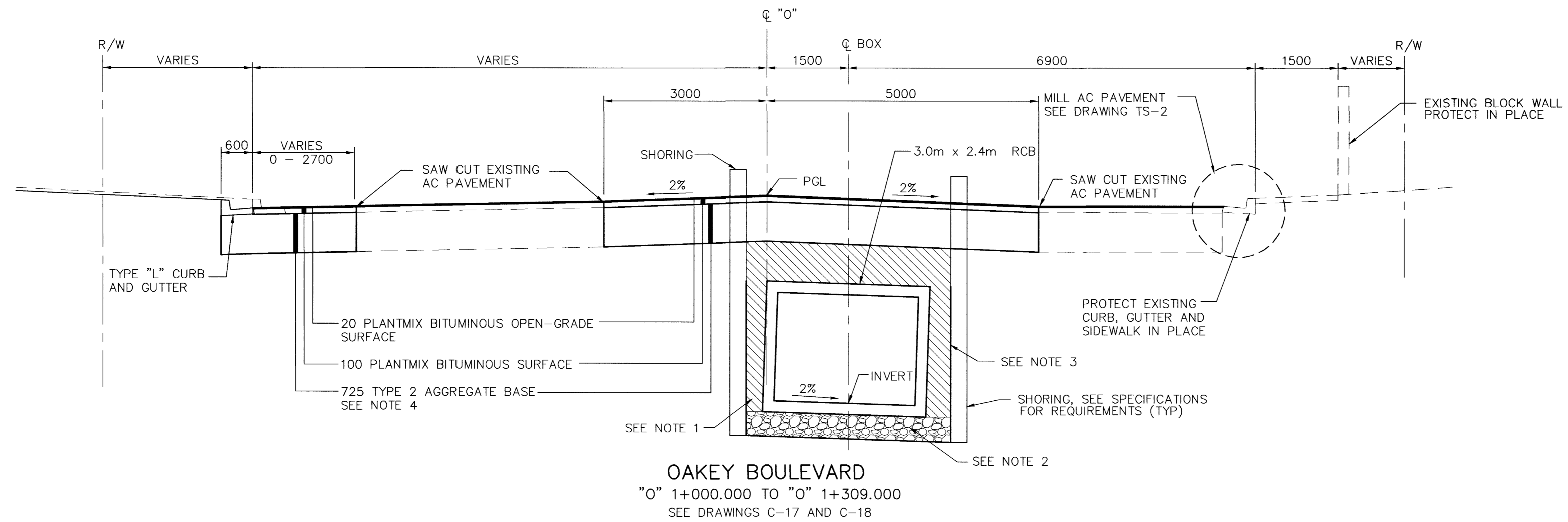


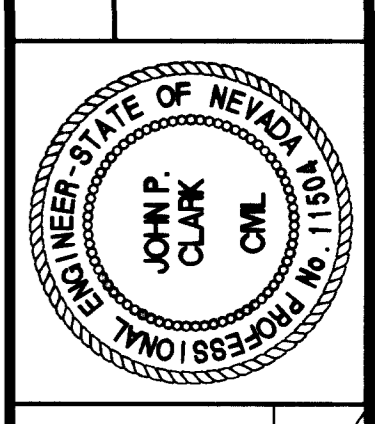
ALL DIMENSIONS ARE IN MILLIMETERS
UNLESS OTHERWISE NOTED.



- NOTES:
- RCB GRANULAR BACKFILL TO BE COMPACTED TO 95% PER ASTM D1557 UNLESS OTHERWISE NOTED. SEE SPECIFICATIONS FOR REQUIREMENTS
 - BEDDING TO BE COMPACTED TO 95% PER ASTM D1557. SEE SPECIFICATIONS FOR REQUIREMENTS
 - SEE SPECIFICATIONS FOR GEOTEXTILE REQUIREMENTS
 - TYPE 2 AGGREGATE TO BE COMPACTED TO 95% PER ASTM D1557.
 - GEOTEXTILE FILTER FABRIC MAY BE OMITTED ADJACENT TO READY-MIX FLOWABLE FILL WHERE THIS MATERIAL IS USED AS A BACKFILL.

DATE	4/12/00
REVISIONS	ADDITION 3
PROJECT #	31604
SCALE (V)	N/A
SCALE (H)	N/A
DATE	DEC 17, 1999
DESIGN BY	DSP
FLD. BK. #	N/A
RECORD DRAWING	

DEPARTMENT OF PUBLIC WORKS
I-15 FREEWAY CHANNEL
TYPICAL SECTIONS



DRAWING No. 10
TS-5

52461

RECORD DRAWING METRIC

327-V254