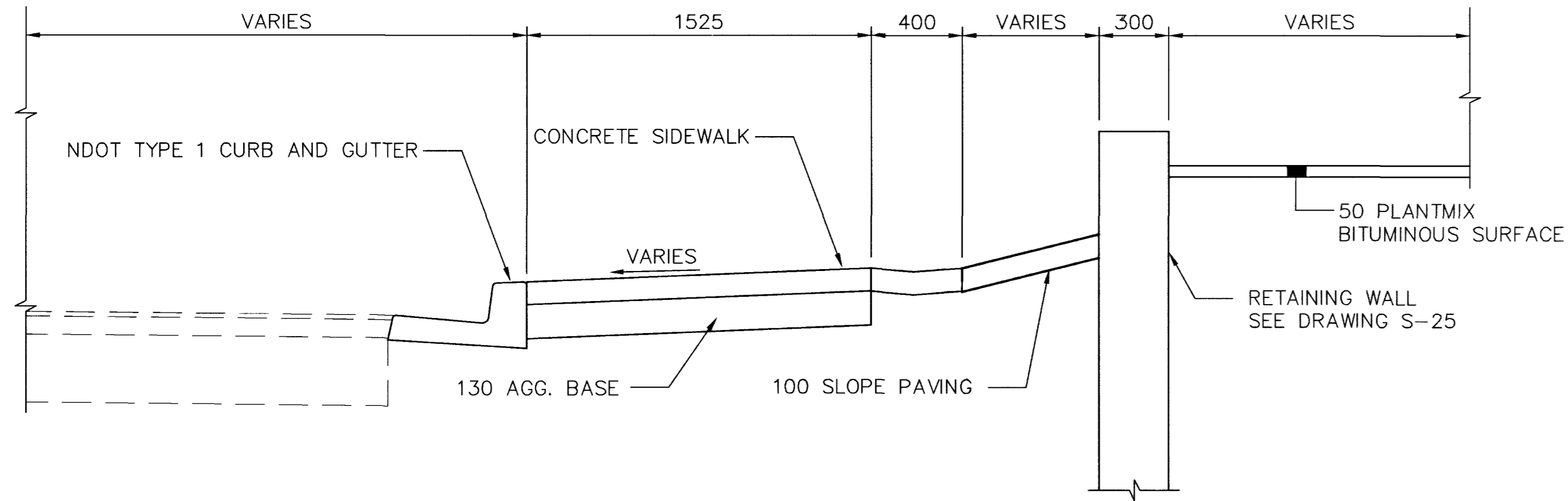
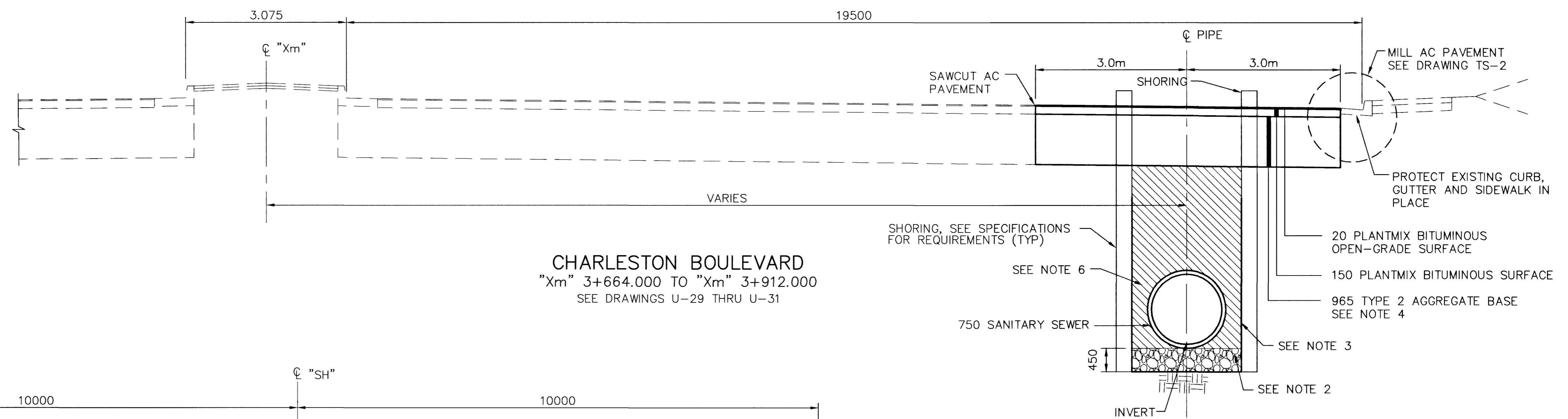


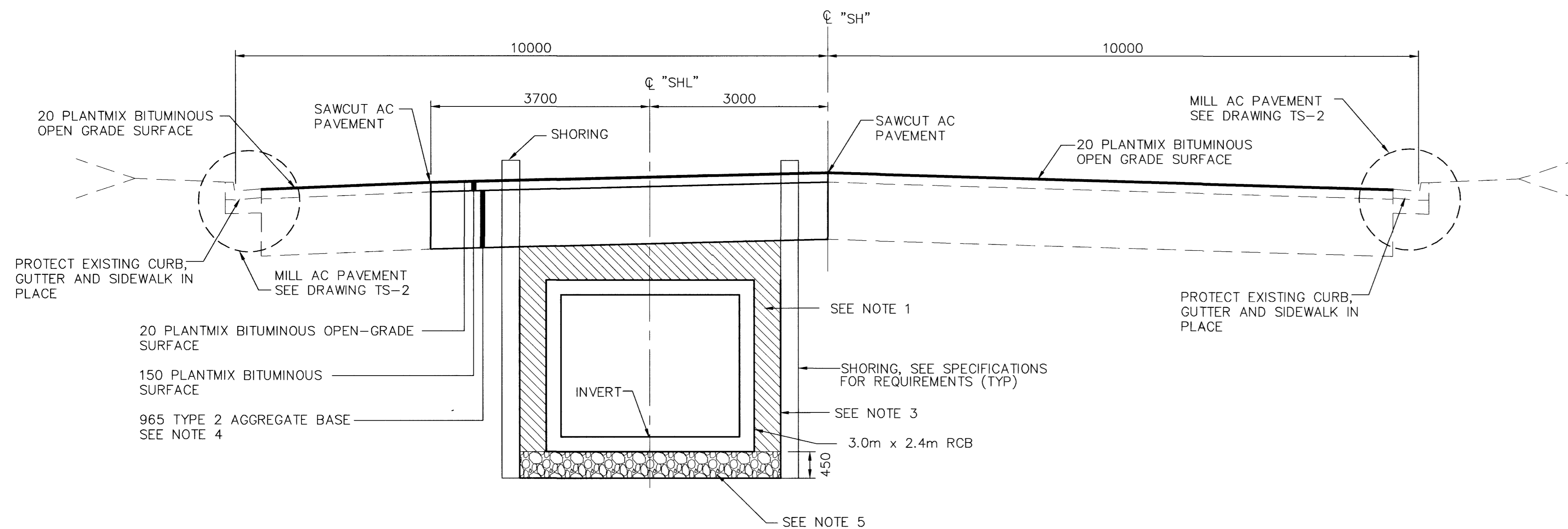
ALL DIMENSIONS ARE IN MILLIMETERS UNLESS OTHERWISE NOTED.



CHARLESTON BOULEVARD
 "Xm" 3+637.302 TO "Xm" 3+662.877
 SEE DRAWING U-29



CHARLESTON BOULEVARD
 "Xm" 3+664.000 TO "Xm" 3+912.000
 SEE DRAWINGS U-29 THRU U-31



SHADOW LANE
 "SHL" 0+989.564 TO "SHL" 1+311.000
 SEE DRAWINGS C-43 THRU C-45

- NOTES:
1. READY MIX FLOWABLE BACKFILL. SEE SPECIFICATIONS FOR REQUIREMENTS
 2. TYPE 2 BEDDING TO BE COMPACTED TO 95% PER ASTM D1557. SEE SPECIFICATIONS FOR REQUIREMENTS
 3. SEE SPECIFICATIONS FOR GEOTEXTILE REQUIREMENTS
 4. TYPE 2 AGGREGATE TO BE COMPACTED TO 95% PER ASTM D1557.
 5. BEDDING TO BE COMPACTED TO 95% PER ASTM D1557. SEE SPECIFICATIONS FOR REQUIREMENTS
 6. RCB GRANULAR BACK FILL TO BE COMPACTED TO 95% PER ASTM D1557. SEE SPECIFICATIONS FOR REQUIREMENTS
 7. SEE USCCA DRAWING FOR PIPE DETAILS.
 8. GEOTEXTILE FILTER FABRIC MAY BE OMITTED ADJACENT TO READY-MIX FLOWABLE FILL WHERE THIS MATERIAL IS USED AS A BACKFILL.

DATE	4/7/00	REVISIONS	
	4/30/03		
PROJECT #	31604	DESIGN BY	DSP
SCALE (V)	N/A	DATE	DEC 17, 1999
SCALE (H)	N/A	FLD. BK. #	N/A
DEPARTMENT OF PUBLIC WORKS I-15 FREEWAY CHANNEL TYPICAL SECTIONS			
DRAWING No.	17	TS-12	
	241		

52466

K:\31604\Record-awgs\ts-12.awg, 05/16/2003 04:25:46 PM, craftr