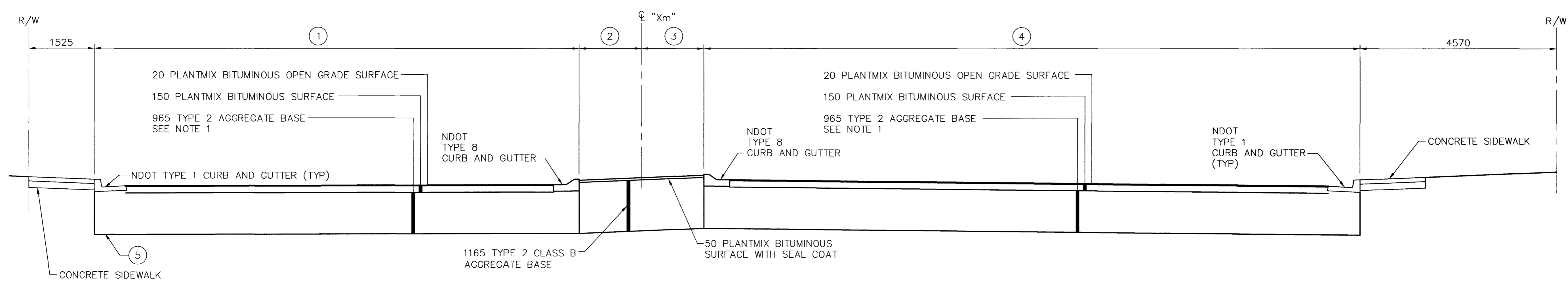


ALL DIMENSIONS ARE IN MILLIMETERS
UNLESS OTHERWISE NOTED.



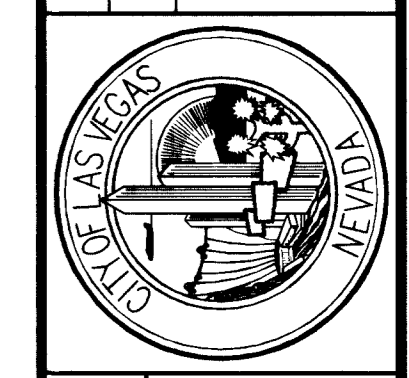
CHARLESTON BOULEVARD
"Xm" 3+226.244 TO "Xm" 3+243.387
SEE DRAWING R-34

- ① VARIES "Xm" 3+215.000 11278 TO
VARIES "Xm" 3+250.000 12192
- ② VARIES "Xm" 3+215.000 1981 TO
VARIES "Xm" 3+250.000 600
- ③ VARIES "Xm" 3+215.000 0 TO
VARIES "Xm" 3+250.000 2743
- ④ VARIES "Xm" 3+215.000 17608 TO
VARIES "Xm" 3+250.000 19507
- ⑤ TYPE 1 CURB AND GUTTER
"Xm" 3+215.000 TO "Xm" 3+244.500

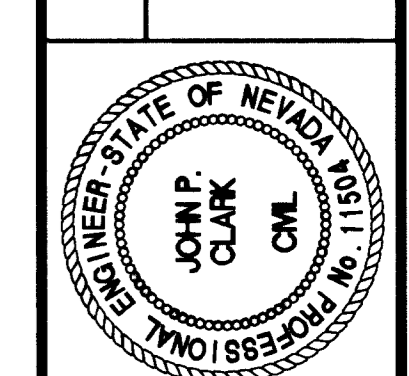
NOTES:
1. TYPE 2 AGGREGATE TO BE COMPACTED TO 95%
PER ASTM D1557.

REVISIONS	DATE
RECORD DRAWING	4/20/03

PROJECT # 31604	DESIGN BY DSP
SCALE (V) N/A	DATE DEC 17, 1998
SCALE (H) N/A	FLD. BK. # N/A



DEPARTMENT OF PUBLIC WORKS
I-15 FREEWAY CHANNEL
TYPICAL SECTIONS



DRAWING No.	16
TS-11	241

52467

RECORD DRAWING METRIC

327-V254