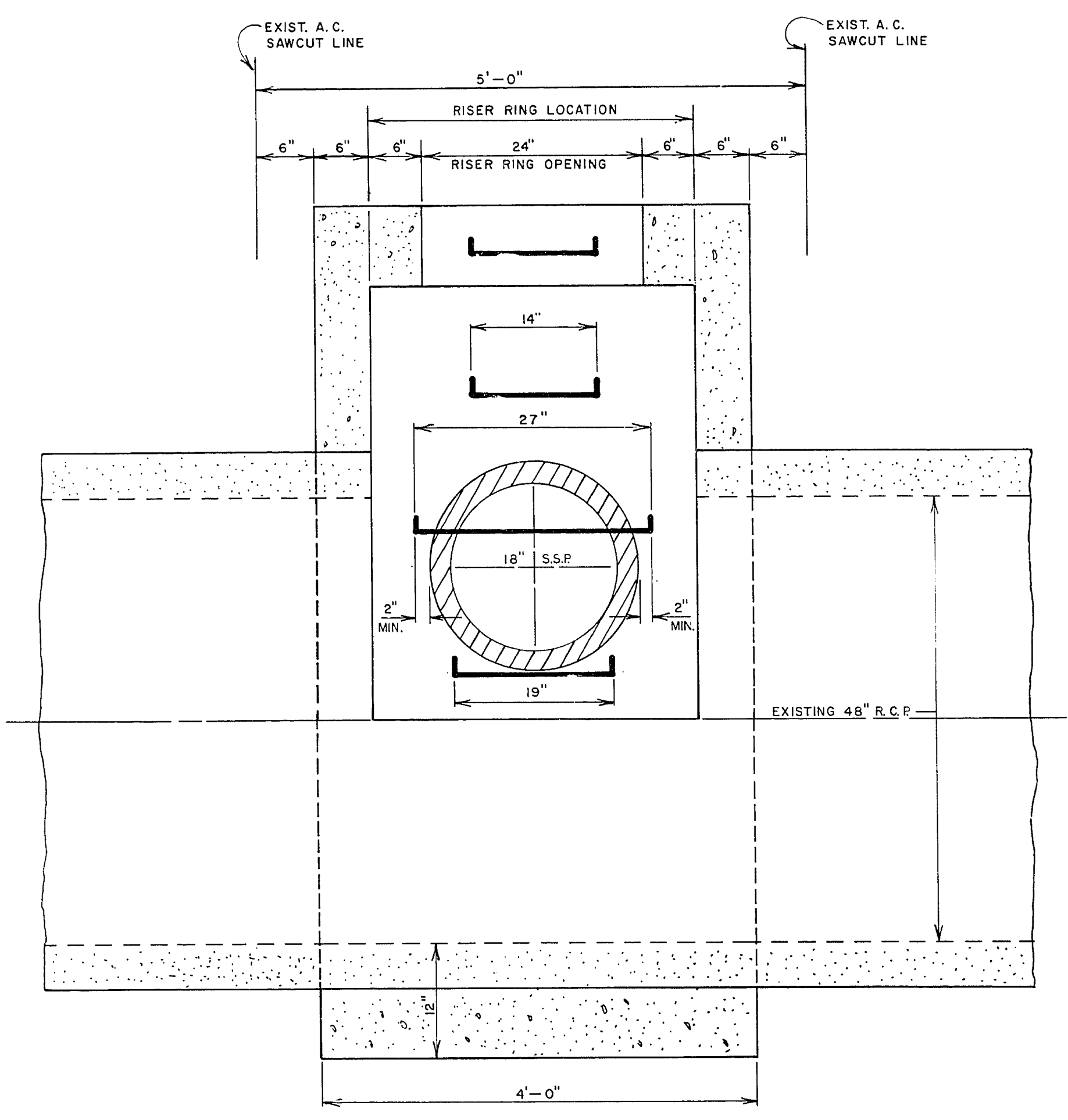
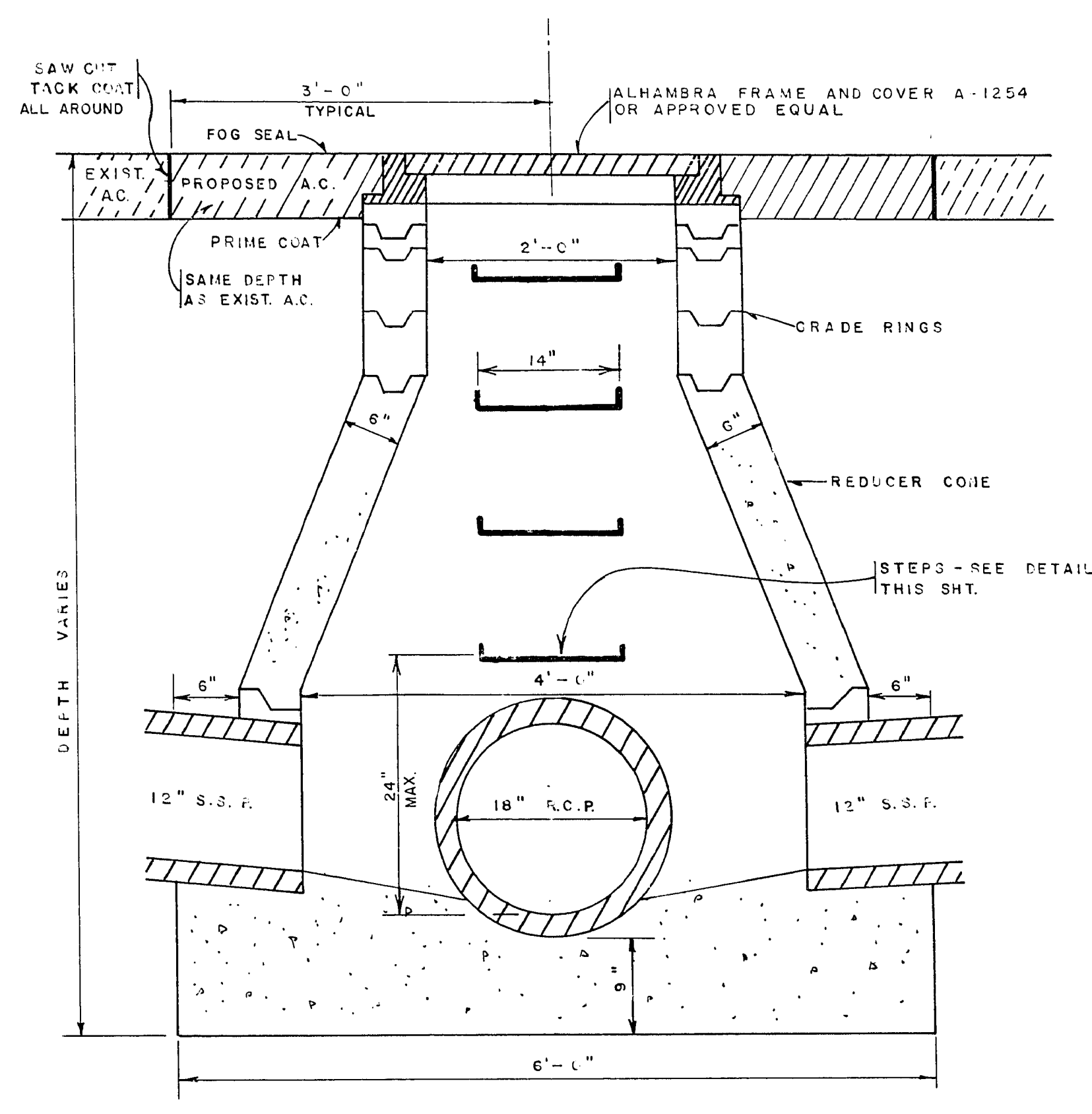


**JUNCTION BOX  
PLAN VIEW**  
SCALE: 1" = 1'

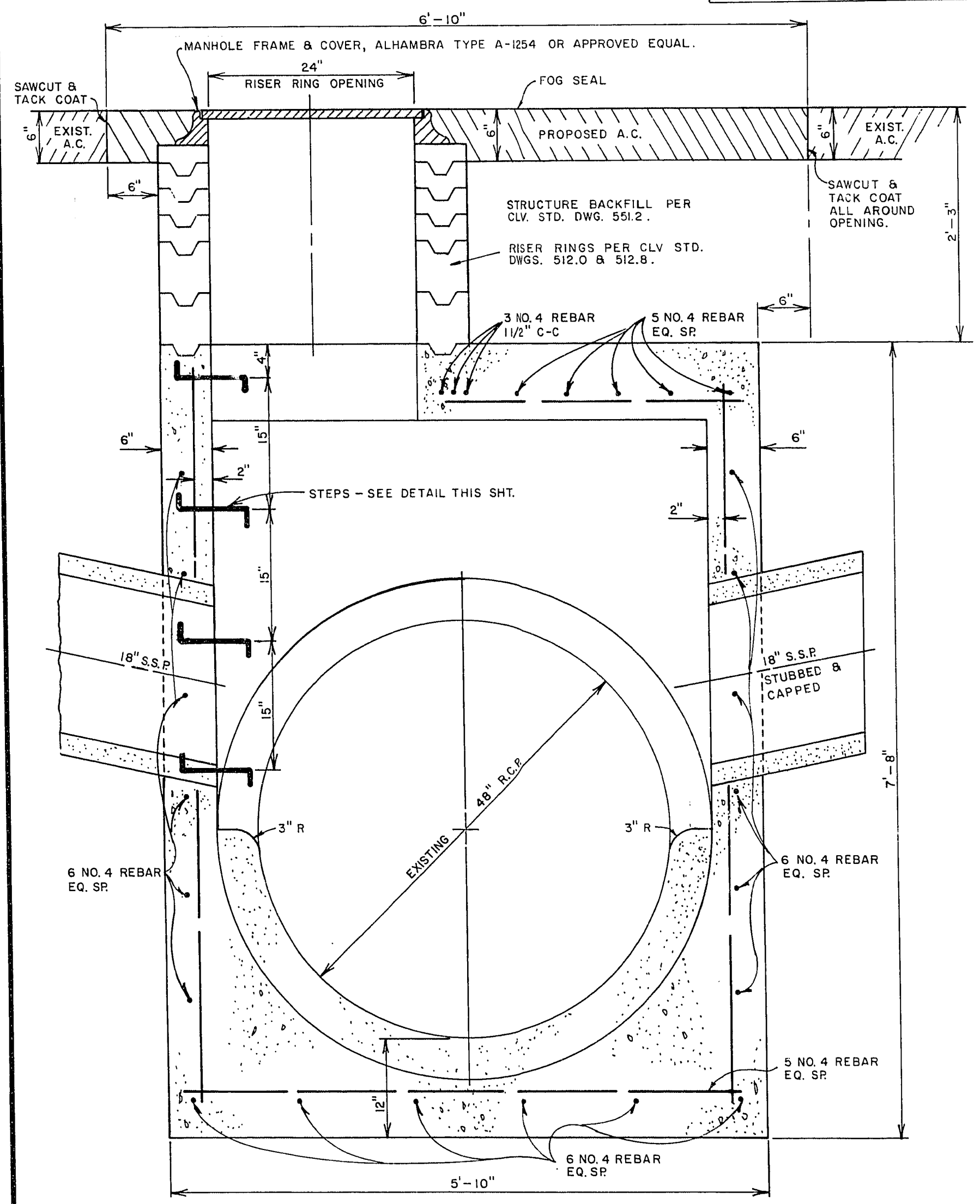
- GENERAL NOTES**
- 8" MIN. TYPE II GRAVEL BASE BEDDING WHERE NATURAL GROUND IS UNSTABLE.
  - STRUCTURAL CONCRETE TYPE X PORTLAND CEMENT CLASS 5583000.
  - ALL MANHOLE COVERS SHALL RECEIVE 1-COAT OF BASE METAL PRIMER PAINT.
  - REINFORCEMENT STEEL REBAR SHALL BE DEFORMED INTERMEDIATE GRADE BILLET STEEL CONFORMING TO ASTM A-15.
  - STORM DRAIN MANHOLES PER "UNIFORM STANDARD DWGS FOR PUBLIC WORKS CONST., CLARK COUNTY AREA" - DWG. NO. 512.4.



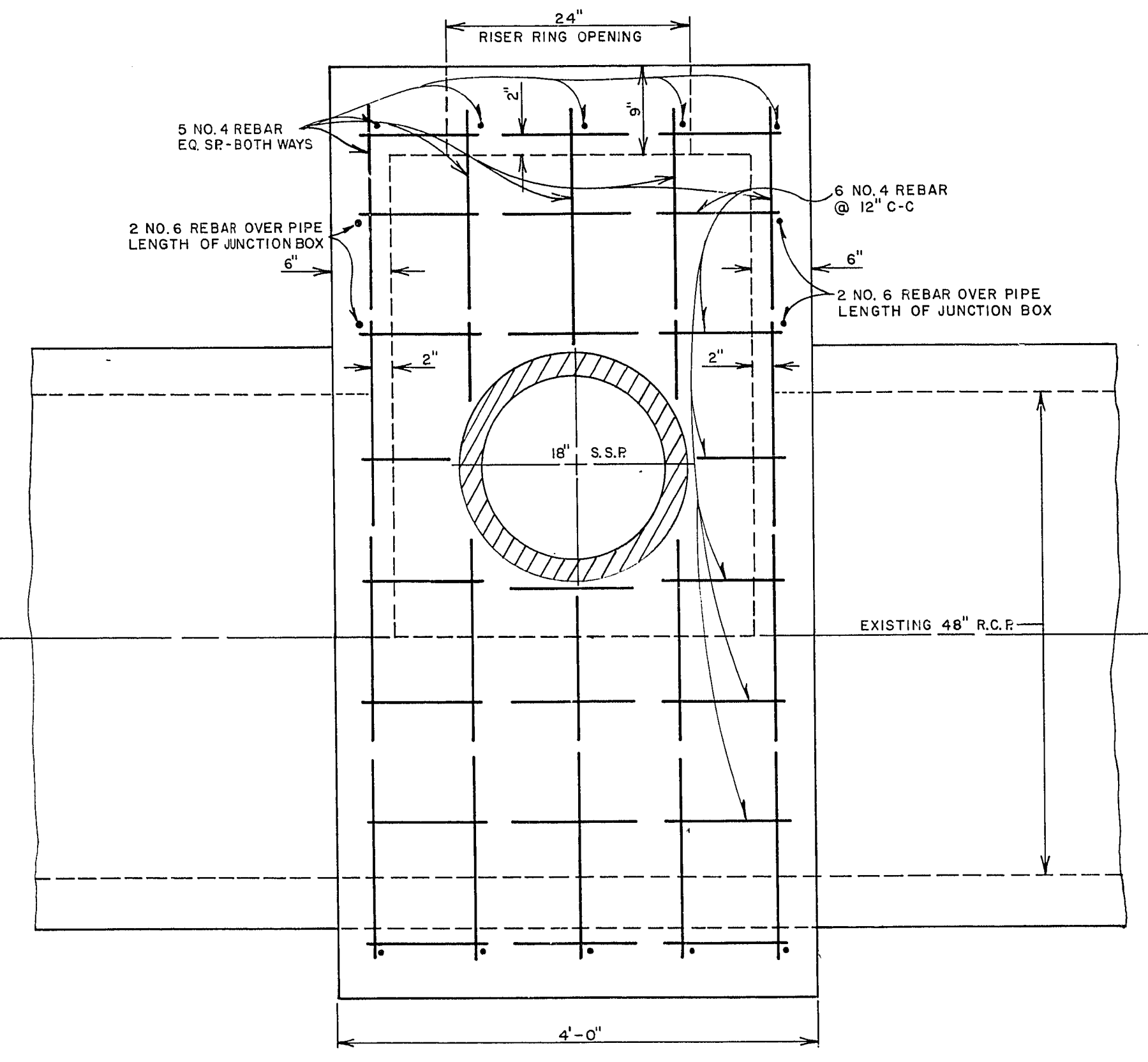
**SECTION B-B**  
SCALE: 1" = 1'



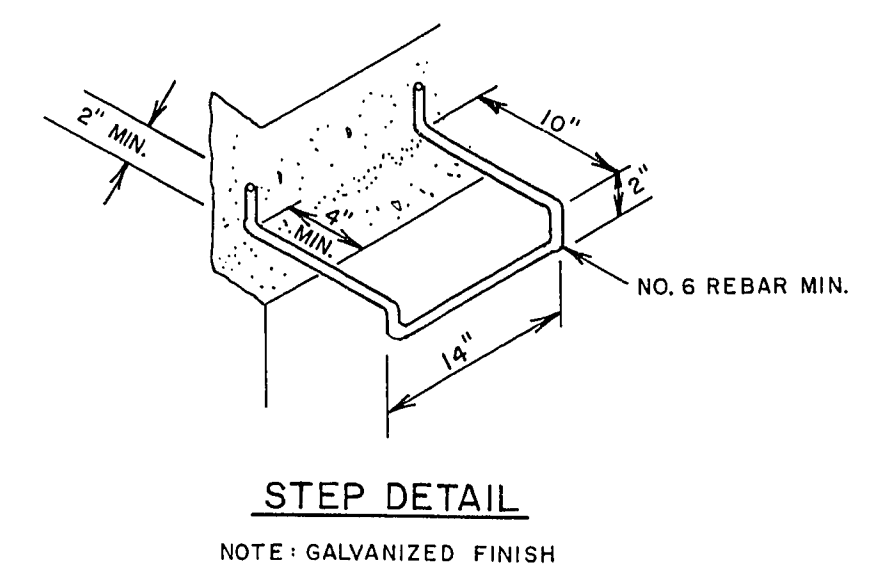
**STORM DRAIN MANHOLE**  
M.H. 1, M.H. 2, M.H. 5  
SCALE: 1" = 1'



**SECTION A-A**  
SCALE: 1" = 1'



**ELEVATION**  
SCALE: 1" = 1'



**STEP DETAIL**  
NOTE: GALVANIZED FINISH

NOTE: ALL S.S.P. DIMENSIONS ARE CALCULATED WITH R.C.P. WALL THICKNESSES AND MINIMUM CLEARANCES.

Department of Public Services		Engineering Design Division	
FREMONT ST.		JUNCTION BOX AND STORM DRAIN MANHOLE	
STORM DRAINAGE SYSTEM		Scale (HAS SHOWN) Scale (HAS SHOWN) W.O. no. 3303	
		Fid. bk. no. 77-3X Date Feb. 6, 1978	
		Design by L. J. ROHN Drawn by P. WHITE Date	
		Approved by the Director of Public Services	
		Revisions	
		Date	
Drawing no. 327-V158A		9/12	