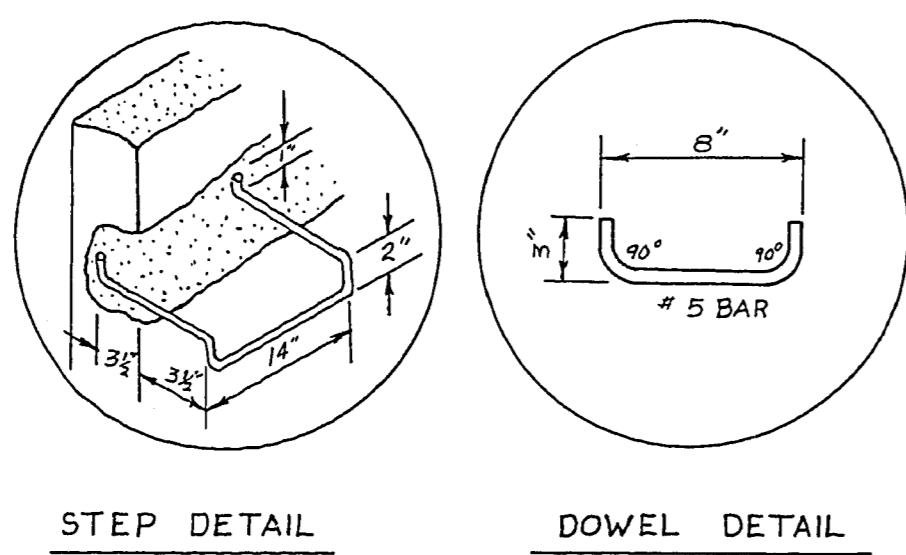


24-5-98



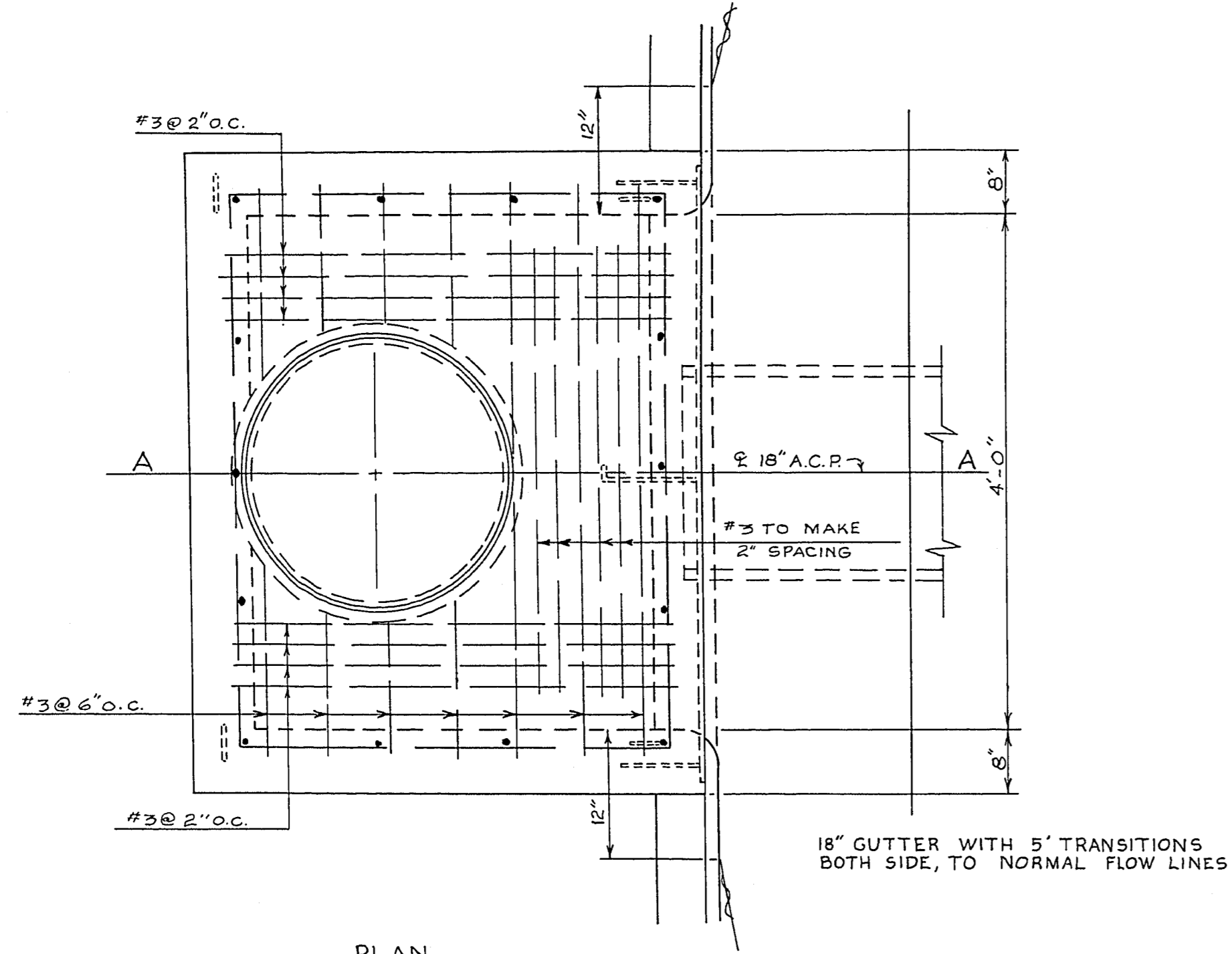
**DROP INLET NOTES**

1. F<sub>c</sub> = 3000 PSI @ 28 DAYS
2. CURVATURE OF THE LIPS @ GUTTER OPENINGS SHALL BE FORMED BY CURVED FORMS.
4. INLET OPENING TO BE PLACED ALONG BACK WALL.
5. OUTLET PIPE SHALL BE TRIMMED TO FINAL SHAPE AND LENGTH PRIOR TO POURING OF CONCRETE.
6. STEPS: IF V IS 3'-6" OR LESS - NONE REQUIRED  
IF V IS 3'-6" TO 4'-0" PLACE 1 STEP 12" ABOVE FLOOR  
IF V IS MORE THAN 4'-0" PLACE STEPS 17" APART WITH TOP STEP 6" BELOW TOP OF COVER SLAB.
7. 16 LF OF "L" TYPE C+6 TO BE INCLUDED IN COST OF DROP INLET.

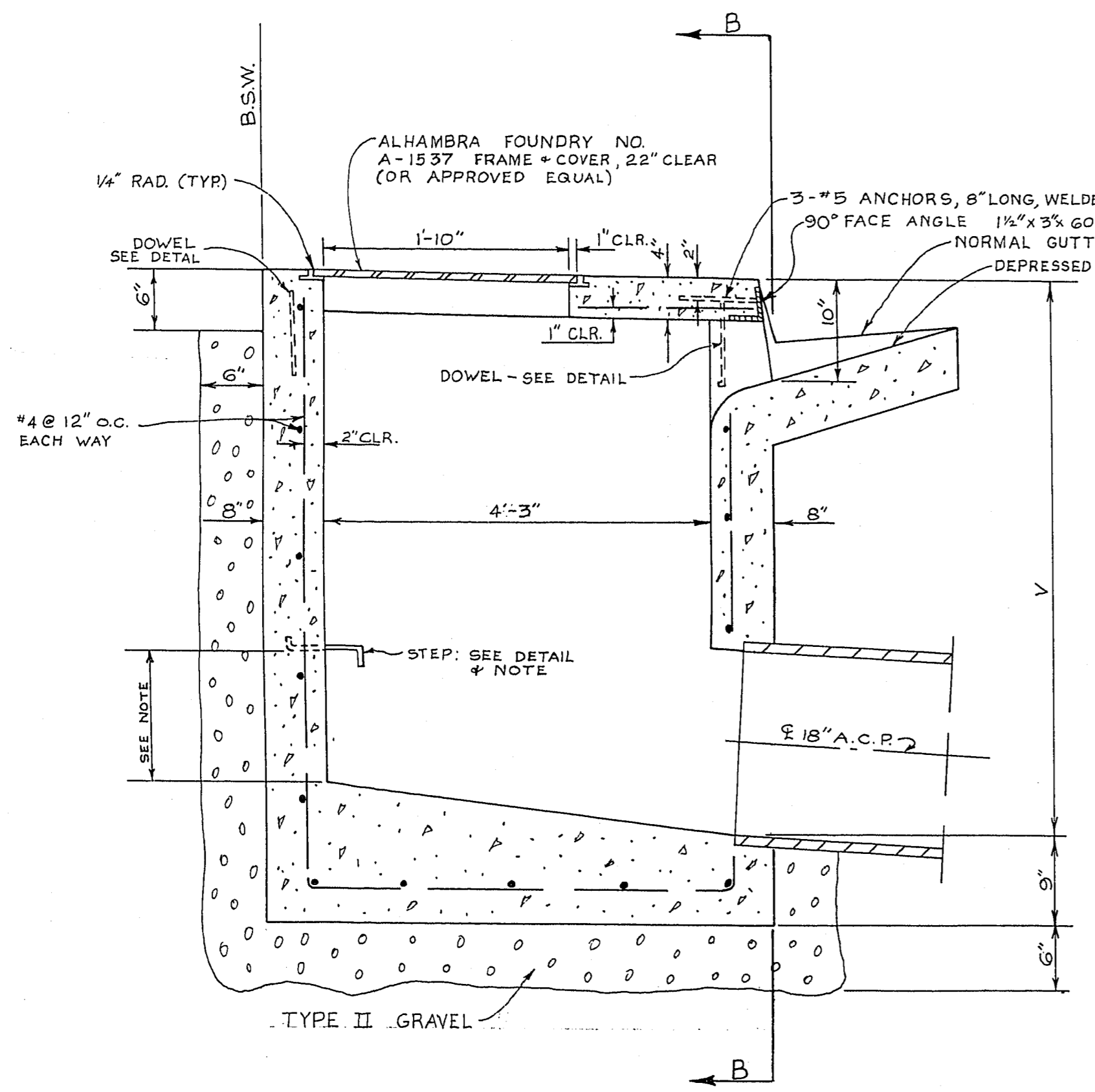
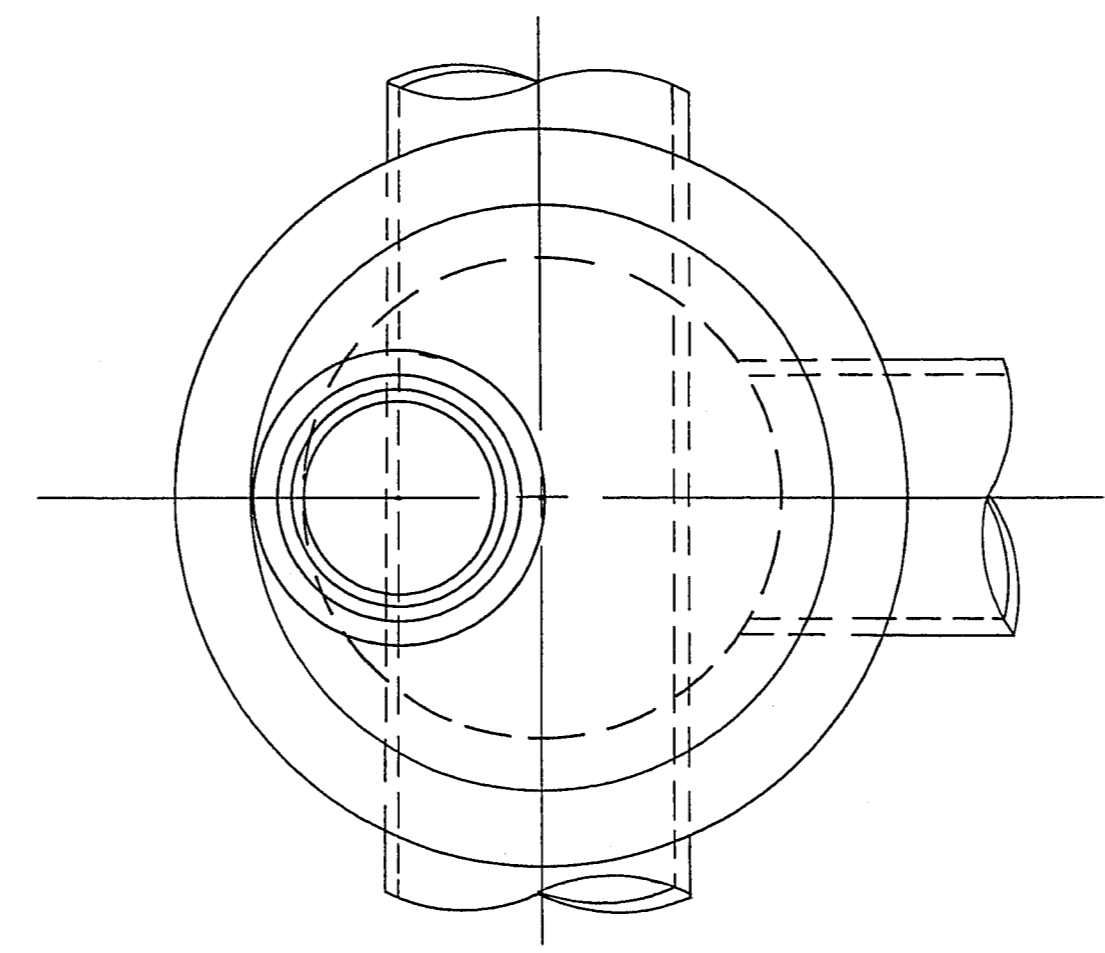
**NOTE:**

1. ALL PIPE LAYING METHODS PER. UNIFORM STANDARD DRAWING 551.1
2. ALL BACKFILL AND PAVEMENT REPLACEMENT PER UNIFORM STANDARD DRAWING 551.2
3. OUTLET PIPES MAY BE PLACED IN ANY POSITION AROUND THE WALL OF MANHOLES.

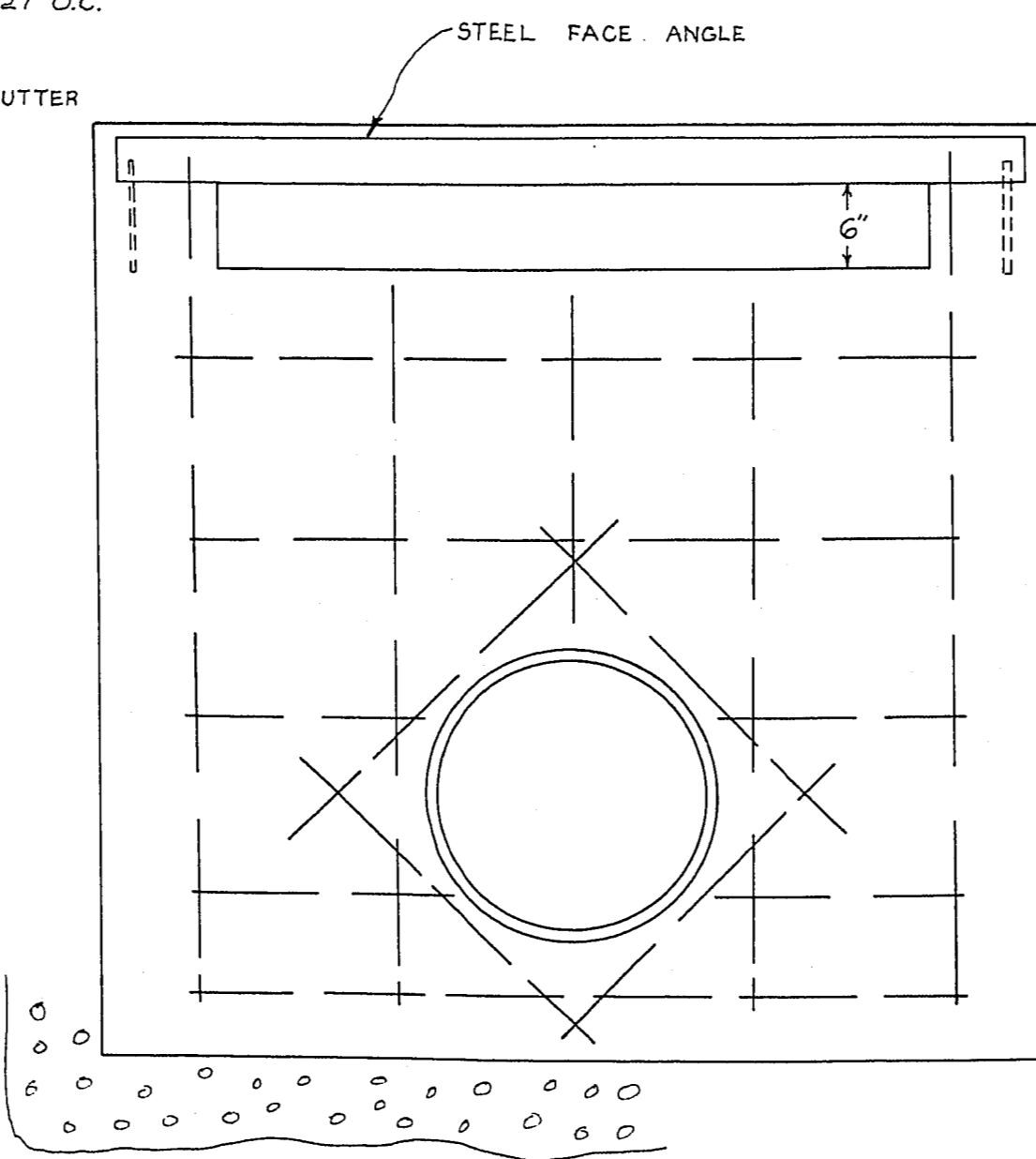
APPROX. QUANTITIES TOTAL		
ITEM NO.	DESCRIPTION	QUANTITY UNIT
126.118C	18" ACP. CLASS III	1080 Δ LF
126.121C	21" ACP. CLASS III	694 Δ LF
	TRENCH EXCAV. + BACKFILL	2132 Δ CY.
500.200	DROP INLET	2 Δ EA.
512.105	MANHOLES	5 EA.



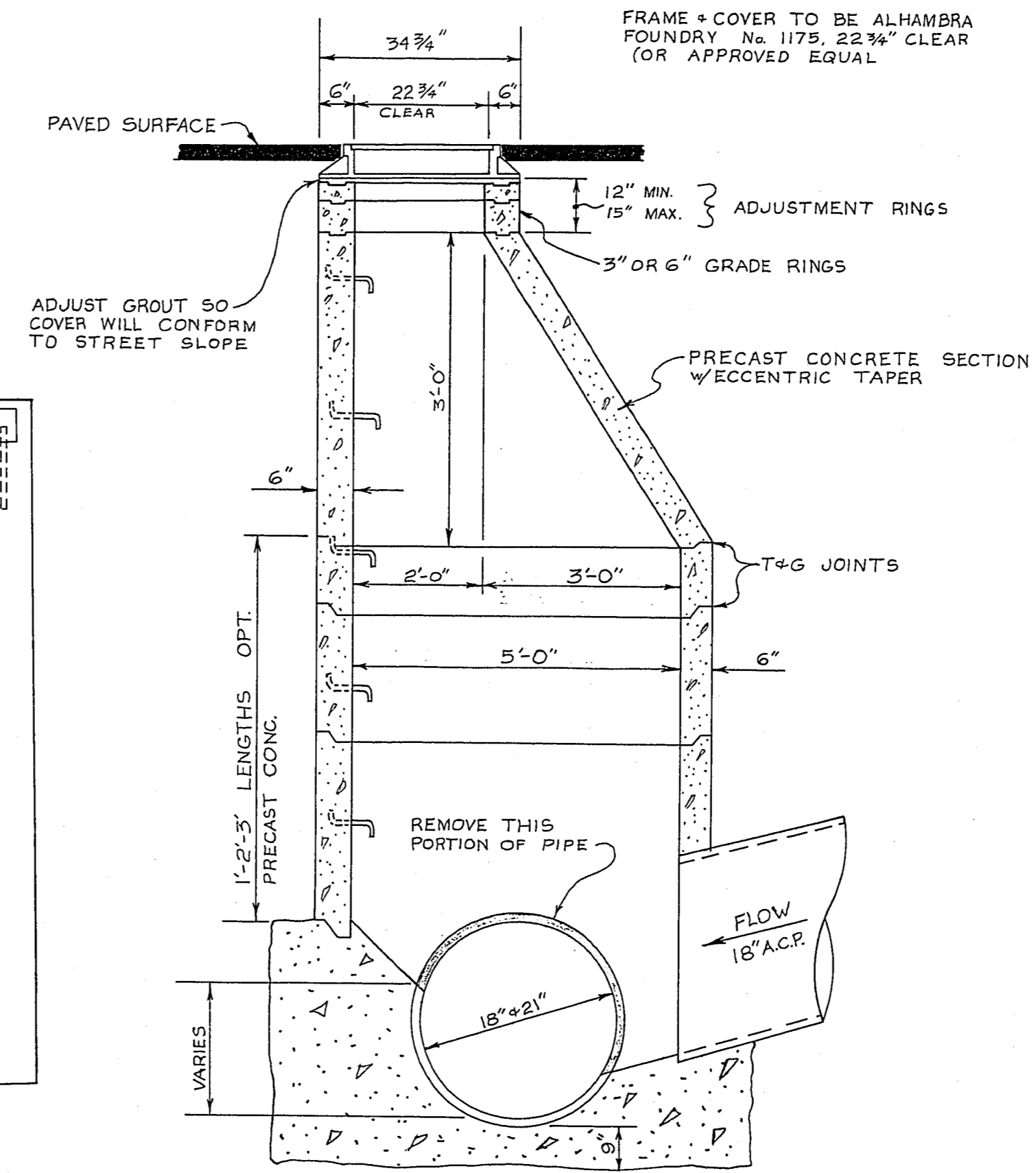
**PLAN**



**SEC. A-A DROP INLET**



**SEC. B-B DROP INLET**



**MANHOLE**

Revision Δ 28/2/74 ch. 10 MHW, DI, outfall  
No date description approved

<b>CITY OF LAS VEGAS NEVADA</b>			
DEPARTMENT OF PUBLIC WORKS			
SERVICES DIVISION			
<b>HARRIS - MARCO - IRENE</b>			
<b>STORM DRAIN DETAILS</b>			
W.D. NO. 4106	F.B.K. NO. 72-7X	DATE	DRAWING NO.
SC. (H) NONE	SC. (V) NONE		SID 410-6
DES. C. MALONE			FILE NO.
DR. M. GARLAND			327 V 136
APPROVED BY DIRECTOR OF PUBLIC WORKS		1-18-74	SHEET 3 OF 3