

VILLAGE 7

VILLAGE 1

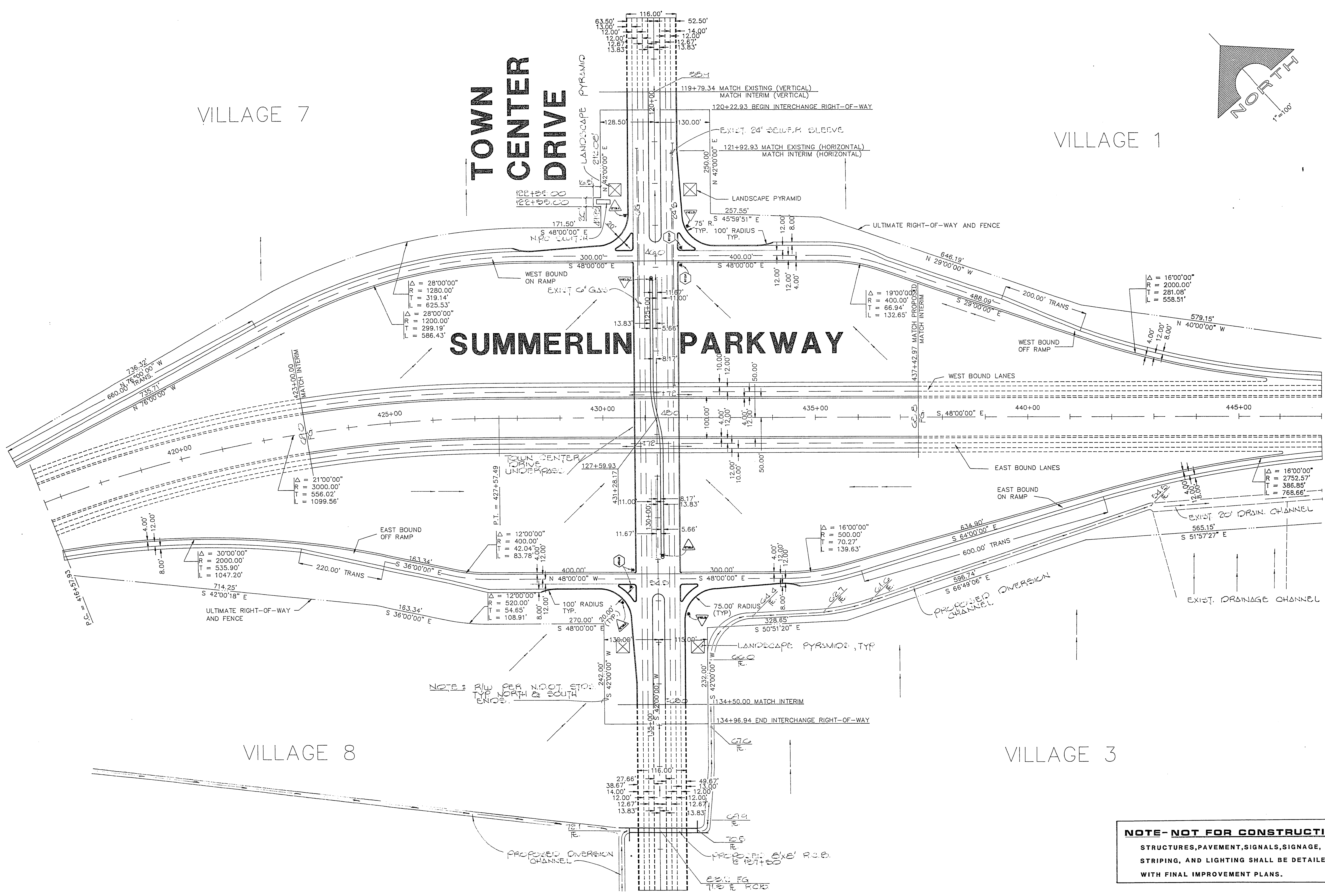
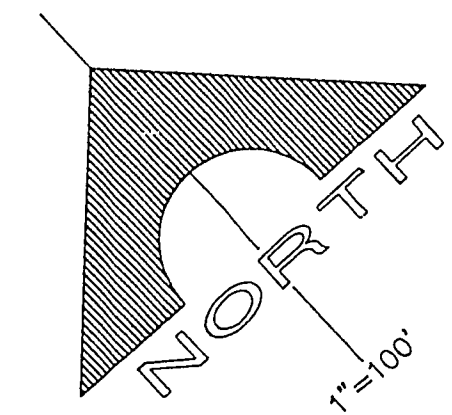
VILLAGE 8

VILLAGE 3

TOWN CENTER DRIVE

SUMMERLIN PARKWAY

TOWN CENTER DR.



NOTE: R/W PER N.C.D.O.T. STDS. TYP. NORTH & SOUTH ENDS.

NOTE - NOT FOR CONSTRUCTION
STRUCTURES, PAVEMENT, SIGNALS, SIGNAGE, STRIPING, AND LIGHTING SHALL BE DETAILED WITH FINAL IMPROVEMENT PLANS.

REV.	DATE	DESCRIPTION

RECOMMENDED BY: JAMES M. HASTINGS, P.E.
 G.C. WALLACE, INC.
 Engineering/Architecture
 1555 SOUTH RAINBOW BLVD., LAS VEGAS, NEVADA 89102

HOWARD HUGHES PROPERTIES
 TOWN CENTER DRIVE-SUMMERLIN PARKWAY INTERCHANGE
 ULTIMATE LAYOUT.
 PRELIMINARY DIAMOND INTERCHANGE PLAN

15 2 106 107-01709