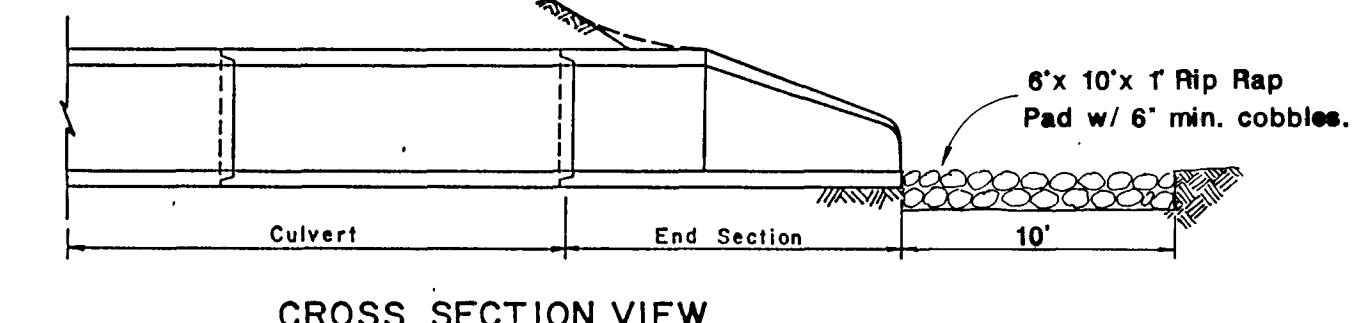
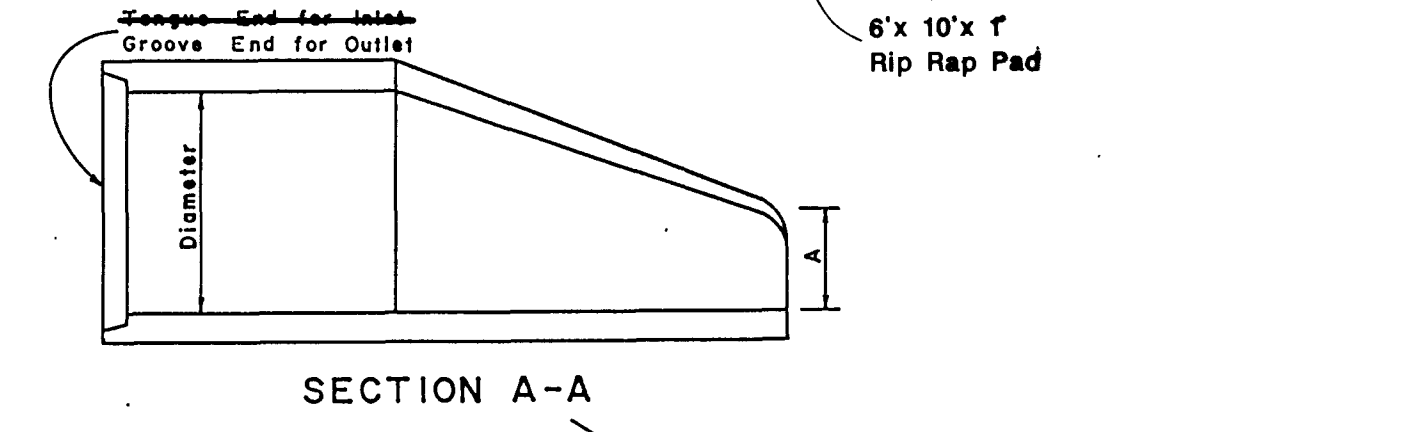
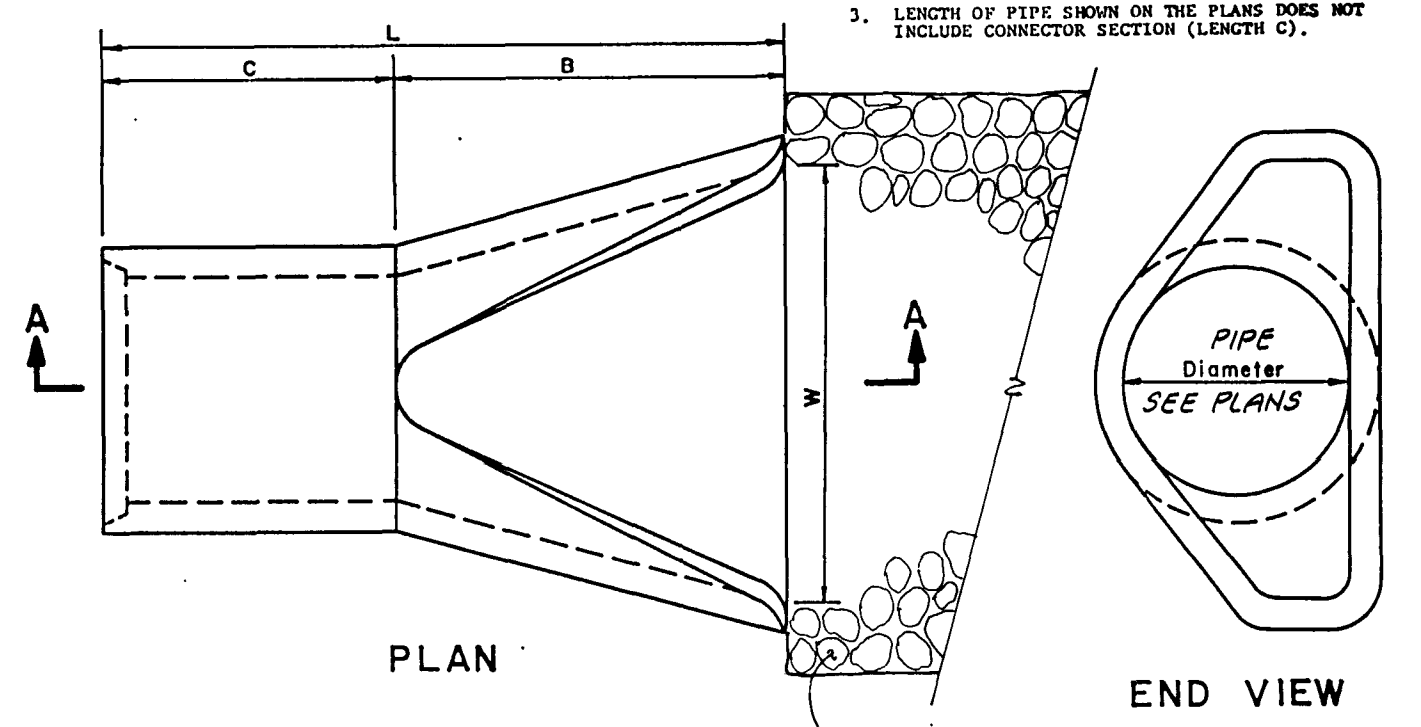


SPECIAL TECHNOLOGY CENTER STREET LIGHT STANDARD

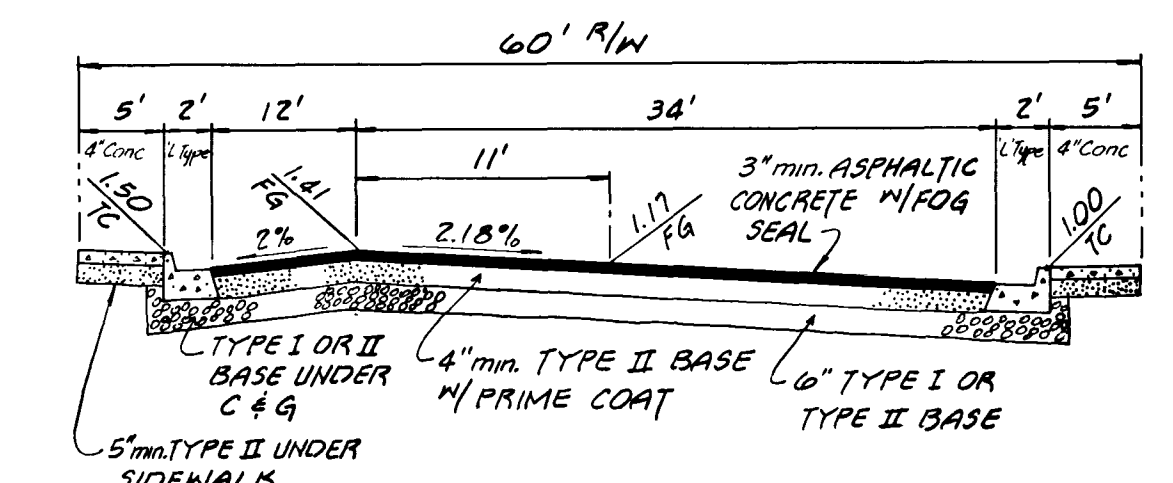
DIAMETER	WEIGHT	A	B	C	L	M
24"	1350	12"	12"	12"	12"	12"
30"	1800	12"	12"	12"	12"	12"

K For Reference Only

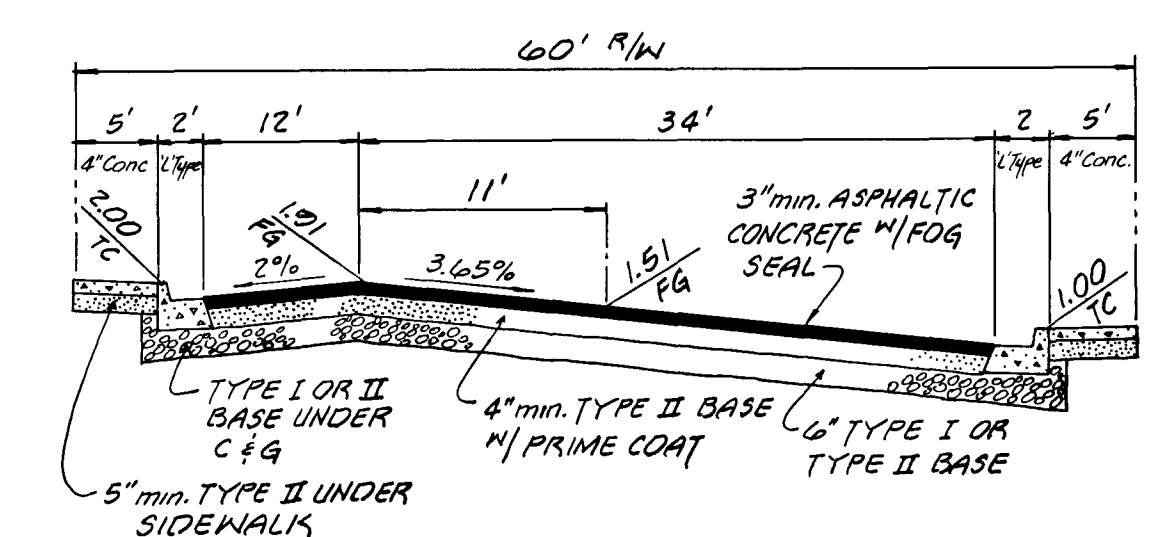
- GENERAL NOTES
1. CLASS AND TYPE OF CONCRETE SHALL BE AS SPECIFIED FOR REINFORCED CONCRETE PIPE.
 2. STRUCTURAL DESIGN OF END SECTION SHALL CONFORM TO THAT OF STANDARD REINFORCED CONCRETE CULVERT PIPE.
 3. LENGTH OF PIPE SHOWN ON THE PLANS DOES NOT INCLUDE CONNECTION SECTION (LENGTH C).



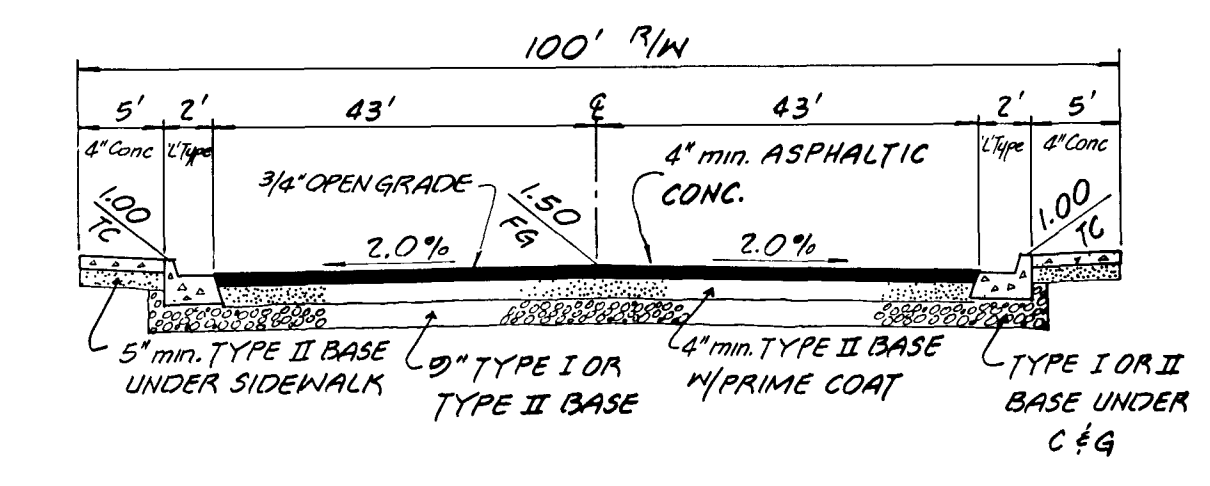
TYPICAL 24" and 30" RCP OUTLETS



60' R/W 0.5' OFFSET CROWN
PRAIRIE FALCON ROAD

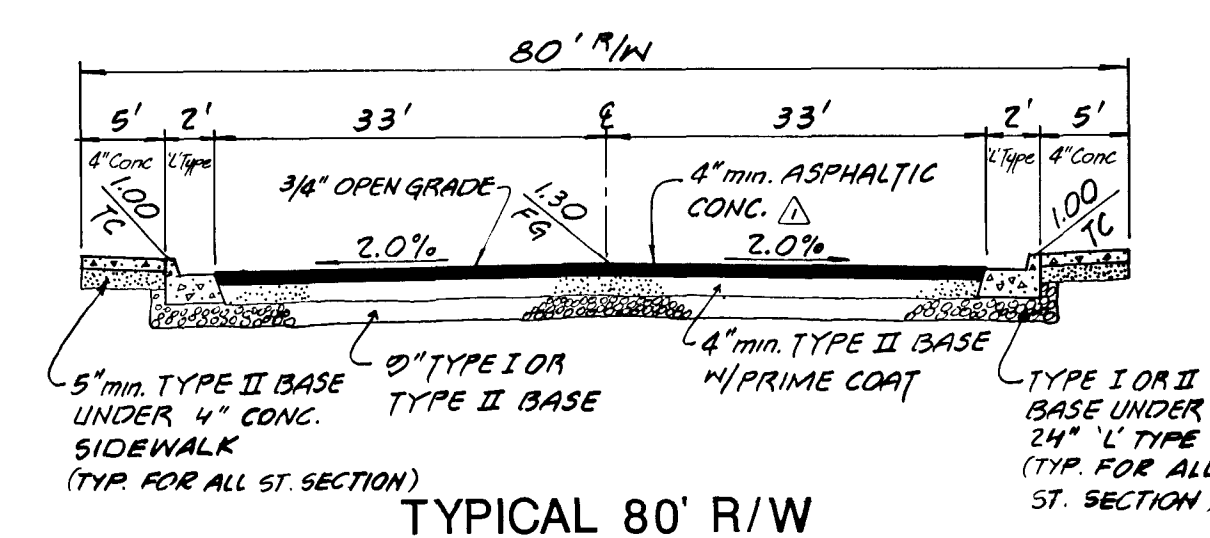


60' R/W 1.0' OFFSET CROWN
CRIMSON CANYON DRIVE



TYPICAL 100' R/W
CHEYENNE AVENUE

SEE STREET PLAN/PROFILE FOR LOCATION OF STANDARD JACK-ON CONCRETE ISLAND

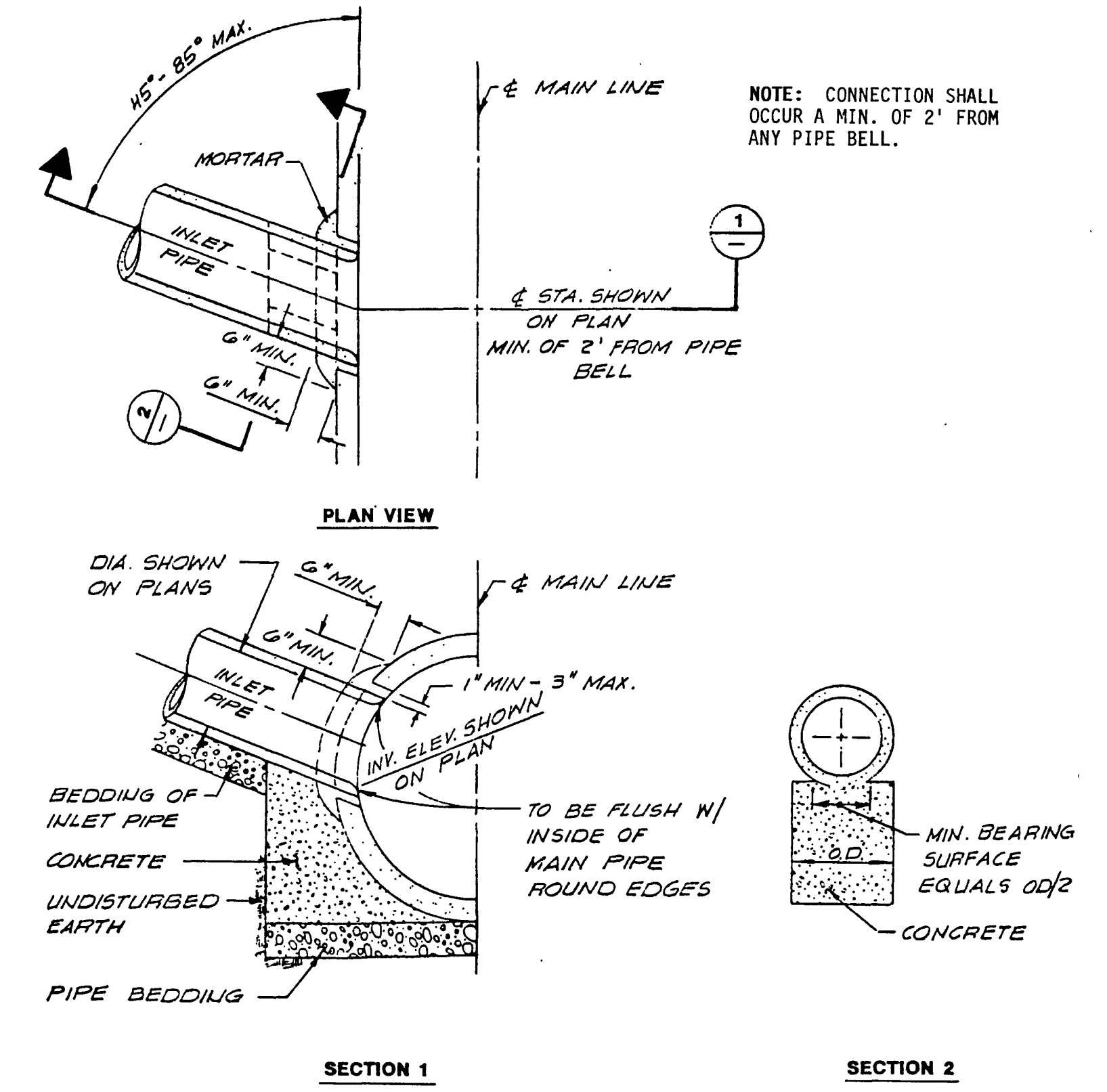


TYPICAL 80' R/W

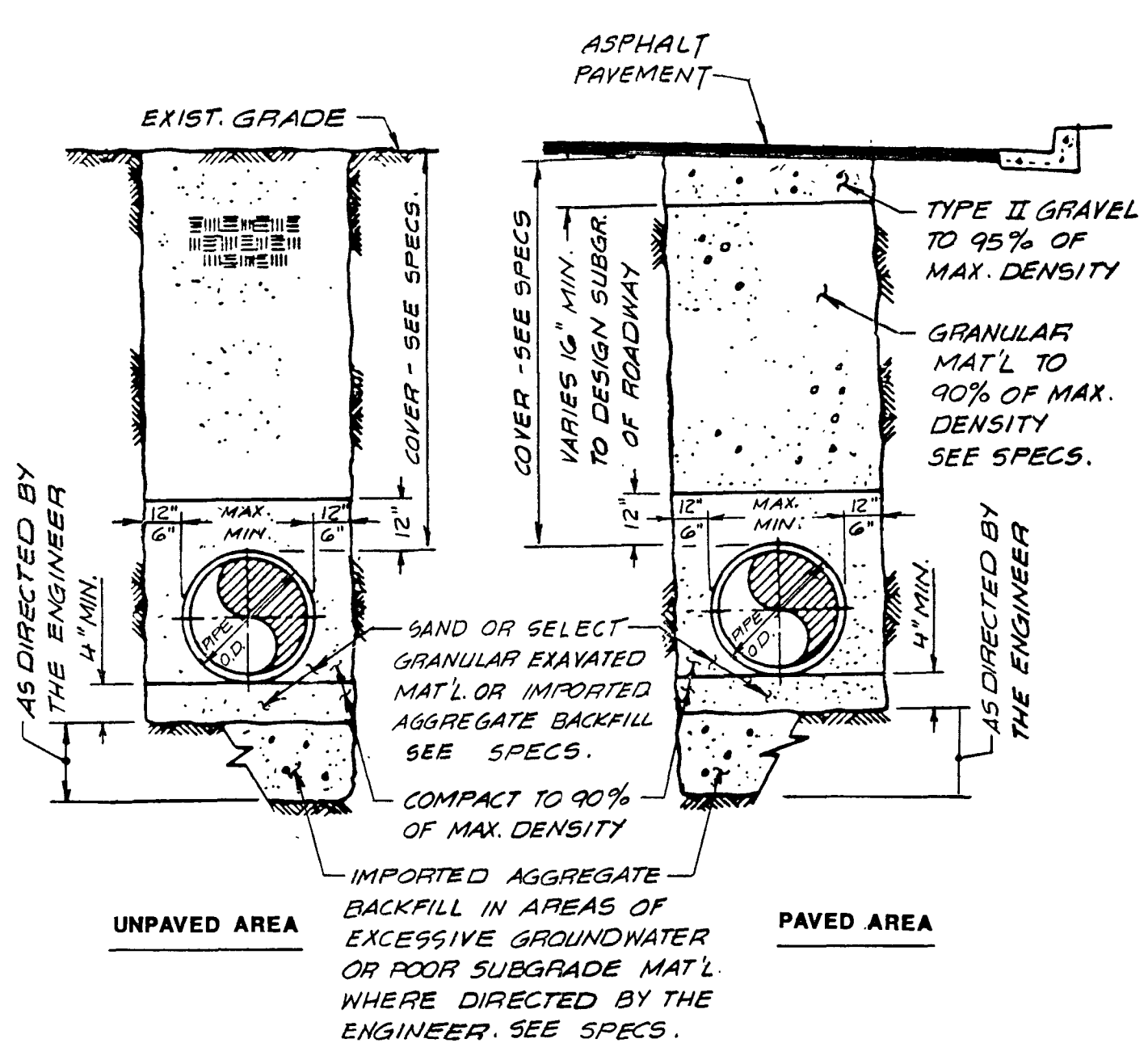
TENAYA WAY (@ PRAIRIE FALCON INTERSECTION)
PEAK DRIVE (@ CALICO BASIN INTERSECTION)

NOTE FOR STREET SECTIONS

THE GEOTECHNICAL REPORT FOR THE TECHNOLOGY CENTER IS AVAILABLE FOR REVIEW AT THE CITY OF LAS VEGAS. PER THE GEOTECHNICAL REPORT, ENGINEER APPROVED NATIVE SOILS MAY BE USED IN-LIEU OF IMPORTED TYPE I AGGREGATE BASE MATERIAL.



CUT AND JOIN DETAIL



- NOTE: 1. THIS ALSO APPLIES TO THE INSTALLATION OF ALL SERVICE LATERALS. TRENCH WIDTH MINIMUMS DO NOT APPLY TO LATERALS LESS THAN 4\"/>

TYPICAL TRENCH DETAIL
FLEXIBLE and RIGID PIPE

RECORD DRAWING
From Information Provided
By The City of Las Vegas
William S. Cochet 10/1/91
Signature Date

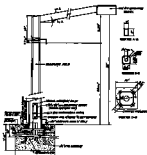
NO.	DATE	BY	REVISION

SCALE: NO SCALE
DESIGNED: ED/MEF
DRAWN: JSC
CHECKED: JSC
DATE: NOV 89
J.N.: 890401

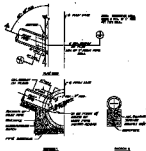
DELTA ENGINEERING INC.
ENGINEERING • LAND SURVEYING • PLANNING
4500 WEST OAKLEY BLVD. • LAS VEGAS, NEVADA 89102
PHONE (702) 877-0955

DETAILS
LAS VEGAS TECHNOLOGY CENTER
INFRASTRUCTURE DEVELOPMENT PHASE I
CITY OF LAS VEGAS, CLARK COUNTY, NEVADA

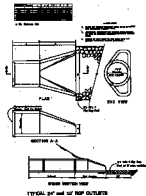
SHEET NO.
18 OF 18



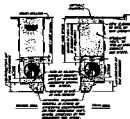
SPECIAL TECHNOLOGY CENTER STREET LIGHT STANDARD



CUT AND JOINT DETAILS



TYPICAL 24" and 12" ROOF OUTLETS



TYPICAL TRENCH DETAIL
24" and 12" ROOF



TYPICAL 24" ROOF SECTION



TYPICAL 12" ROOF SECTION



TYPICAL 24" ROOF SECTION



TYPICAL 12" ROOF SECTION

NOTE FOR SPURF SECTIONS:
 All dimensions shown are for finished work. A minimum 1/2 inch gap is to be left at all joints.
 All the dimensions shown should be checked with the actual work.
 All the dimensions shown should be checked with the actual work.

PROJECT NO. _____ DRAWING NO. _____ DATE _____ SCALE _____ SHEET NO. _____ OF _____
SPECIAL TECHNOLOGY CENTER ARCHITECTURAL DEVELOPMENT PHASE I STRUCTURES, MAIN LEVEL, PLAN
DRAWN BY _____ CHECKED BY _____ APPROVED BY _____
19 OF 20