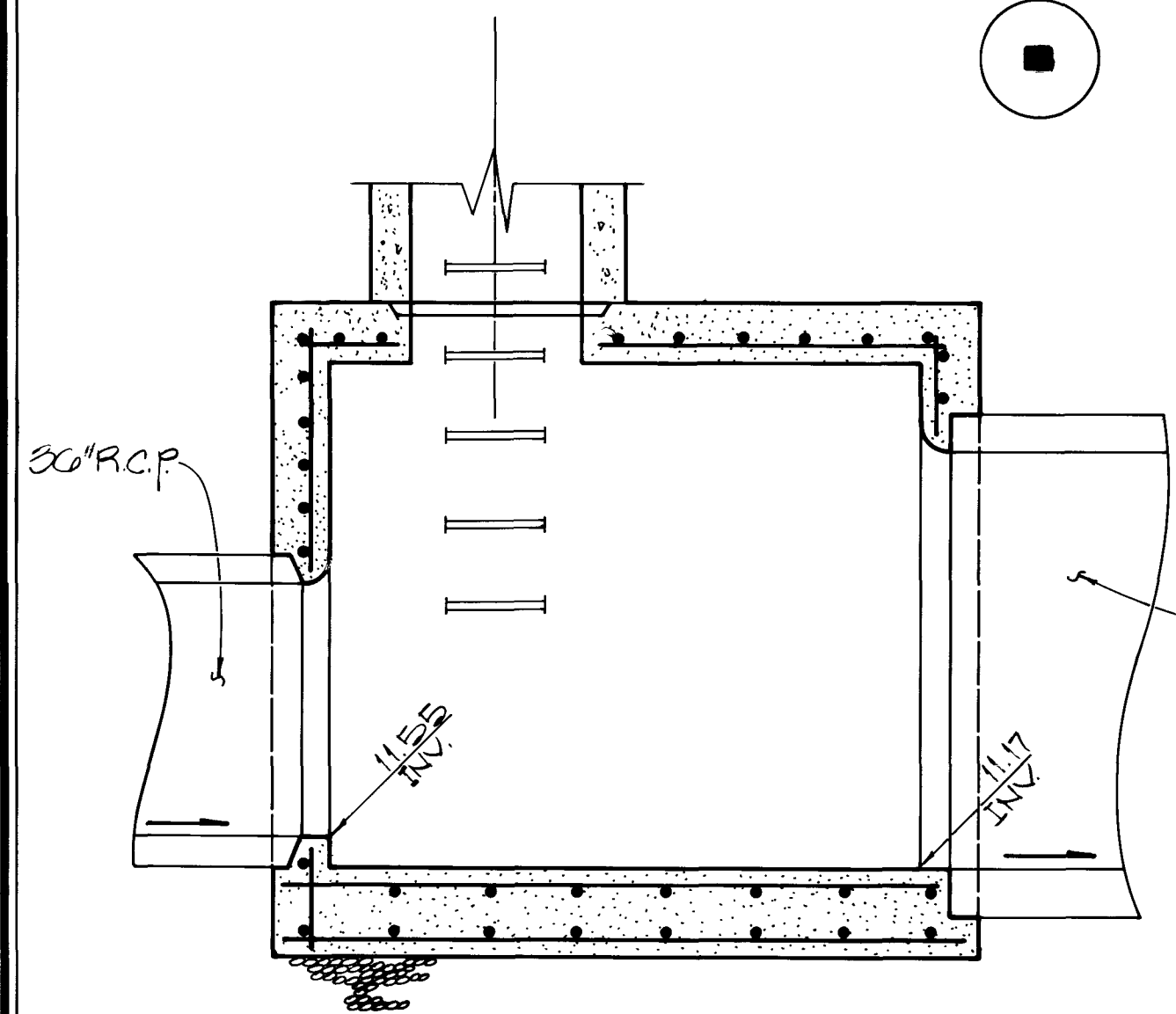
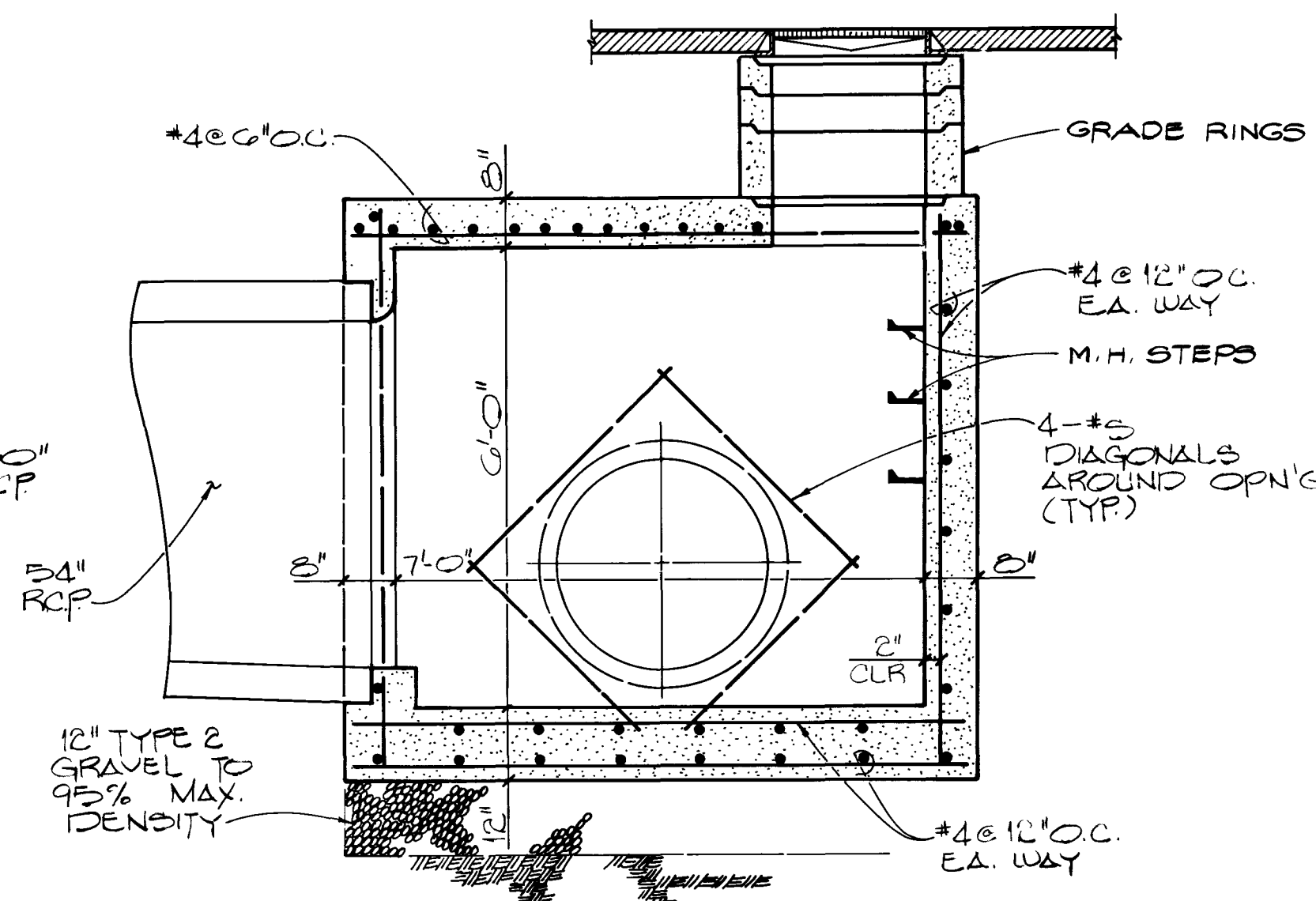


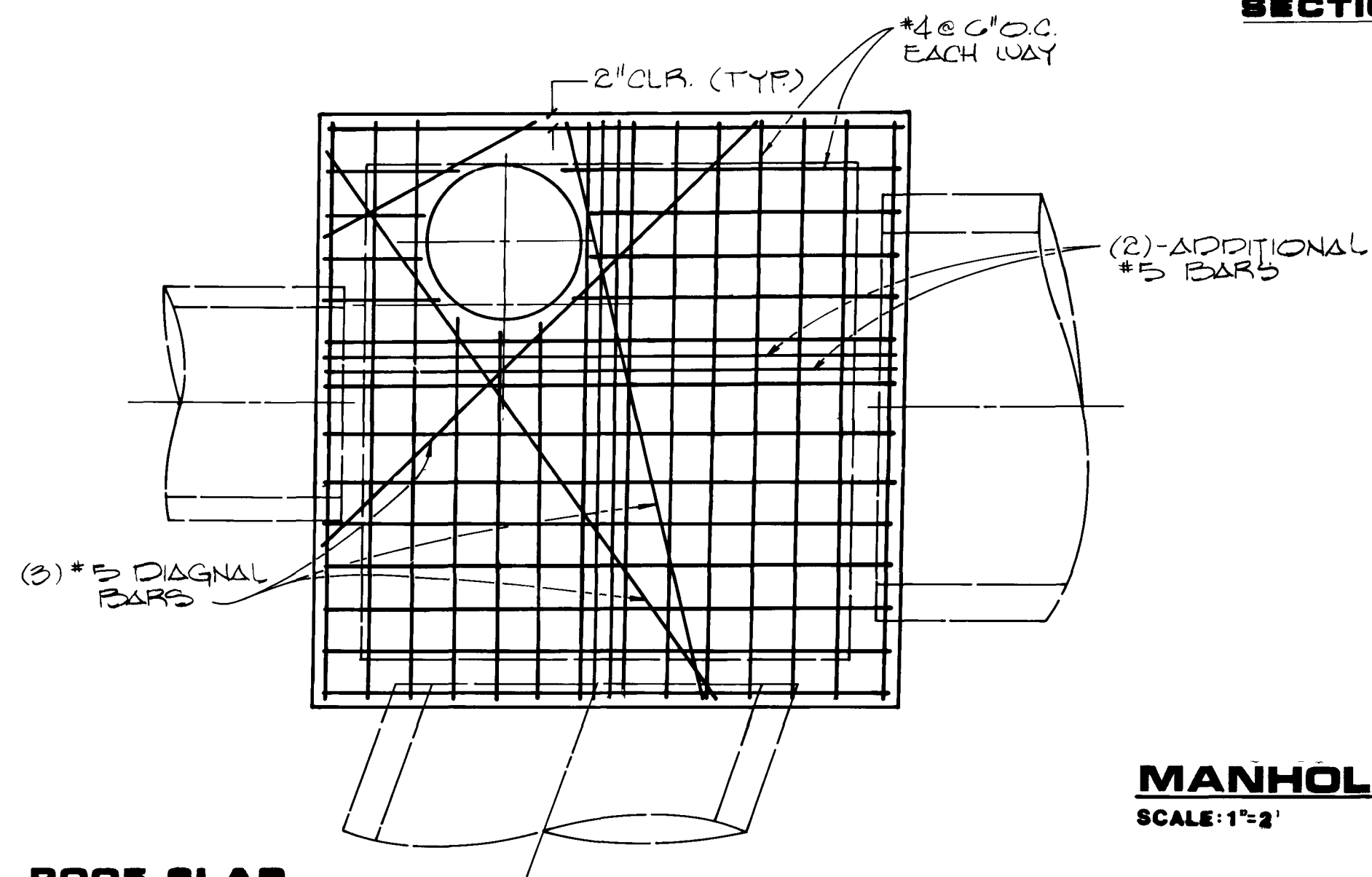
PLAN



SECTION A



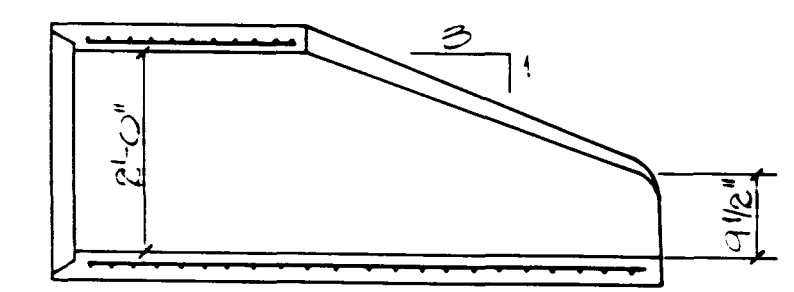
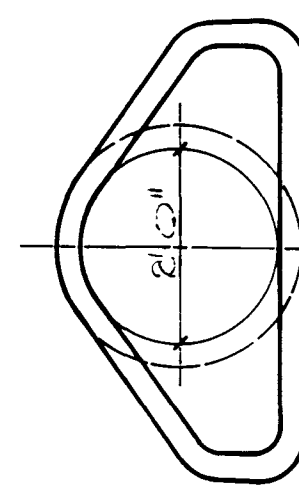
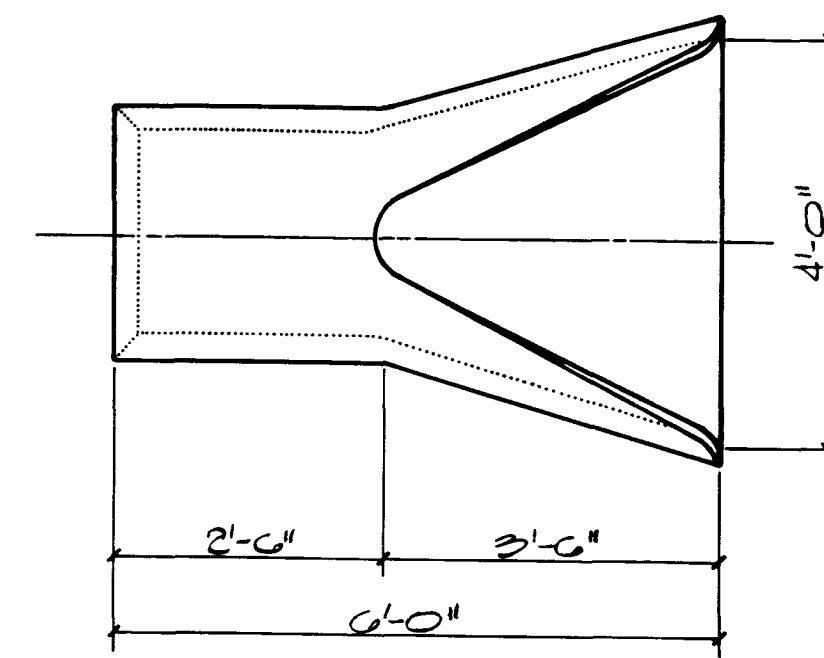
SECTION B



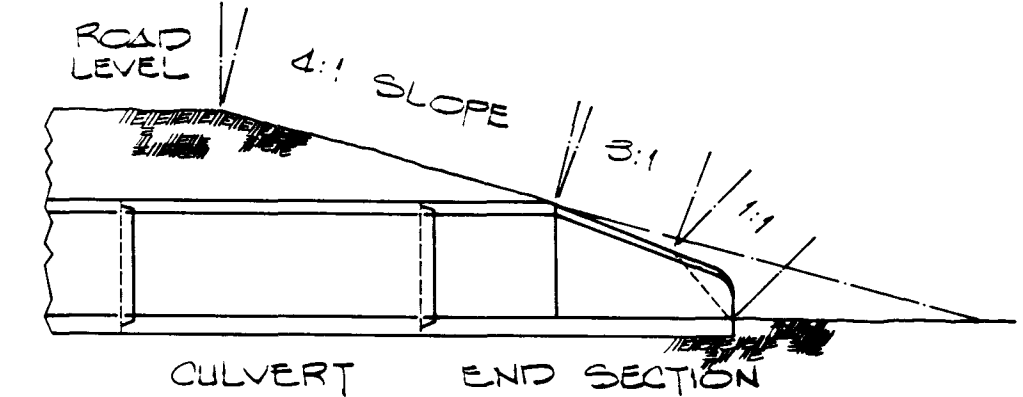
ROOF SLAB

MANHOLE NO. 1A
SCALE: 1"=2'

A
1-10



SECTION AT CENTERLINE

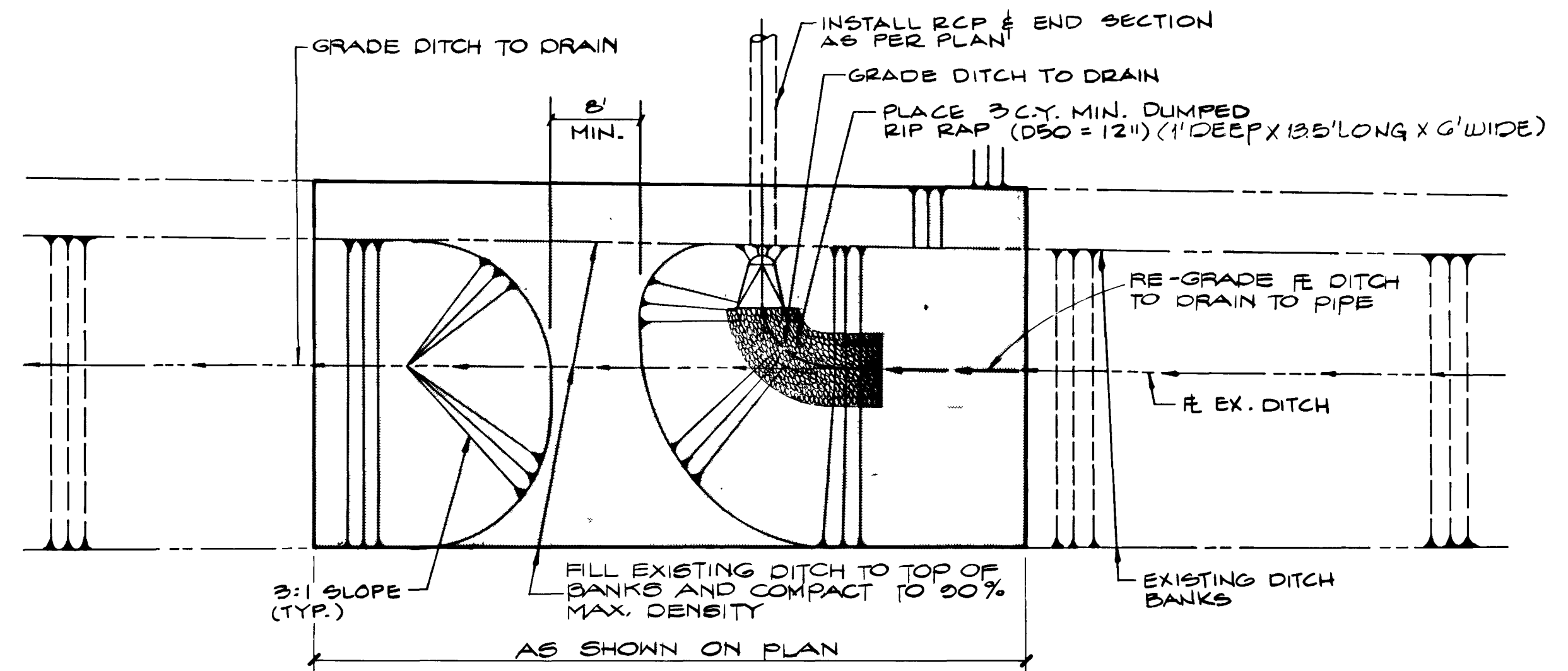


TYPICAL SLOPE DETAIL

STRUCTURAL DESIGN OF END SECTION SHALL CONFORM WITH THAT OF STANDARD REINFORCED CONCRETE CULVERT PIPE.

FLARED END SECTION - DETAILS
NO SCALE

B
1-10



DITCH TURN-IN DETAIL
PLAN VIEW - NO SCALE

C
1-10

RECORD DRAWINGS
THESE PLANS SHOW RECORD INFORMATION RECEIVED FROM:
CONTRACTOR: WELLS CARGO INC.
DATE: 8/19/90
THIS DATA MAY OR MAY NOT REFLECT THE ACTUAL FIELD LOCATIONS. ALL DATA SHOULD BE CONFIRMED PRIOR TO USE ON DEVELOPMENT OR ENGINEERING PLANS.

NOTE: THESE PLANS ARE FOR THE PURPOSE OF ROADWAY IMPROVEMENTS AND UTILITIES (PAVEMENT WITH BASE, CURB AND GUTTER, STORM DRAIN, WATER, SEWER, ETC.). ALL ROADWAY AND LANDSCAPE AREAS HAVE BEEN PREVIOUSLY ROUGH GRADED. ANY LIMITS OF ROUGH GRADING SHOWN ARE FOR REFERENCE ONLY. FOR SCOPE AND LIMITS OF ROUGH GRADING, SEE "TOWN CENTER DRIVE - ROUGH GRADING" PACKAGE. FOR FINISH GRADING OF LANDSCAPE AREAS, SEE LANDSCAPE PACKAGE BY SWA GROUP.

REV	DATE	DESCRIPTION
A	2/12/89	ISSUED FOR BID
B	8/19/90	ISSUED FOR CONSTRUCTION
C	8/19/90	ISSUED PER CIVIL LETTER
D	8/19/90	ISSUED PER CIVIL LETTER
E	8/19/90	ISSUED PER CIVIL LETTER
F	8/19/90	ISSUED PER CIVIL LETTER

RECORDED & INDEXED
CIVIL
NO. 838

1555 SOUTH BURNBROW BLVD. LAS VEGAS, NEVADA 89102

G.C. WALLACE, INC.
Engineering/Architecture

HOWARD HUGHES PROPERTIES
HILLS CENTER DRIVE
STORM DRAIN DETAILS

SHEET 13
1-10
OF 25 SHEETS

1990

11390

107-11639-1

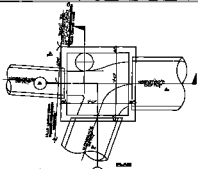
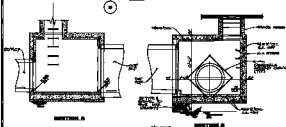


FIGURE 1



SECTION A

SECTION B

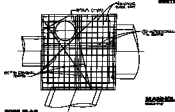


FIGURE 2

MANUAL NO. 1A



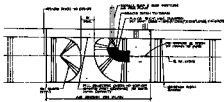
SECTION AT CENTERLINE



TYPICAL BORE DETAIL

SECTION AT CENTERLINE

BLADE END SECTION - DETAILS



DIFFERENTIAL DETAIL

NOTE: THIS DRAWING IS FOR INFORMATION ONLY. IT IS NOT TO BE USED FOR FABRICATION OR ASSEMBLY. THE ACTUAL PART SHOULD BE REFERRED TO FOR DIMENSIONS AND TOLERANCES.

THIS DRAWING IS THE PROPERTY OF THE UNITED STATES GOVERNMENT. IT IS LOANED TO YOU AND IS NOT TO BE DISTRIBUTED OUTSIDE YOUR ORGANIZATION.