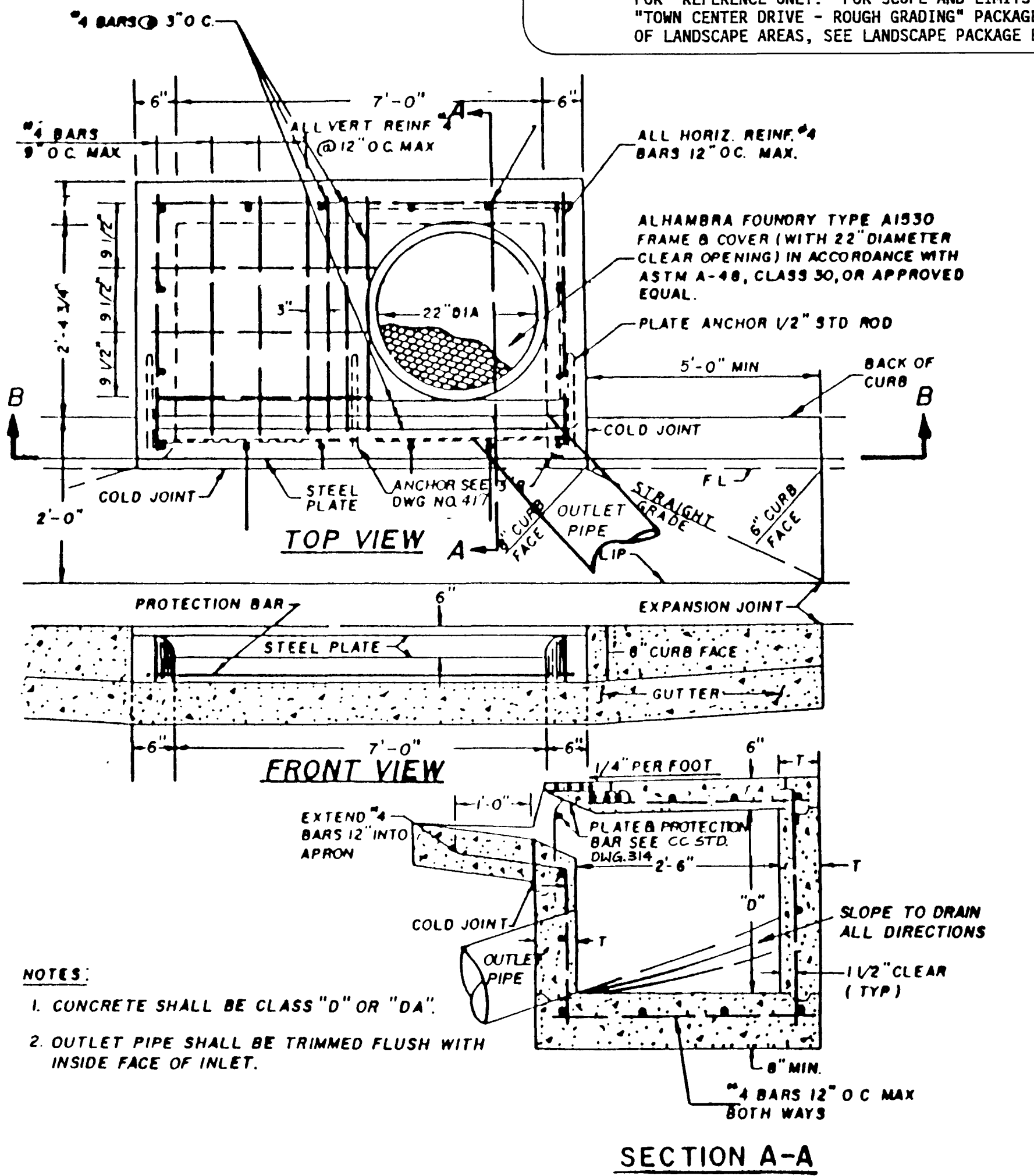


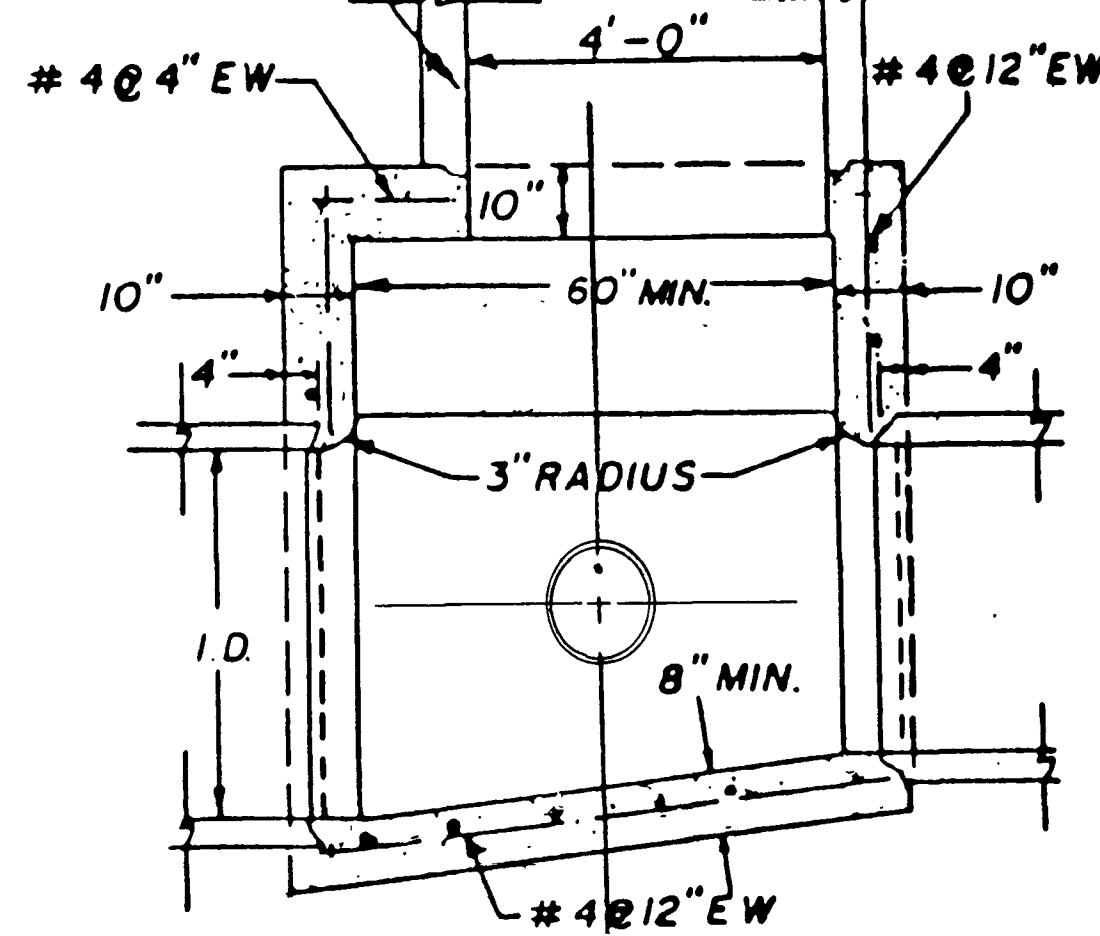
**JUNCTION STRUCTURE**

NOTE: THESE PLANS ARE FOR THE PURPOSE OF ROADWAY IMPROVEMENTS AND UTILITIES (PAVEMENT WITH BASE, CURB AND GUTTER, STORM DRAIN, WATER, SEWER, ETC.). ALL ROADWAY AND LANDSCAPE AREAS HAVE BEEN PREVIOUSLY ROUGH GRADED. ANY LIMITS OF ROUGH GRADING SHOWN ARE FOR REFERENCE ONLY. FOR SCOPE AND LIMITS OF ROUGH GRADING, SEE "TOWN CENTER DRIVE - ROUGH GRADING" PACKAGE. FOR FINISH GRADING OF LANDSCAPE AREAS, SEE LANDSCAPE PACKAGE BY SMA GROUP.



**DROP INLET - TYPE "A"**  
N.T.S.

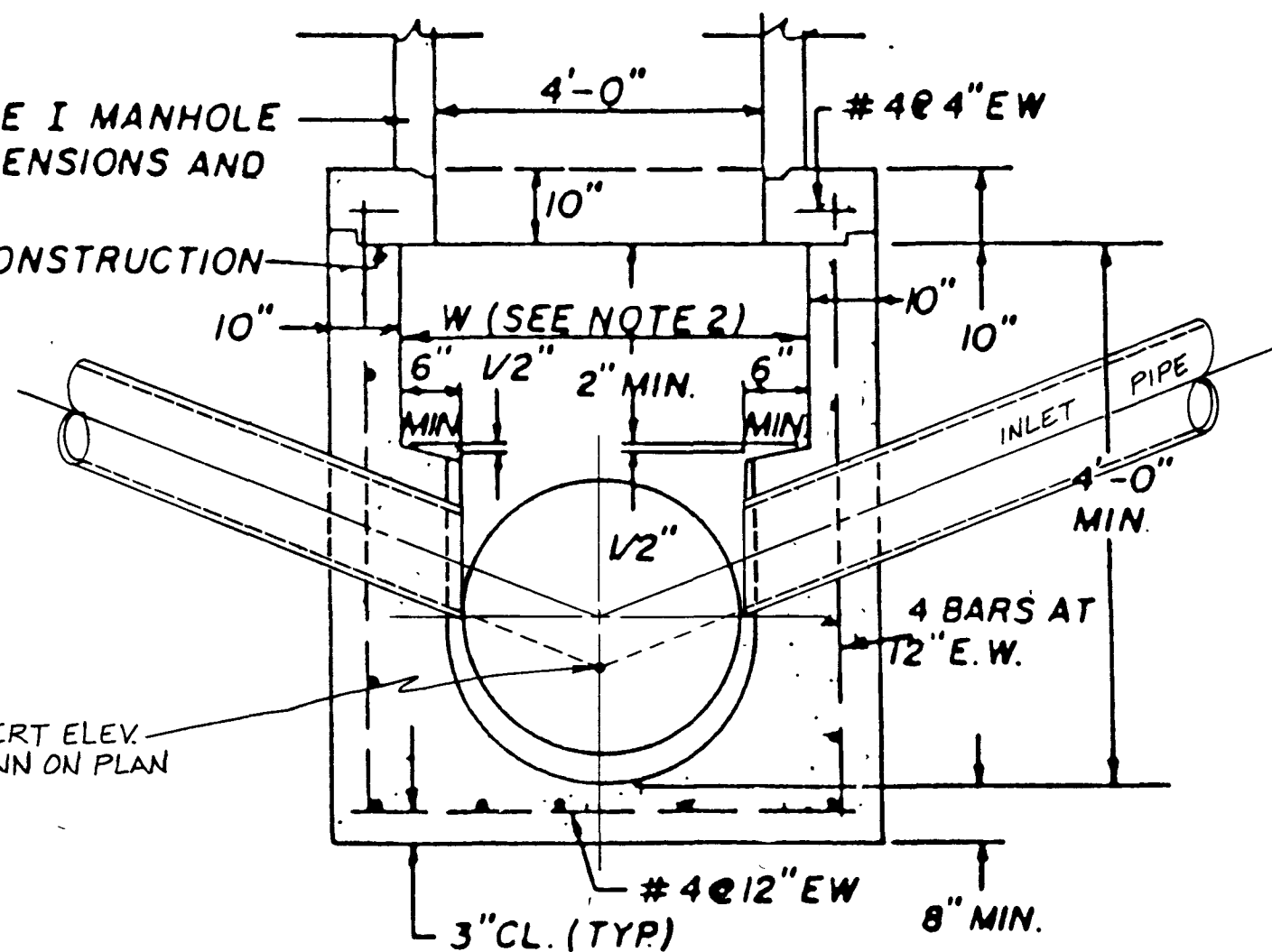
SEE TYPE IX MANHOLE FOR DIMENSION OR DETAILS



**SECTION**

SEE TYPE I MANHOLE FOR DIMENSIONS AND DETAILS

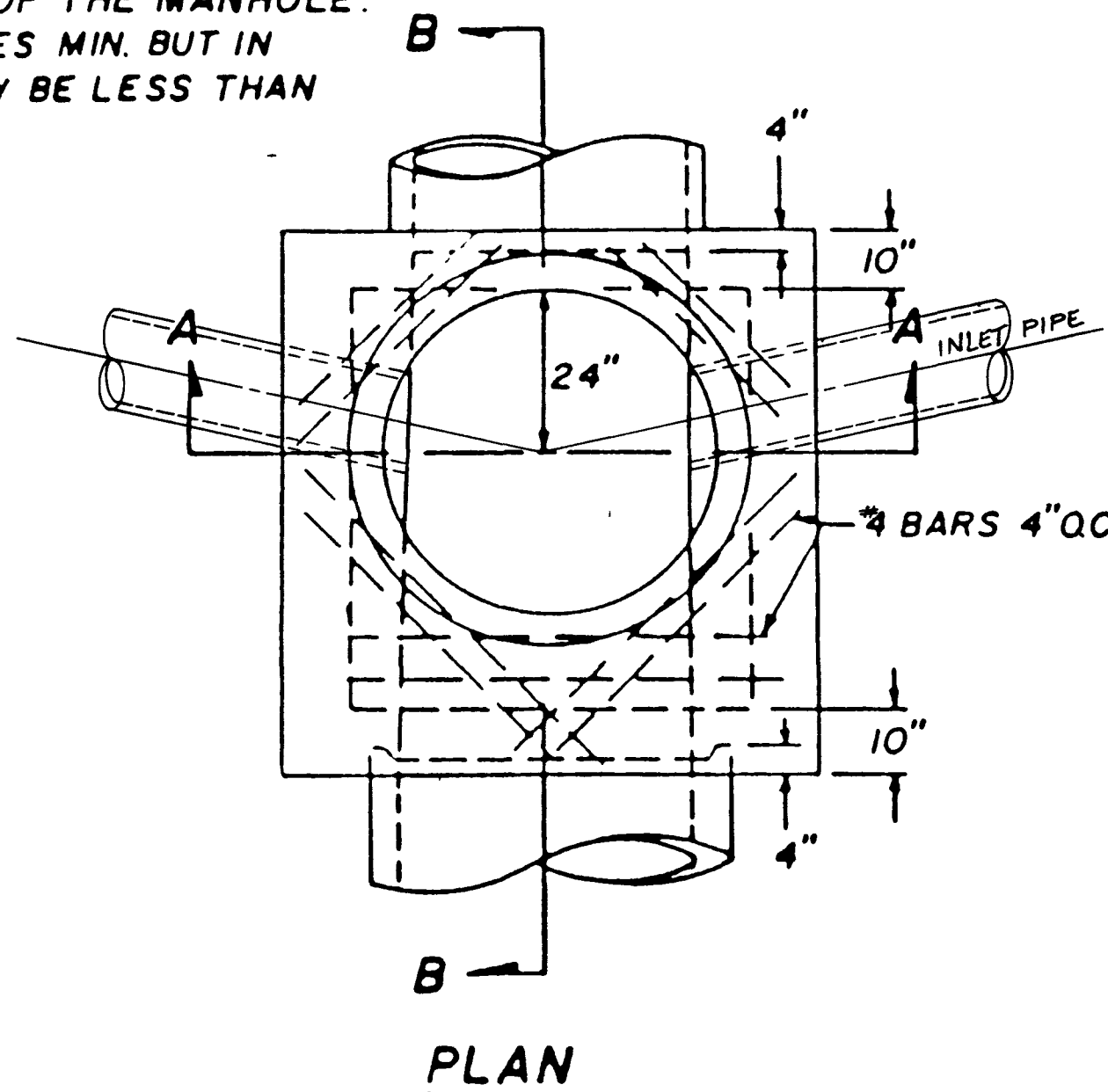
OPTIONAL CONSTRUCTION JOINT



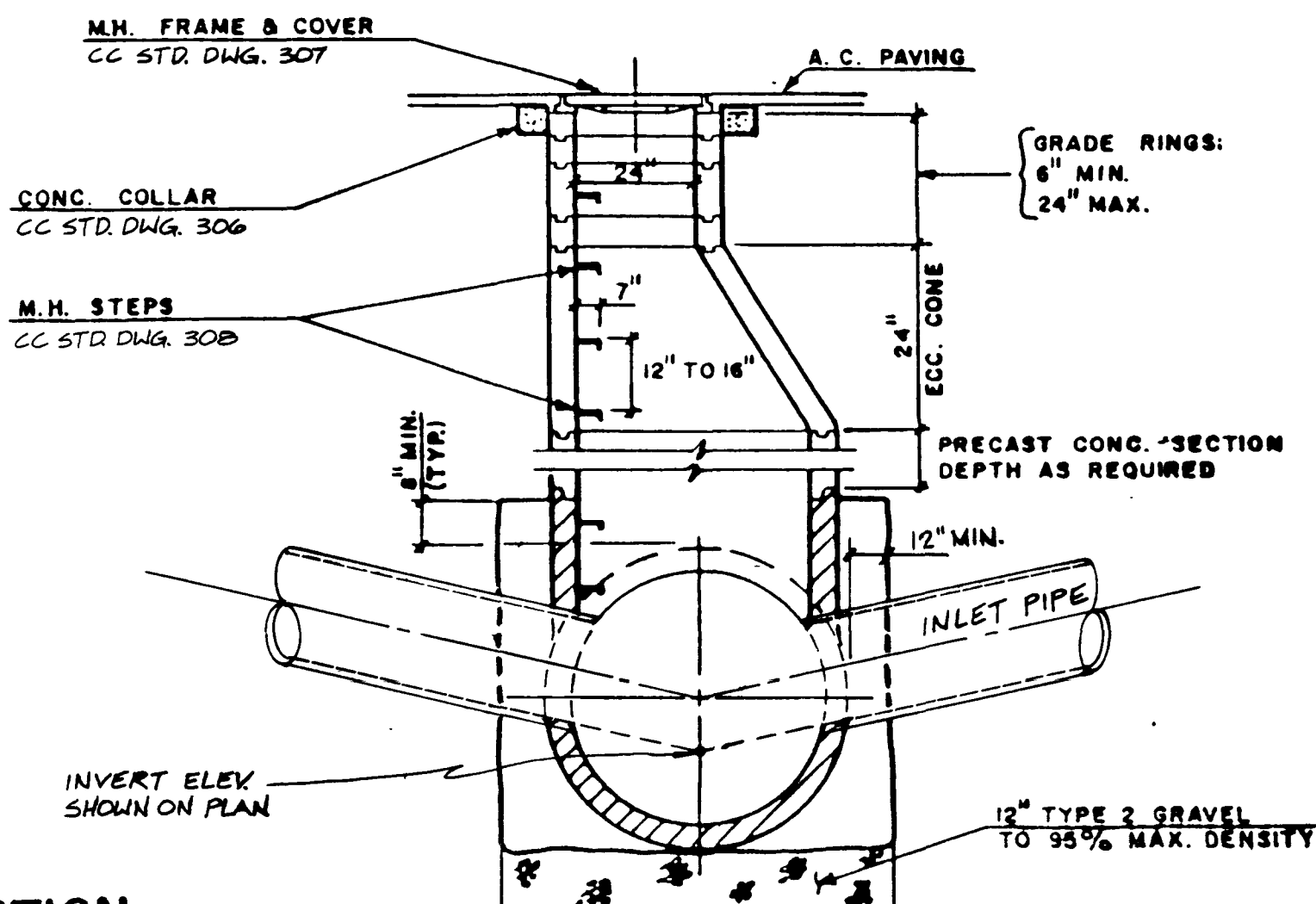
**SECTION**

NOTES:

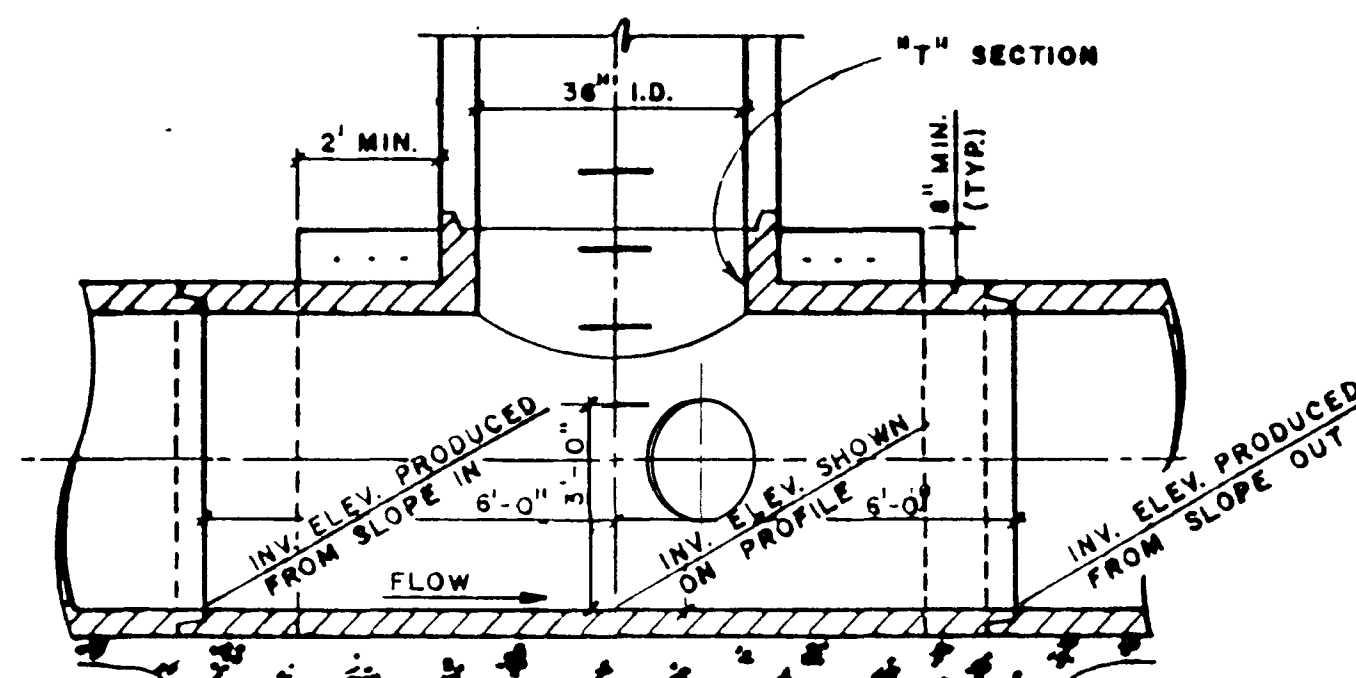
- STEPS SHALL BE INSTALLED ON THE UPSTREAM WALL OF THE MANHOLE.
- W = I.D. + 12-INCHES MIN. BUT IN NO CASE SHALL W BE LESS THAN 60-INCHES.



**MANHOLE - TYPE II**  
N.T.S.



**SECTION**



**SECTION**

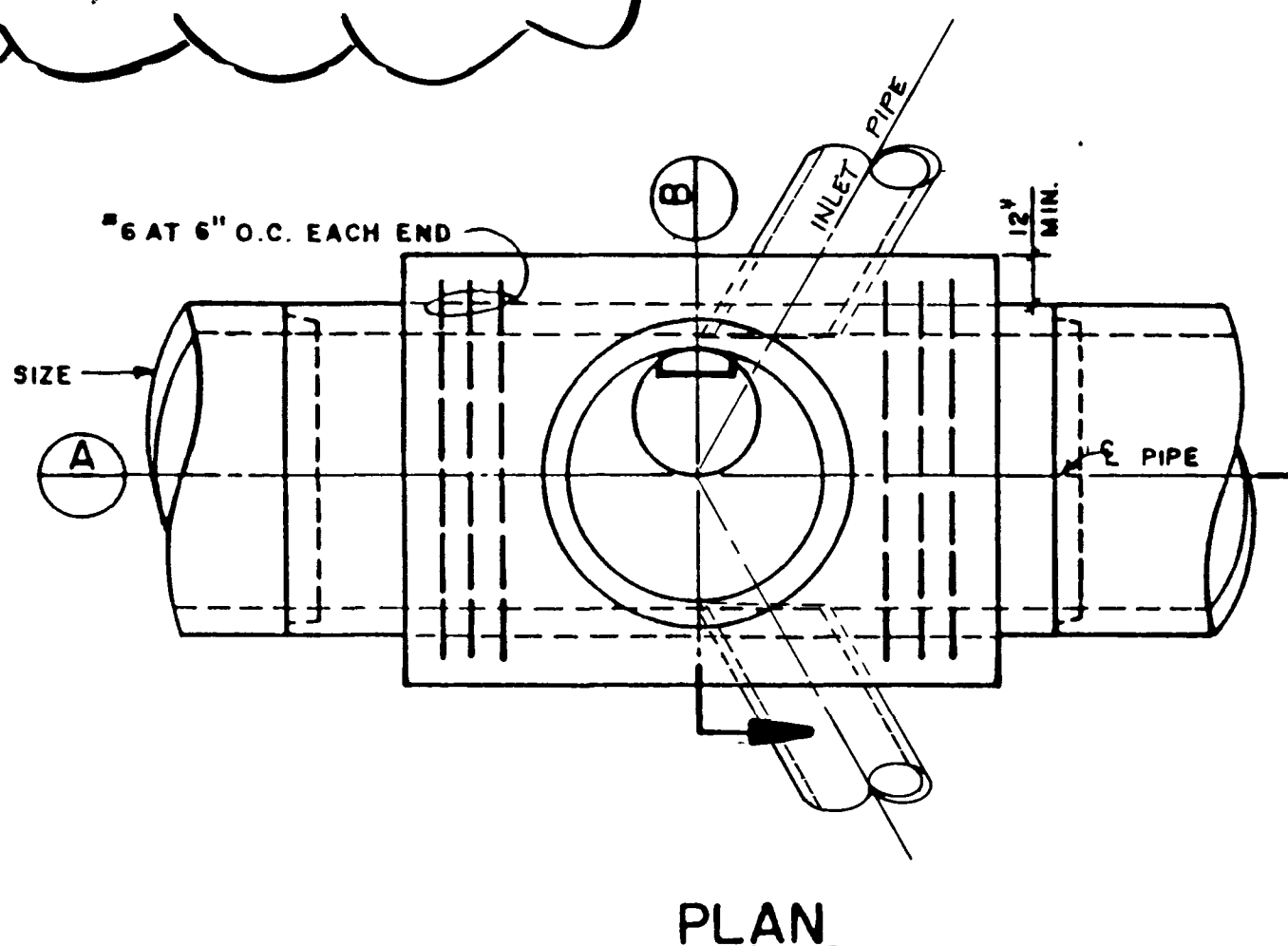
RECORD DRAWINGS

THESE PLANS SHOW RECORD INFORMATION RECEIVED FROM:

CONTRACTOR: **WELLS CARGO INC.**

DATE: **8/19/90**

THIS DATA MAY OR MAY NOT REFLECT THE ACTUAL FIELD LOCATIONS. ALL DATA SHOULD BE CONFIRMED PRIOR TO USE ON DEVELOPMENT OR ENGINEERING PLANS.



**MANHOLE - TYPE IV**  
N.T.S.

REV	DATE	DESCRIPTION
1	8/19/90	ISSUED FOR BIDDING
2	8/19/90	ISSUED FOR CONSTRUCTION
3	8/19/90	REVISIONS
4	8/19/90	REVISIONS
5	8/19/90	REVISIONS
6	8/19/90	REVISIONS
7	8/19/90	REVISIONS
8	8/19/90	REVISIONS
9	8/19/90	REVISIONS
10	8/19/90	REVISIONS

STATE OF NEVADA  
REGISTERED PROFESSIONAL ENGINEER  
CIVIL  
G.C. WALLACE, INC.  
Engineering/Architecture  
1535 SOUTH RAINBOW BLVD. LAS VEGAS, NEVADA 89102

HOWARD HUGHES PROPERTIES  
HILLS-COMM-CENTER DRIVE  
STORM DRAIN DETAILS

SHEET 12

1-9

OF 23 SHEETS

JOB NO. 890.888

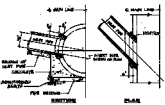
884 DIETENICH-POST 85328

1991

11-3-93

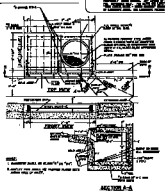
107-V1639-1

2/12/89

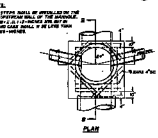
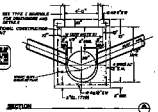
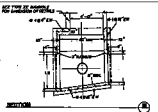


**JUNCTION OF PIPE/WALL**

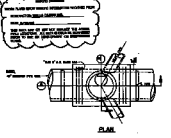
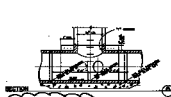
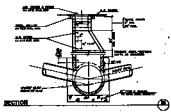
**NOTE:**  
 1. SET TYPE 2 BRICKS FOR INSULATION DETAILS.  
 2. SET TYPE 2 BRICKS FOR INSULATION DETAILS.  
 3. SET TYPE 2 BRICKS FOR INSULATION DETAILS.



**WALL PENETRATION - TYPE 'A'**



**WALL PENETRATION - TYPE 'B'**



**WALL PENETRATION - TYPE 'C'**