

CLARK COUNTY TYPICAL TRAFFIC SIGNAL UNDERGROUND LAYOUT WITH STREET LIGHTING AND SERVICE POINT

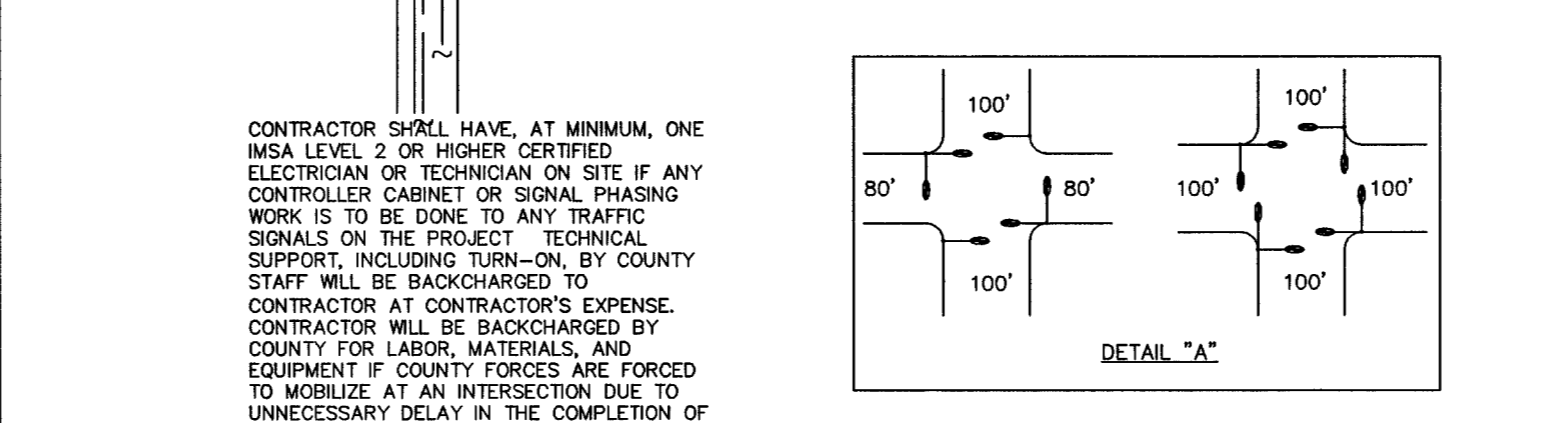
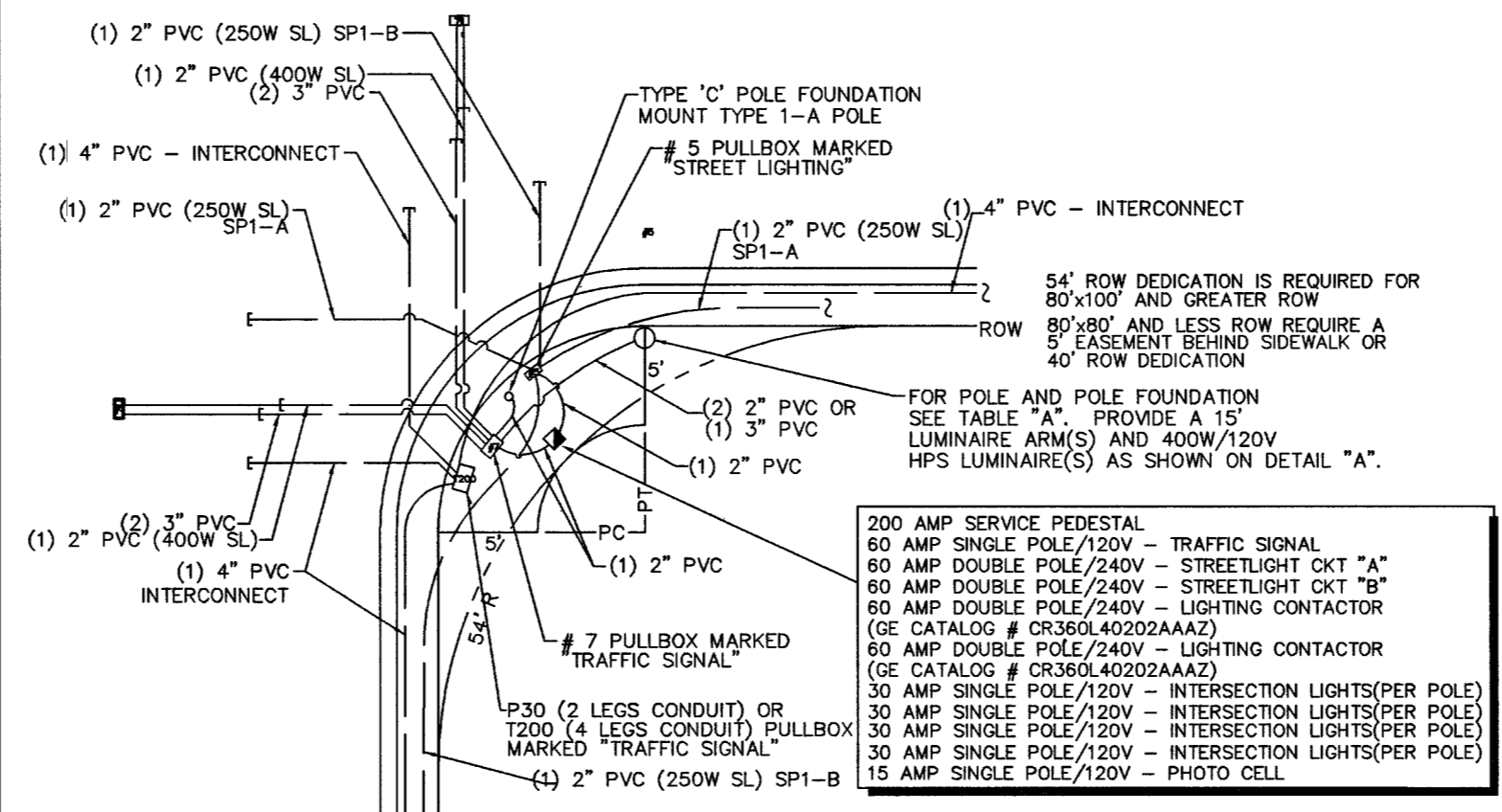


TABLE "A"

	80' and 100' R/W	100' or GREATER R/W
FRONT-ATION	"L"	"M"
POLE	XX-A-30"	XX-B-30"
FIGURE MASTHEAD	≤ 60"	> 60"
LWACITS	3" (80")	4"

NOTES:
 1. ALL TRAFFIC SIGNAL POLES SHALL BE GALVANIZED PER ASTM A123
 2. IF STREET LIGHTING CIRCUIT DOESN'T EXIST, DELETE NO. 5 PULLBOX AT INTERSECTION AND 2" PVC
 3. FOR POLE FOUNDATION DETAILS SEE CLARK COUNTY AREA UNIFORM STANDARD DRAWINGS VOL. II
 4. CONNECT THE 1-2" AND THE 2-3" PVC TO THE EXISTING TRAFFIC SIGNAL CONDUIT.
 IF UNDERGROUNDS DO NOT EXIST, EXTEND THE 1-2" & THE 2-3" PVC 5' PAST OPPOSING EDGE OF PAVEMENT TO A SINGLE NO. 3 1/2 PULLBOX
 5. ALL EMPTY CONDUIT WILL CONTAIN A SINGLE NO. 8 AWG THW OR BARE COPPER WIRE FOR THE PURPOSE OF LOCATING THE CONDUIT.
 6. THE MAXIMUM DISTANCE FROM THE NEVADA POWER TRANSFORMER TO THE 200 AMP SERVICE IS 450 FEET. USE 2" PVC WITH (3) # 4/0 AWG THW COPPER.
 7. THE 400 WATT / 120 VOLT LUMINAIRE SHALL BE CONNECTED TO THE 30 AMP SINGLE POLE INTERSECTION LIGHTS CIRCUIT BREAKER.

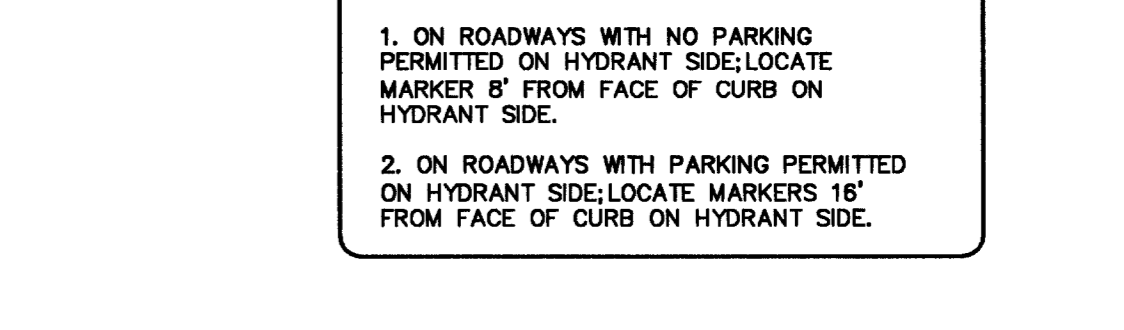
SIGN LEGEND

- ① INSTALL R4-7 SIGN
- ② INSTALL W4-2R SIGN
- ③ INSTALL 36" R1-1 "STOP" SIGN AND (2) 12" D3 "STREET NAME" SIGNS
- ④ INSTALL OM-3R OBJECT MARKERS Ø25" OC
- ⑤ INSTALL R2-1 "SPEED LIMIT 25" SIGN
- ⑥ INSTALL RB-3A "NO PARKING" SIGN
- ⑦ INSTALL W1-7 SIGN
- ⑧ INSTALL END OF ROAD MARKERS
- ⑨ INSTALL R3-4 "NO U-TURN" SIGN
- ⑩ INSTALL W4-2L SIGN

TRAFFIC DELINEATION AND SIGNAGE LEGEND

- A INSTALL 4" WHITE PAINTED EDGE LINE
- B INSTALL 24" WIDE WHITE CHEVRONS AT 25' OC USING COLD POLYMER FILM TAPE SOLID UNTIL WHITE LINES ARE 5' APART PER USD #245
- C INSTALL 8" WIDE EDGE LINE
- D INSTALL "ARROWS" & "ONLY" USING WHITE COLD POLYMER FILM SEE TURN LANE CONFIGURATION DETAIL
- E INSTALL 2" WIDE "STOP" USING COLD POLYMER FILM PER USD #254.1
- F INSTALL TYPE 4 LANE LINE DELINEATION PER USD #244
- G INSTALL WHITE TURN STORAGE LINE PER USD #248
- H INSTALL MEDIAN NOSE MARKINGS PER USD #248
- I INSTALL BLUE RAISED REFLECTIVE PAVEMENT PARKER PER NOTE THIS SHEET

FIRE HYDRANT MARKER NOTE
 BLUE COLORED REFLECTIVE RAISED PAVEMENT MARKERS ARE TO BE INSTALLED:
 1. ON ROADWAYS WITH NO PARKING PERMITTED ON HYDRANT SIDE; LOCATE MARKER 'B' FROM FACE OF CURB ON HYDRANT SIDE.
 2. ON ROADWAYS WITH PARKING PERMITTED ON HYDRANT SIDE; LOCATE MARKERS '16' FROM FACE OF CURB ON HYDRANT SIDE.



CONTRACTOR NOTE
 CONTRACTOR SHALL VERIFY HORIZONTAL AND VERTICAL LOCATION OF EXISTING UTILITIES AND NOTIFY THE DESIGN ENGINEER IMMEDIATELY OF ANY DISCREPANCIES PRIOR TO CONSTRUCTION.

Call before you Dig
 1-702-455-7511
 CLARK COUNTY TRAFFIC OPERATIONS
 AND
 1-702-228-6611
 LAS VEGAS AREA COMPUTERIZED TRAFFIC SYSTEM

Call before you Dig
 1-800-227-2600

Call before you Overhead
 1-702-227-2929

BASIS OF BEARINGS

THE BASIS OF BEARINGS FOR THIS PROJECT IS NORTH 00°08'16" EAST BEING THE EAST LINE OF THE NORTHWEST QUARTER (NE 1/4) OF THE SECTION 24, TOWNSHIP 19 SOUTH, RANGE 59 EAST, M.D.M., CLARK COUNTY, NEVADA, AS SHOWN ON A RECORD OF SURVEY ON FILE IN THE CLARK COUNTY, NEVADA, RECORDER'S OFFICE IN FILE 123 AT PAGE 32.

PROJECT BENCHMARK

PROJECT DATUM: NORTH AMERICAN VERTICAL DATUM OF 1988 (NAVD88)

CLARK COUNTY VERTICAL CONTROL: 1000-6N6
 NAVD88 ELEVATION: 787.794 METERS (2584.62 FEET)

RIVET AND SQUARE ALUMINUM PLATE IN A CONCRETE CYLINDER, LOCATED 25' SOUTH & 50' EAST OF GRAND CANYON DRIVE AND RED COACH AVENUE, 1' WEST OF ELECTRICAL VAULT.

CITY OF LAS VEGAS BENCHMARK

DATUM: NORTH AMERICAN VERTICAL DATUM OF 1988 (NAVD88)

CLARK COUNTY VERTICAL CONTROL: BLV99-13SES
 NAVD88 ELEVATION: 869.606 METERS (2853.03 FEET)

RIVET AND PLATE IN CONCRETE CYLINDER NW CORNER OF HUALAPAI AND ELKHORN

NOTE: ADD 0.34' TO ABOVE CITY OF LAS VEGAS BENCHMARK BLV99-13SES TO MATCH ORIGINAL PROJECT BENCHMARK, CLARK COUNTY BENCHMARK 1000-6N6 (2584.62 FEET) AS SHOWN ON RECORD OF SURVEY FILE 124 PAGE 94.

CLIFFS EDGE LLC
 3455 CLIFF SHADOWS PARKWAY, SUITE 280
 LAS VEGAS, NEVADA 89129
 (702) 777-1121

CITY OF LAS VEGAS, NEVADA

TRAFFIC PLAN

CLIFFS EDGE / PROVIDENCE
HUALAPAI WAY
DEER SPRINGS TO GRAND TETON

REVISION

NO.	DATE	BY
7		
6		
5		
4		
3		
2		
1		

2727 SOUTH RAINBOW BOULEVARD LAS VEGAS, NEVADA 89146-5148
 PH. (702) 873-7550 FAX (702) 362-2597
 PLANNERS & LAND SURVEYORS
CLIFFS EDGE LLC
 CONSULTING ENGINEERS

ACCEPTED
 CIVIL ENGINEERING DIVISION
 Clark County Development Services
 By: *Mary Ann Simpson*
 DATE: 08/05/04

ACCEPTANCE OF THESE PLANS SHALL NOT BE CONSTRUED TO BE A WARRANTY FOR OR AN APPROVAL OF ANY VIOLATION OF STATE, COUNTY OR FEDERAL LAW SPECIFICATIONS OR THE MANUAL ON UNIFORM TRAFFIC CONTROL DEVICES.

PROFESSIONAL ENGINEER STATE OF NEVADA
 No. 12811
DANIEL J. HARRIS
 CIVIL ENGINEER

DATE: 08-30-07
 EXPIRES 08-30-07

TR2
 26 OF 29 SHEETS
 DRAWING NO. 10714816-Hwy

HTE# 05-19169