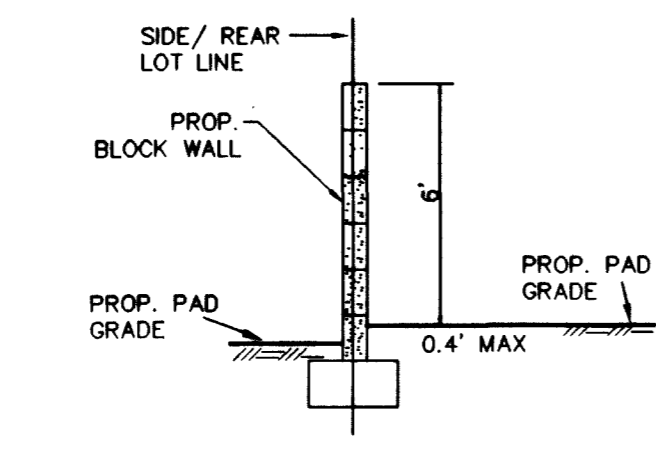
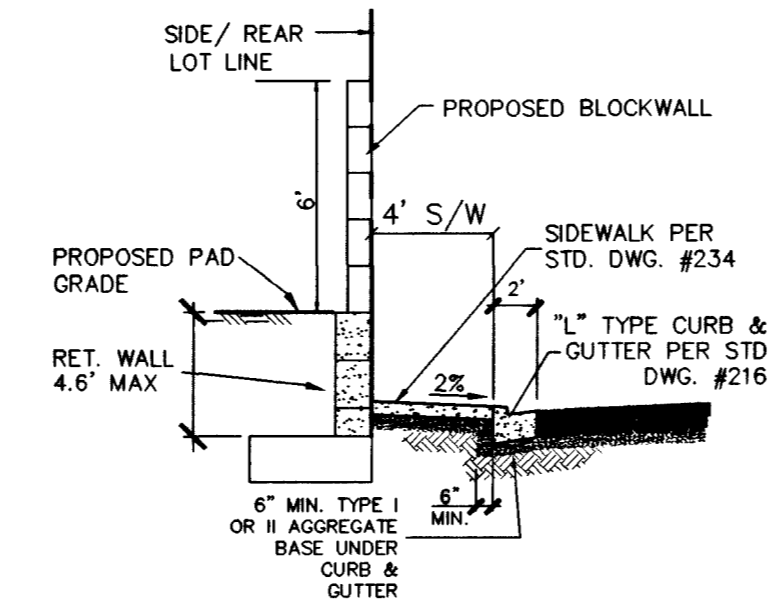


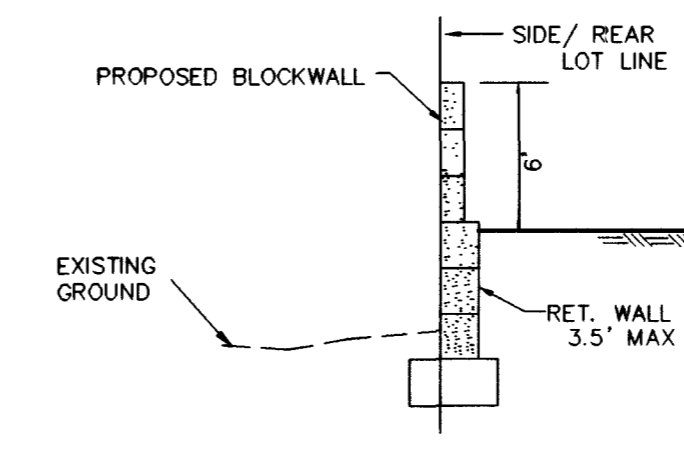
1 1 BLOCK WALL SECTION DETAIL
G1 G2 (N.T.S.)



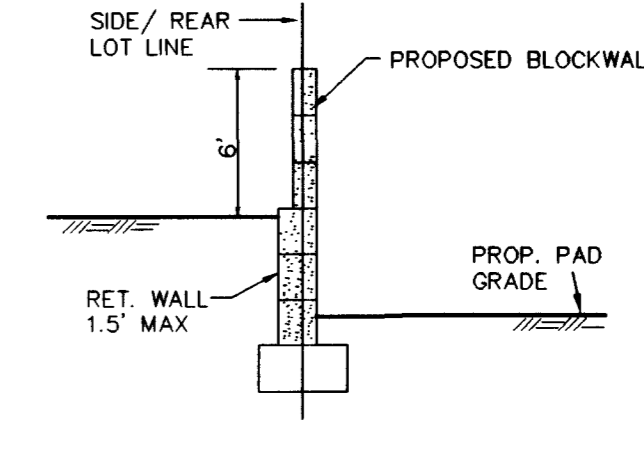
2 2 BLOCK WALL SECTION DETAIL
G1 G2 (N.T.S.)



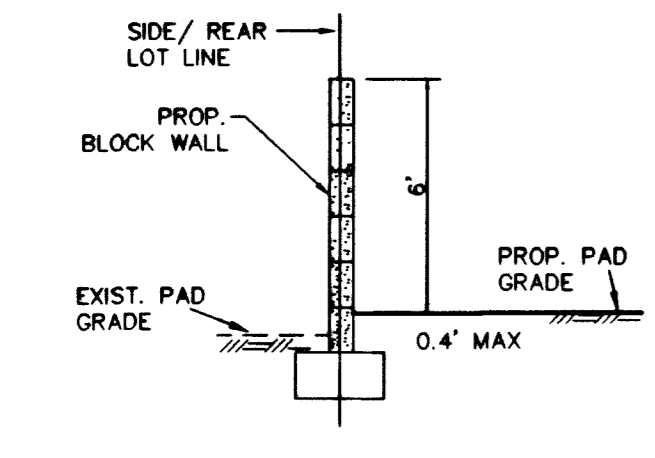
3 3 RETAINING WALL SECTION DETAIL
G1 G2 (N.T.S.)



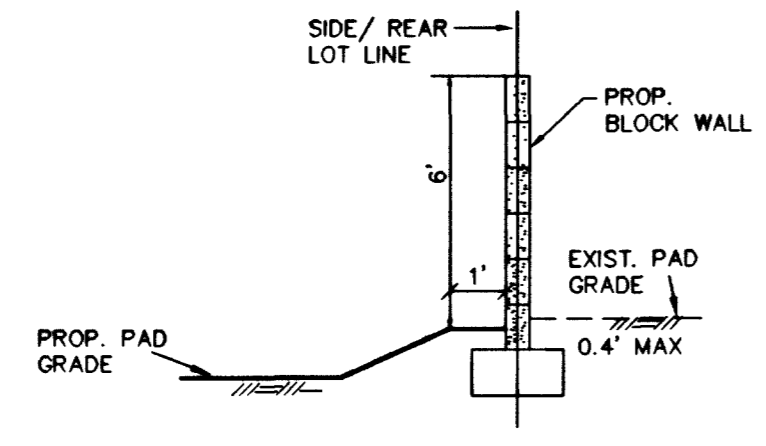
4 4 BLOCK WALL SECTION DETAIL
G1 G2 (N.T.S.)



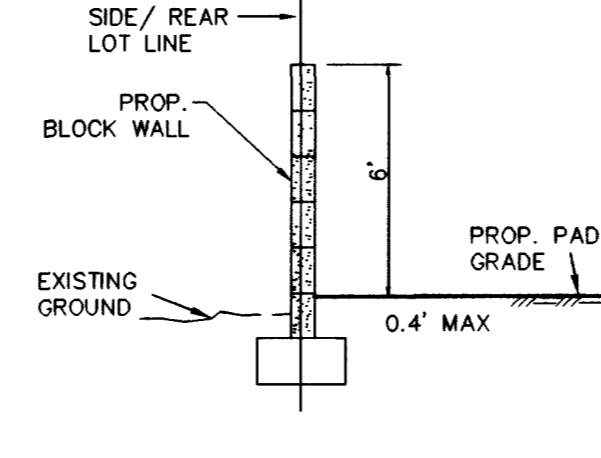
5 5 BLOCK WALL SECTION DETAIL
G1 G2 (N.T.S.)



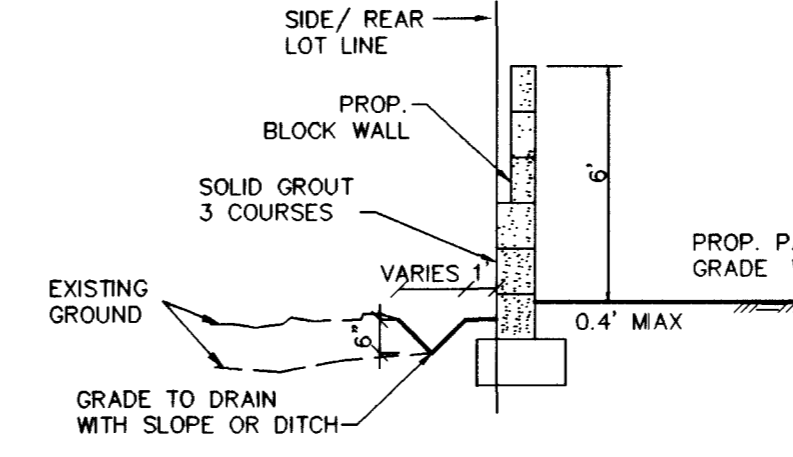
6 6 BLOCK WALL SECTION DETAIL
G1 G2 (N.T.S.)



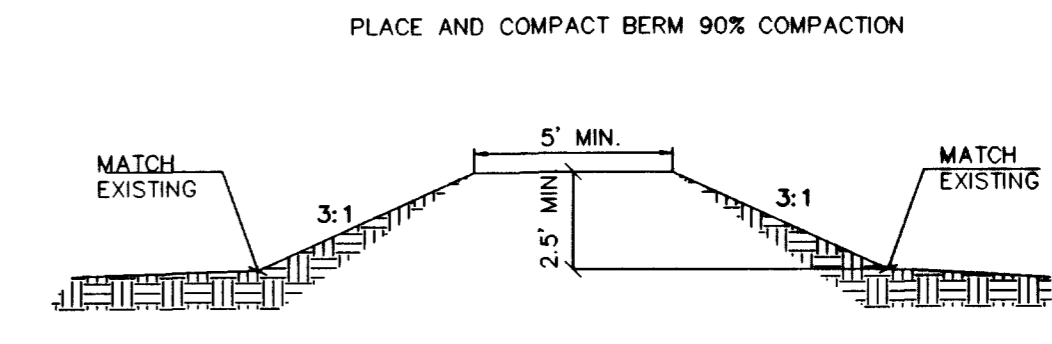
7 7 BLOCK WALL SECTION DETAIL
G1 G2 (N.T.S.)



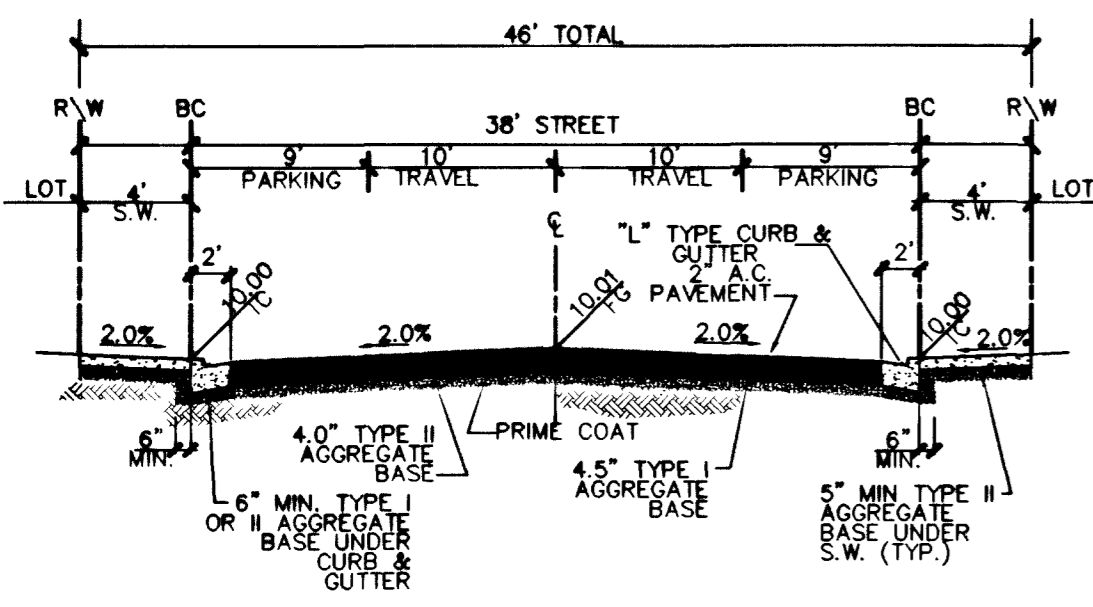
8 8 BLOCK WALL SECTION DETAIL
G1 G2 (N.T.S.)



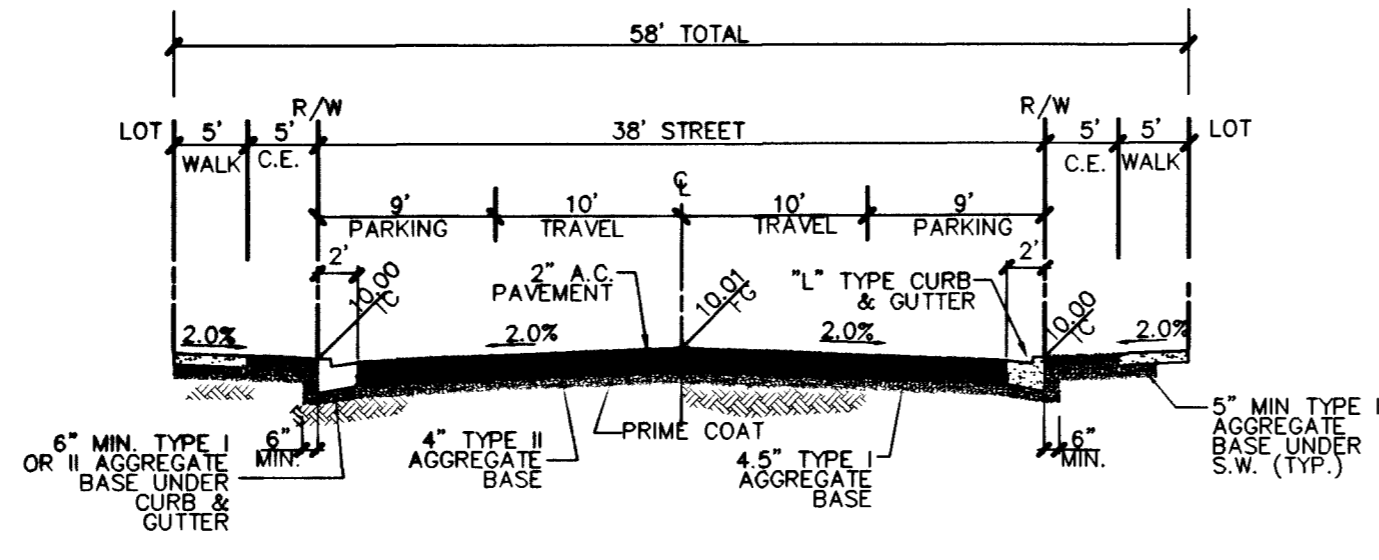
9 9 BLOCK WALL SECTION DETAIL
G1 G2 (N.T.S.)



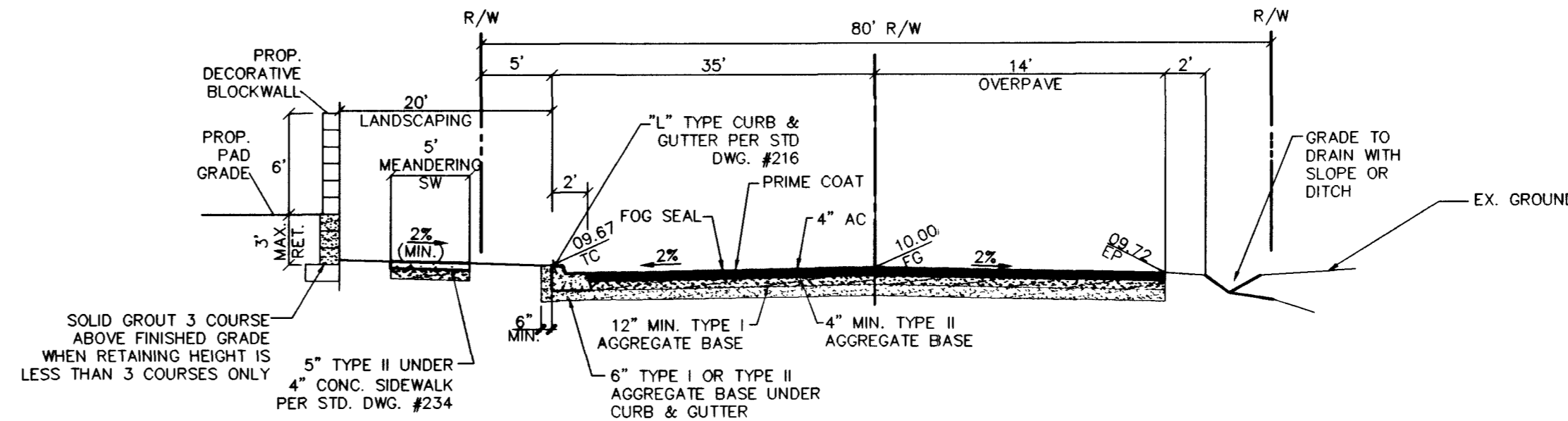
10 10 BERM SECTION
G1 G2 (N.T.S.)



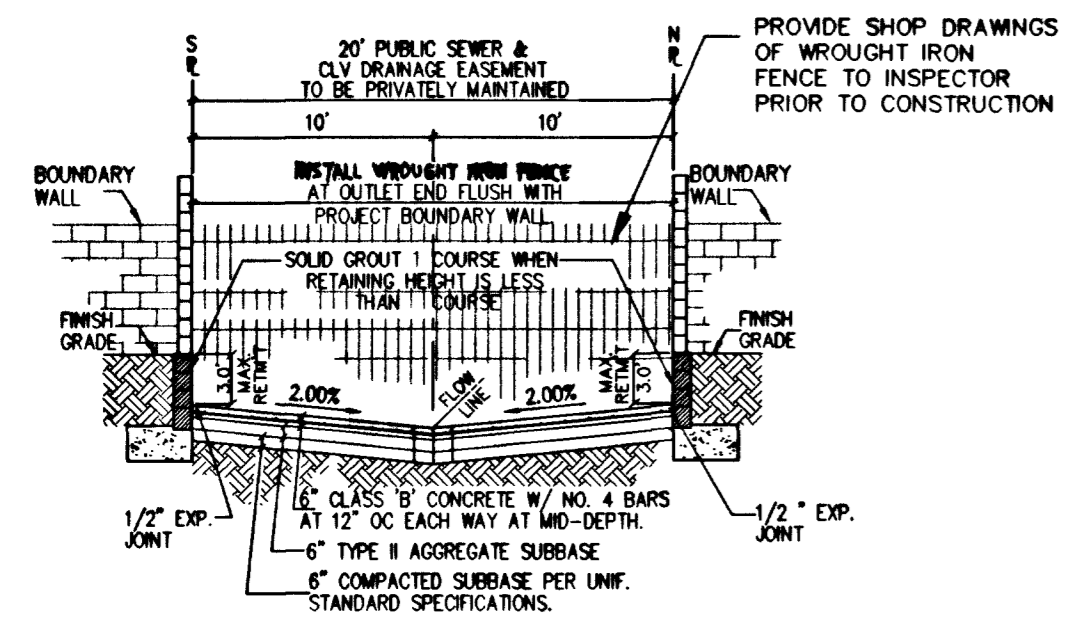
11 11 TYPICAL 46' STREET SECTION (PUBLIC)
G1 G2 (N.T.S.)



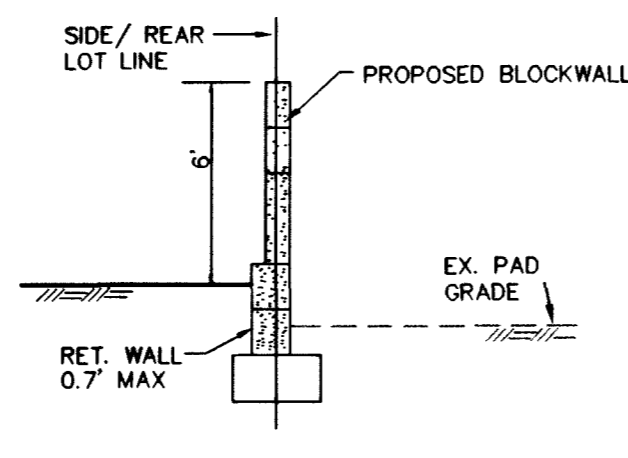
12 12 TYPICAL 58' STREET SECTION (PUBLIC)
G1 G2 (N.T.S.) STD DWG NO. 206



13 13 TYPICAL 80' HALF STREET (PUBLIC)
G1 G2 (N.T.S.)



14 14 20' PUBLIC DRAINAGE EASEMENT DETAIL & CLV PUBLIC SEWER EASEMENT DETAIL (TO BE PRIVATELY MAINTAINED)
G1 G2 (N.T.S.)



15 15 BLOCK WALL SECTION DETAIL
G1 G2 (N.T.S.)

7	6	5	4	3	2	1	DATE	BY
CITY OF LAS VEGAS								
2727 SOUTH RAINBOW BOULEVARD LAS VEGAS, NEVADA 89146-9148 PH. (702) 873-7550 FAX (702) 362-2597								
neveda CONSULTING ENGINEERS • PLANNERS • LAND SURVEYORS								
KB HOME 750 PILOT ROAD, SUITE F LAS VEGAS, NV 89119 (702) 614-2500								
DETAIL SHEET								
IRON MOUNTAIN RANCH VILLAGE 6 UNIT 2								
DRAWN BY:	JAN '02							
R.M.S.								
DESIGNED BY:	JAN '02							
R.M.S.								
CHECKED BY:	JAN '02							
KFN								
PROJECT NO:	SCALE: 1"=40' HORIZ. VERT. NA							
5974-2								
PROFESSIONAL ENGINEER KENNETH W. MOULSON CIVIL No. 10639 EXPIRES 12-31-05								
SHEET G4 10 OF 25 SHEETS DRAWING NO. 1674-4604-6-2								

50482