

- LEGEND**
- WATER**
- ① FIRE HYDRANT ASSEMBLY..... 4 EA.
 - (PER UDACS PLATE No. 7)
 - ② 8" GATE VALVE..... 2 EA.
 - ③ 8" x 6" TEE..... 2 EA.
 - ④ 4" 45° ELBOW..... 4 EA.
 - ⑤ 4" 22.5° ELBOW..... 0 EA.
 - ⑥ 6" GATE VALVE..... 2 EA.
 - ⑦ 4" 90° ELBOW..... 1 EA.
 - ⑧ [CAP ONLY..... 0 EA.
 - (PER UDACS PLATE No. 4)
 - ⑨ CAP W/ 2" B.O. ASSEMBLY..... 2 EA.
 - (PER UDACS PLATE No. 4)
 - ⑩ 8" x 6" REDUCER..... 0 EA.
 - W/ 5/8" METER..... 54 EA.
 - (PER UDACS PLATE 1D)
 - 3/4" METER..... 5 EA.
 - (PER UDACS PLATE 1D)
 - 8" WATER MAIN..... 1,296 LF
 - 6" WATER MAIN..... 3,000 LF
- SEWER**
- STANDARD MANHOLE (PUBLIC)..... 2 EA.
 - 4" SEWER LATERALS (PRIVATE)..... 1,887 LF
 - 4" SEWER WYES (PRIVATE)..... 59 EA.
 - BWV BACKWATER VALVES (PRIVATE)..... 2 EA.
 - 8" SEWER MAIN (PUBLIC)..... 341 LF
- SEWER CONTRIBUTION (BASED ON 59 LOTS)**
- AVERAGE DAILY FLOW = 0.0148 MGD.
PEAK FLOW (PF=3.5) = 0.5163 MGD.
- STREET LIGHT & SIGNAGE**
- 70 WATT H.P.S. (PUBLIC) SUMMERLIN TYPE 5C POLES..... 13 EA. WITH 8.0' ARMS
 - 150 WATT H.P.S. (PUBLIC) SUMMERLIN TYPE 2B POLES..... 1 EA. WITH 8.0' ARMS
 - 1 1/4" ST. LT. CONDUIT..... 2,016 EA.
 - 3 1/2" PULLBOX (PUBLIC)..... 10 EA.
 - R1-1 "STOP" SIGN & (2) D3 "STREET NAME" SIGNS..... 4 EA.
 - (2) D3 "STREET NAME" SIGNS..... 2 EA.
 - DRIVEWAY LOCATION (SCHEMATIC)..... 59 EA.
 - POINT OF CONNECTION..... 9 EA.

MATCHLINE - SEE SHEET UT2 FOR CONTINUATION

PROJECT NAME: Iron Mountain Ranch
 4 Villages 5 Units 2, 3, 4, 5 & 6
 This project water plan complies with the Las Vegas Valley Water District's technical requirements. However, this water plan is NOT APPROVED FOR CONSTRUCTION at this time and this signature does not provide or imply a water commitment.
 [Signature] 12/10/02
 LVVWD DATE

DISCLAIMER NOTE

UTILITY LOCATIONS SHOWN HEREON ARE APPROXIMATE ONLY. IT SHALL BE THE CONTRACTOR'S RESPONSIBILITY TO DETERMINE THE EXACT HORIZONTAL AND VERTICAL LOCATION OF ALL EXISTING UNDERGROUND AND OVERHEAD UTILITIES PRIOR TO COMMENCING CONSTRUCTION. NO REPRESENTATION IS MADE THAT ALL EXISTING UTILITIES ARE SHOWN HEREON. THE ENGINEER ASSUMES NO RESPONSIBILITY FOR UTILITIES NOT SHOWN OR UTILITIES NOT SHOWN IN THEIR PROPER LOCATION.

PROJECT BENCHMARK

PROJECT DATUM: NAVD88
 (OLD) CITY OF LAS VEGAS BENCHMARK 1LV90-13NES NAVD88 ELEVATION: 710.9608 METERS (2332.54 FEET)
 PROJECT DESIGNED USING OLD BENCHMARK
 (NEW) CITY OF LAS VEGAS BENCHMARK 1LV90-13NES NAVD88 ELEVATION: 710.9181 METERS (2332.40 FEET)
 (-0.14 FEET) TO GET NEW PUBLISHED DATUM
 ONLY BM 413148, NAVD 88 ELEV=710.953 METERS (2332.52 FEET), 1" DIAMETER CONCRETE MONUMENT 77 FEET SOUTH & 54 FEET WEST OF N.E. CORNER SEC. 13T19R60E 10' EAST OF LARGE POWER POLE.

BASIS OF BEARINGS

THE BASIS OF BEARINGS FOR THIS PROJECT IS GRID NORTH AS DEFINED BY THE NEVADA COORDINATE SYSTEM OF 1983 (NCS83), EAST ZONE (2701), DETERMINED BY CLARK COUNTY GIS CONTROL POINTS 802, 803, 804 AND 805, AS SHOWN ON RECORD OF SURVEY ON FILE IN THE CLARK COUNTY, NEVADA, RECORDER'S OFFICE, IN BOOK 88 OF SURVEYS, AT PAGE 53.

LAS VEGAS FIRE DEPARTMENT

FIRE FLOW REQUIREMENT IS 1,500 GALLONS/MIN. AT 20 LBS./SQ.IN. RESIDUAL.

BASED ON:
 SQUARE FOOTAGE: 2600
 LARGEST AREA BETWEEN SEPARATION WALLS:
 HEIGHT: 2 STORY
 TYPE OF CONSTRUCTION:
 EXPOSURES: 10' MIN.
 SPRINKLER SYSTEM: NONE
 OCCUPANCY: SINGLE FAMILY RESIDENCE
 ROOF CONSTRUCTION: CONCRETE TIL

REVIEWED BY: [Signature]
 DATE: 12/10/02
 PROVIDE FIRE LANE IDENTIFICATION PER CITY ORD. 3677

APPROVAL:

[Signature] 11/10/03
 LAS VEGAS VALLEY WATER DISTRICT DATE
 [Signature] 12/10/02
 CITY OF LAS VEGAS FIRE MARSHAL DATE

NEVADA POWER COMPANY DATE

Avoid overhead power line contact. It's costly.
Call before you Overhead
 1-702-593-6111

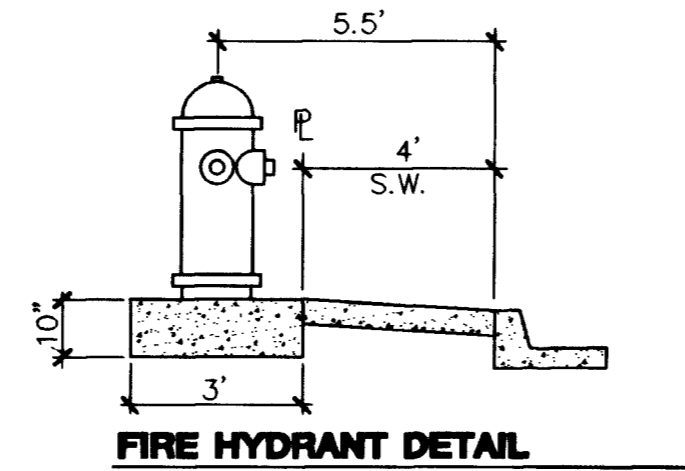
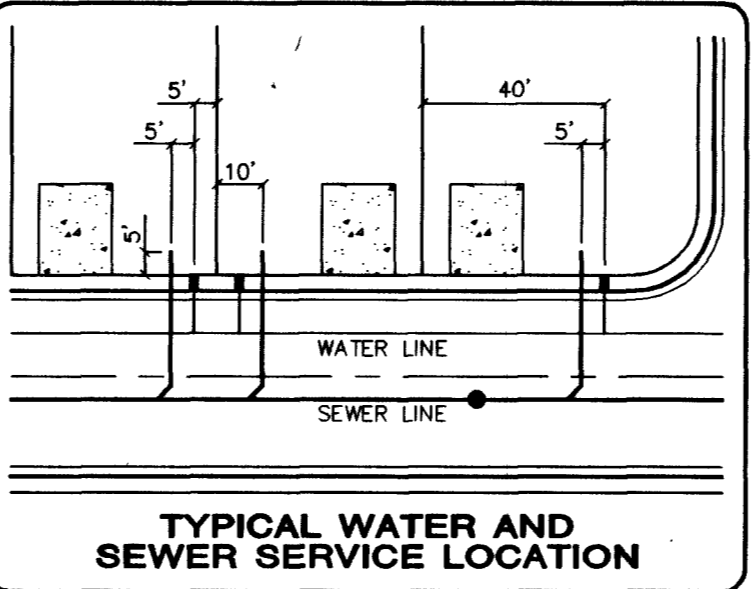
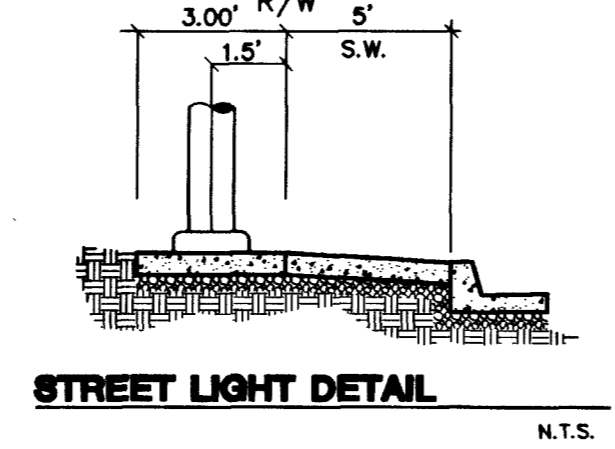
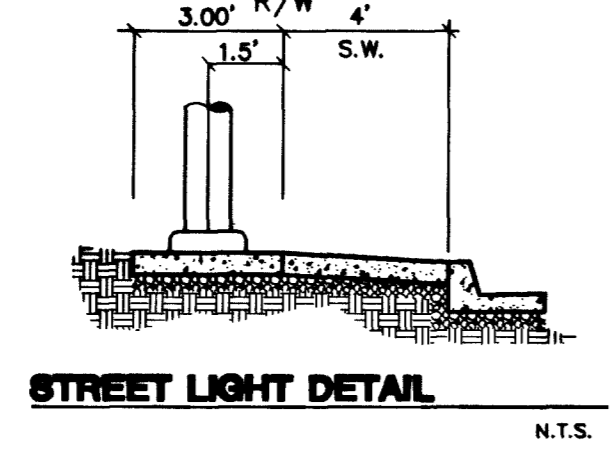
Avoid cutting underground utility lines. It's costly.
Call before you Dig
 1-800-227-2600

SERVICE LATERALS FOR LOTS: 692-699 & 714-718 WILL BE TAPPED ON EXISTING MAIN BY OWNERS CONTRACTOR UNDER DIRECTION OF THE LVVWD.

ALL LOTS
 THIS PROPERTY MAY HAVE STATIC WATER PRESSURE IN EXCESS OF 80 PSI. THE UNIFORM PLUMBING CODE REQUIRES THAT INDIVIDUAL, ON-SITE (PRIVATE), PRESSURE REDUCING VALVES BE INSTALLED WHENEVER THE PRESSURE EXCEEDS 80 PSI. PRVs ARE THE DEVELOPER'S RESPONSIBILITY AND WILL NOT BE INSPECTED OR INCLUDED IN THE ACCEPTANCE OF LVVWD FACILITIES.

NOTE:
 INSTALL PIPELINE MARKER BALLS IN TRENCH ABOVE EACH HORIZONTAL ELBOW FITTING, PER MANUFACTURER INSTRUCTIONS.

SNWA CONSTRUCTION NOTES:
 CONTRACTOR SHALL FIELD LOCATE AND PROTECT ALL SNWA/SNWS APPURTENANCES INCLUDING, BUT NOT LIMITED TO AV/AR, ACCESS MANWAYS AND CATHODIC PROTECTION SYSTEMS. ALL ABOVE GROUND STRUCTURES AND AT GRADE STRUCTURES MUST BE ADJUSTED TO NEW GRADE AT CONTRACTOR'S EXPENSE. CATHODIC PROTECTION TEST STATIONS, RECTIFIERS, AND AV/AR'S MUST BE RELOCATED TO THE SIDEWALK PER SNWA STANDARDS AND AT THE CONTRACTOR'S EXPENSE. CONTRACTOR TO NOTIFY SOUTHERN NEVADA WATER AUTHORITY, DEVELOPMENT PLAN REVIEW, AT (702) 862-3444 AT LEAST 48 HOURS PRIOR TO CONSTRUCTION ACTIVITY.



[Signature] [Signature]
 SOUTHERN NEVADA WATER AUTHORITY DATE
 SNWA APPROVAL IS VALID FOR ONE YEAR FROM THE SIGNATURE DATE. IF CONSTRUCTION WITHIN THE EASEMENT OF RESTRICTED PIPE SAFETY ZONE IS NOT COMPLETE, PLANS MUST BE RESUBMITTED TO SNWA FOR APPROVAL.

48395 R6m 48436 R6m 50913

7	6	5	4	3	2	1
DATE	BY	REVISION	DATE	BY	REVISION	DATE
1-3-03	ELR	REVISED STREET NAME	11/17/03			
CITY OF LAS VEGAS						
KB HOME 750 PILOT ROAD, SUITE F LAS VEGAS, NV 89119 (702) 611-2500						
MASTER UTILITY & STREETLIGHT PLAN						
IRON MOUNTAIN RANCH VILLAGE 5 UNIT 3						
DESIGNED BY:	AUGUST '02	DESIGNED BY:	AUGUST '02	CHECKED BY:	AUGUST '02	PROJECT NO.:
RMS		RMS		KVL		5919-3
SCALE:	1"=40'	SCALE:	1"=40'	SCALE:	N/A	
EXPIRES 12-31-03						
SHEET 5 OF 14 SHEETS DRAWING NO. 3074-4604-5-3						