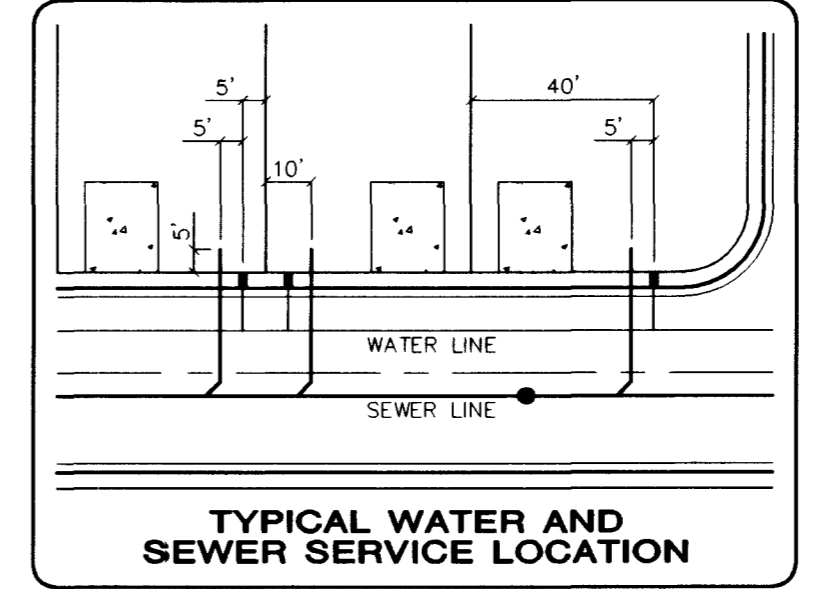
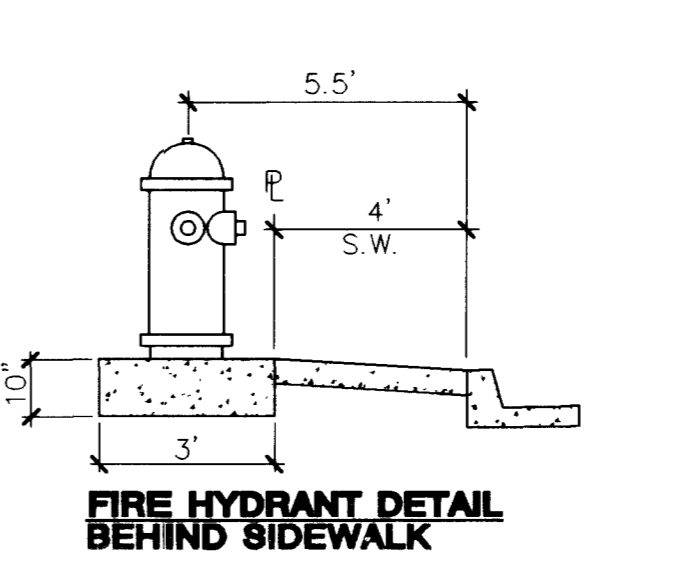
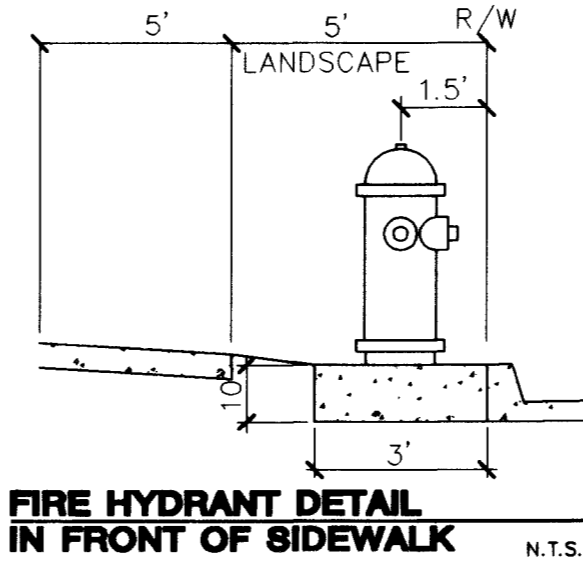
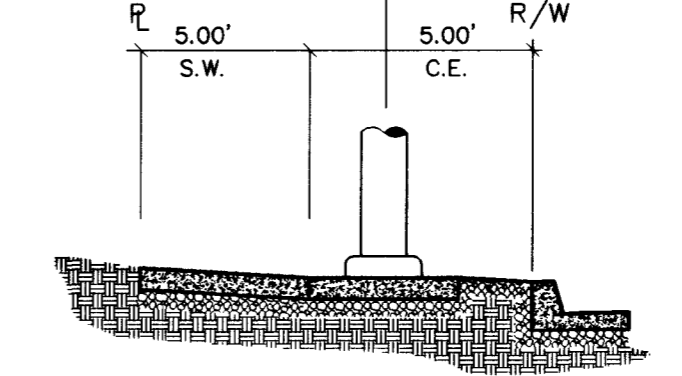
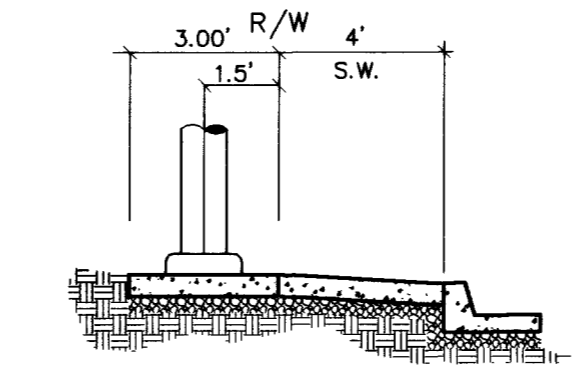
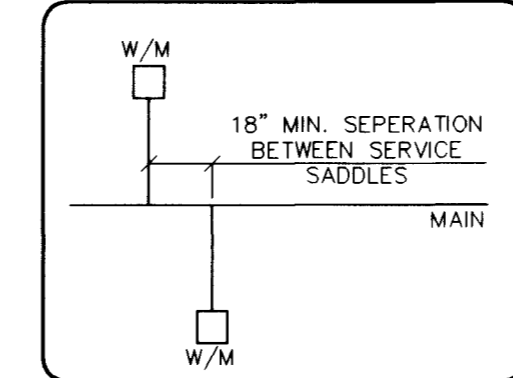


**ALL LOTS**  
THIS PROPERTY MAY HAVE STATIC WATER PRESSURE IN EXCESS OF 80 PSI. THE UNIFORM PLUMBING CODE REQUIRES THAT INDIVIDUAL ON-SITE (PRIVATE), PRESSURE REDUCING VALVES BE INSTALLED WHENEVER THE PRESSURE EXCEEDS 80 PSI. PRVs ARE THE DEVELOPER'S RESPONSIBILITY AND WILL NOT BE INSPECTED OR INCLUDED IN THE ACCEPTANCE OF LVWD FACILITIES.



**NOTE:**  
ALL MH STATIONING IS BASED ON SEWER LENGTHS FROM MANHOLE TO MANHOLE. ALL MANHOLES ARE 60" SIZE MANHOLES PER STD. DWG #SD-1, UNLESS OTHERWISE SPECIFIED.

**NOTE:**  
INSTALL PIPELINE MARKER BALLS IN TRENCH ABOVE EACH HORIZONTAL ELBOW FITTING, PER MANUFACTURER INSTRUCTIONS.



**Call before you Dig**  
1-800-227-2600

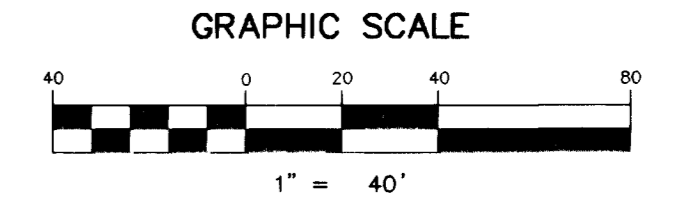
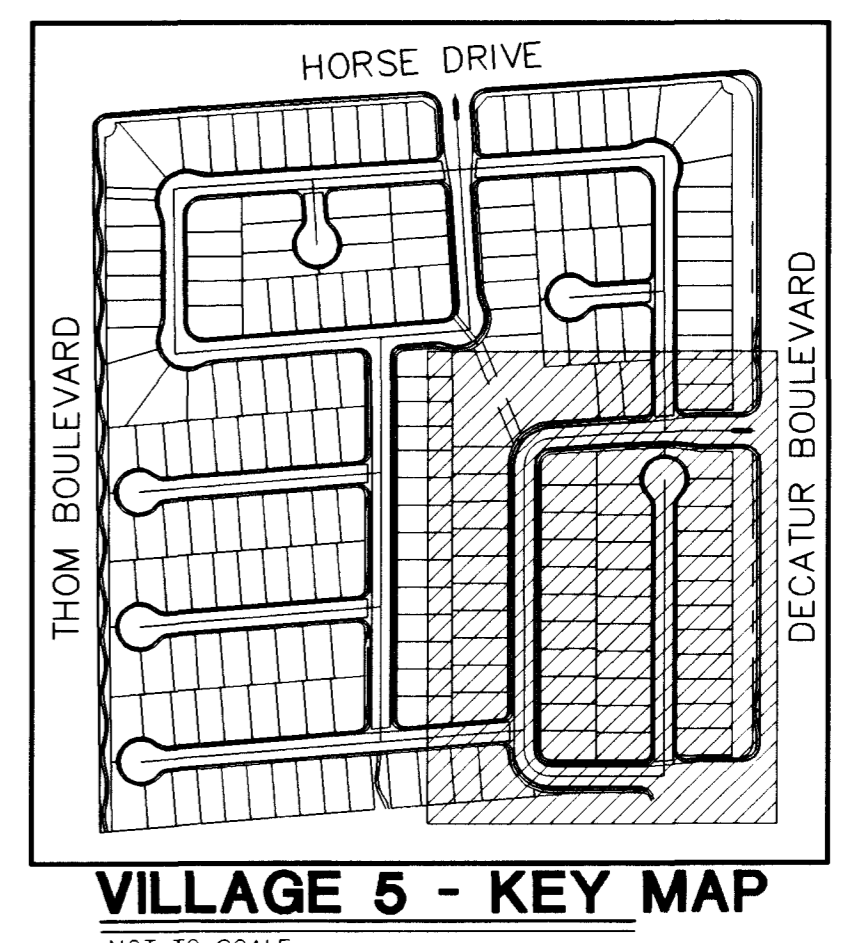
**Call before you Overhead**  
1-702-593-6111

**DISCLAIMER NOTE**  
UTILITY LOCATIONS SHOWN HEREON ARE APPROXIMATE ONLY. IT SHALL BE THE CONTRACTOR'S RESPONSIBILITY TO DETERMINE THE EXACT HORIZONTAL AND VERTICAL LOCATION OF ALL EXISTING UNDERGROUND AND OVERHEAD UTILITIES PRIOR TO COMMENCING CONSTRUCTION. NO REPRESENTATION IS MADE THAT ALL EXISTING UTILITIES ARE SHOWN HEREON. THE ENGINEER ASSUMES NO RESPONSIBILITY FOR UTILITIES NOT SHOWN OR UTILITIES NOT SHOWN IN THEIR PROPER LOCATION.

**PROJECT BENCHMARK**  
PROJECT DATUM: NAVD88  
(OLD) CITY OF LAS VEGAS BENCHMARK 1LV90-13NES NAVD88 ELEVATION: 710.9608 METERS (2332.54 FEET)  
PROJECT DESIGNED USING OLD BENCHMARK  
(NEW) CITY OF LAS VEGAS BENCHMARK 1LV90-13NES NAVD88 ELEVATION: 710.9181 METERS (2332.40 FEET) (-0.14 FEET) TO GET NEW PUBLISHED DATUM  
ONLY BM 413148, NAVD 88 ELEV=710.953 METERS (2332.52 FEET) 1" DIAMETER CONCRETE MONUMENT 7.7 FEET SOUTH & 5.4 FEET WEST OF N.E. CORNER SEC. 13T19R60E 10' EAST OF LARGE POWER POLE.

**BASIS OF BEARINGS**  
THE BASIS OF BEARINGS FOR THIS PROJECT IS GRID NORTH AS DEFINED BY THE NEVADA COORDINATE SYSTEM OF 1983 (NCS83), EAST ZONE, (2701), DETERMINED BY CLARK COUNTY GIS CONTROL POINTS 802, 803, 804, AND 805, AS SHOWN ON A RECORD OF SURVEY ON FILE IN THE CLARK COUNTY NEVADA, RECORDER'S OFFICE, IN BOOK 88 OF SURVEYS, AT PAGE 53.

SERVICE LATERALS FOR LOTS 564 WILL BE TAPPED ON EXISTING MAIN BY OWNER'S CONTRACTOR UNDER DIRECTION OF THE LVWD.



**NOTE**  
SEE SHEET C5 FOR QUANTITIES

**LEGEND**

- WATER**
- ① FIRE HYDRANT ASSEMBLY INCLUDING: 8"x6" TEE, 6" GV (PER UDACS PLATE NO. 7)
  - ② 8" GATE VALVE
  - ③ 8"x8" TEE
  - ④ 4" 45° ELBOW
  - ⑤ 4" 22.5° ELBOW
  - ⑥ 4" 11.25° ELBOW
  - ⑦ CAP W/ 2" B.O. ASSEMBLY (PER UDACS PLATE NO. 4)
  - ⑧ 8" x 6" REDUCER
  - ⑨ FIRE HYDRANT ASSEMBLY ON EXISTING: 8"x6" TEE, 6" GV (PER UDACS PLATE NO. 7)
  - ⑩ 1" SERVICE W/ 5/8" METER (PER UDACS PLATE 1B)
  - ⑪ 3/4" METER W/ 1" RPPA (PER UDACS PLATE 1D & 11A)
- SEWER**
- STANDARD MANHOLE (PUBLIC)
  - 4" SEWER LATERALS (PRIVATE)
  - 4" SEWER WYES (PRIVATE)
  - BW BACKWATER VALVES (PRIVATE)
  - 8" SEWER MAIN (PUBLIC)

**SEWER CONTRIBUTION (BASED ON 89 LOTS)**  
AVERAGE DAILY FLOW = 0.0173 MGD.  
PEAK FLOW (PF=3.5) = 0.6038 MGD.

△ DRIVEWAY LOCATION (SCHEMATIC)  
○ POINT OF CONNECTION

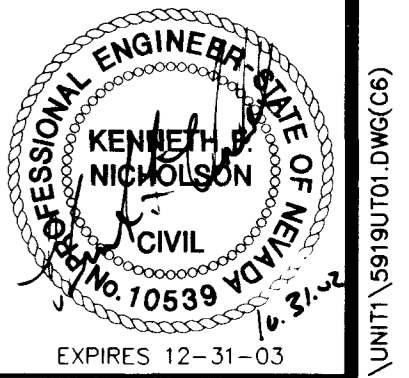
**LAS VEGAS FIRE DEPARTMENT**

FIRE FLOW REQUIREMENT IS 1,500 GALLONS/MIN. AT 20 LBS./SQ.IN. RESIDUAL.  
BASED ON:  
SQUARE FOOTAGE: 2600  
LARGEST AREA BETWEEN SEPERATION WALLS:  
HEIGHT: 2 STORY  
TYPE OF CONSTRUCTION:  
EXPOSURES: 10' MIN  
SPRINKLER SYSTEM: NONE  
OCCUPANCY: SINGLE FAMILY RESIDENCE  
ROOF CONSTRUCTION: CONCRETE TILE  
REVIEWED BY:  
DATE:  
PROVIDE FIRE LANE IDENTIFICATION PER CITY ORD. 3677

**APPROVAL:**

1209/11/19/02  
LAS VEGAS VALLEY WATER DISTRICT DATE  
10/30/02  
CITY OF LAS VEGAS FIRE MARSHAL DATE  
NEVADA POWER COMPANY DATE

7	6	5	4	3	2	1	REV.	DATE	BY
<b>CITY OF LAS VEGAS</b>									
<b>KB HOME</b>									
<b>MASTER UTILITY PLAN</b>									
<b>IRON MOUNTAIN RANCH VILLAGE 5 UNIT 1</b>									
DRAWN BY: JUNE '02 DESIGNED BY: JUNE '02 CHECKED BY: JUNE '02 PROJECT NO: SCALE: 1"=40' HORIZ. N/A VERT. SHEET C6 6 OF 23 SHEETS DRAWING NO. 3074-4604-5-1									



EXPIRES 12-31-03