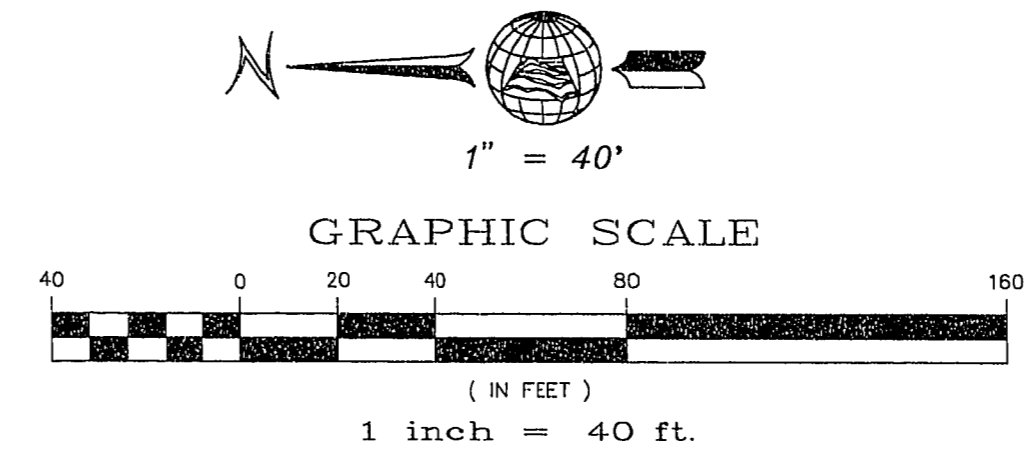


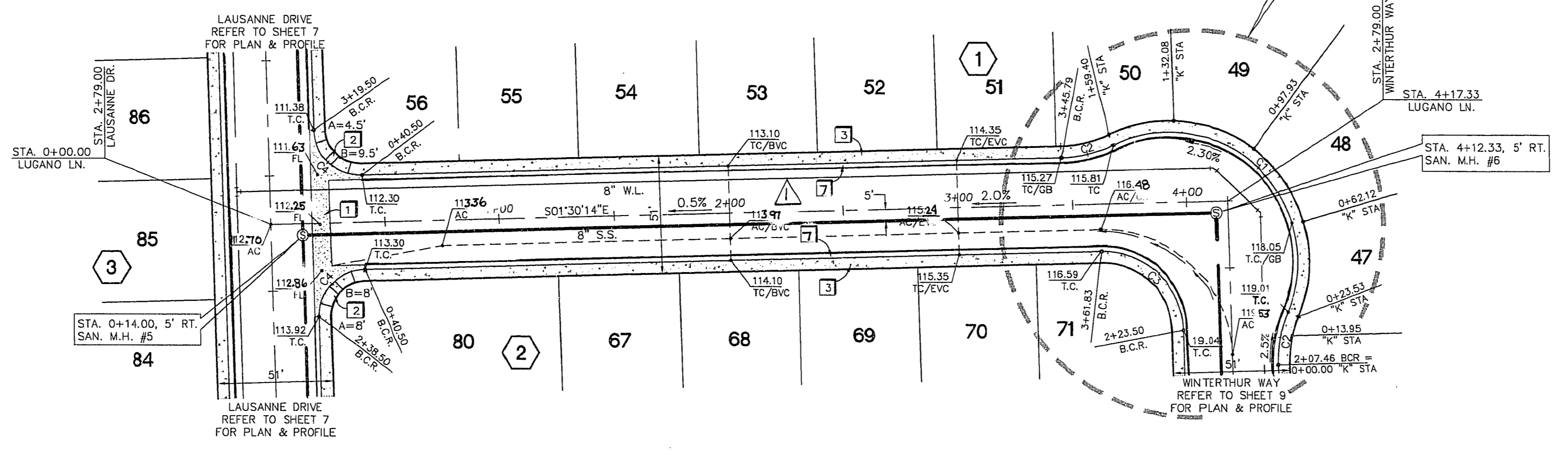
Call before you Dig
1-800-227-2600

BENCHMARK
OLV00 17NES
RIVET IN PLATE IN TOP OF CURB,
SW RETURN CHEYENNE AVE.
AND RAMPART BLVD.
ELEVATION = 2448.333



BACK OF CURB CURVE DATA TABLE

No.	RADIUS	DELTA	LENGTH	TANGENT
C1	56.00'	139°00'51"	135.87'	149.84'
C2	55.00'	24°30'28"	23.53'	11.85'
C3	35.00'	90°00'00"	54.98'	35.00'
C4	20.00'	90°00'00"	31.42'	20.00'



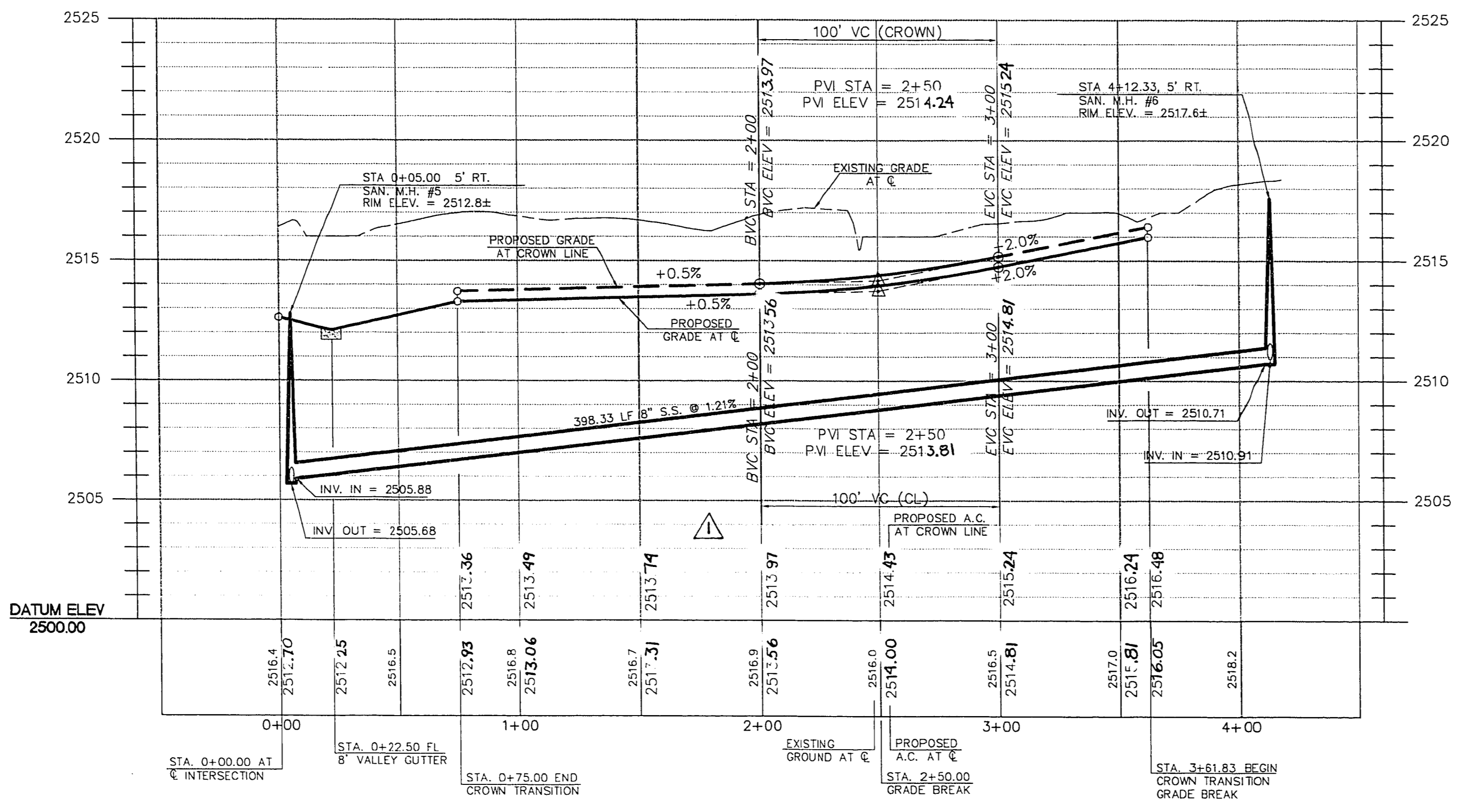
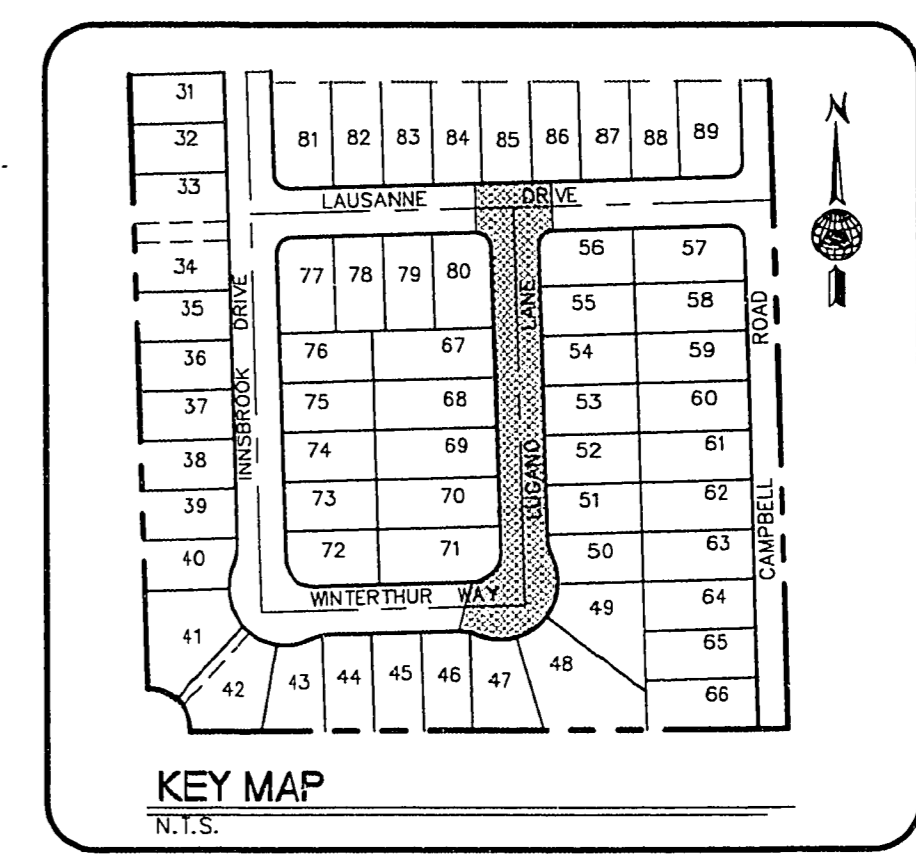
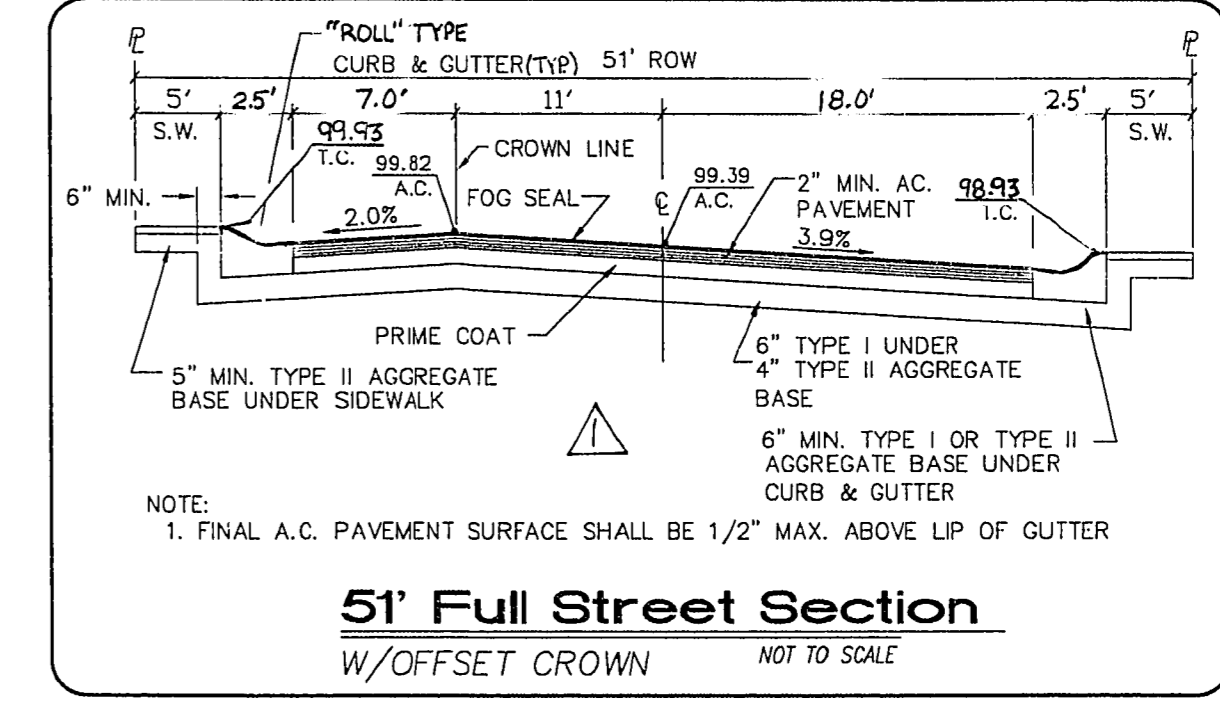
LUGANO LANE - PLAN VIEW
HORIZONTAL SCALE: 1" = 40'

CONSTRUCTION NOTES

1. CONSTRUCT 8" CONCRETE VALLEY GUTTER PER CLARK COUNTY AREA STANDARD DWG. NO. 228.
2. CONSTRUCT SIDEWALK RAMP (CASE 1) PER CLARK COUNTY AREA STANDARD DWG. NO. 235. (TRANSITION LENGTHS A & B SHOWN ON PLAN, Z=3.5')
3. CONSTRUCT 5' WIDE CONCRETE SIDEWALK PER CLARK COUNTY AREA STANDARD DWG. NO. 234.
4. CONSTRUCT "I" TYPE CURB & GUTTER PER CLARK COUNTY AREA STANDARD DWG. NO. 216.
5. CONSTRUCT 30" "ROLL" TYPE CURB AND GUTTER. SEE DETAIL SHEET 11.

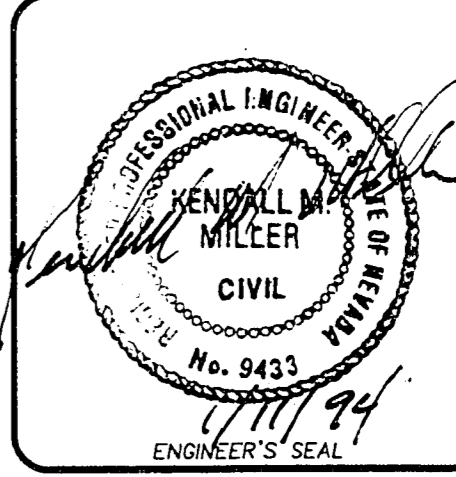
GENERAL NOTES

1. ADD 2400' TO PLAN VIEW ELEVATIONS.
2. ALL STATIONING IS CENTERLINE STATIONING UNLESS OTHERWISE NOTED.
3. SEWER LENGTHS ARE FROM CENTER OF MANHOLE.
4. "K" STA INDICATES KNUCKLE STATIONING AT BACK OF CURB.



LUGANO LANE - PROFILE
HORIZONTAL SCALE: 1" = 40'
VERTICAL SCALE: 1" = 4'

Job Number	7214.573	Scale	1" = 40'
Sheet Number	8 OF 11	Drawn by	WMP
Checked by	KMM	File No.	573IMP
Date	NOV. 30, 1993	Checked by	KMM
Plot Date	1/7/94	Date	NOV. 30, 1993
Drawn by	WMP	Scale	1" = 40'
Checked by	KMM	File No.	573IMP
Date	NOV. 30, 1993	Checked by	KMM
Plot Date	1/7/94	Date	NOV. 30, 1993



11-10-145 107Y-4303-1