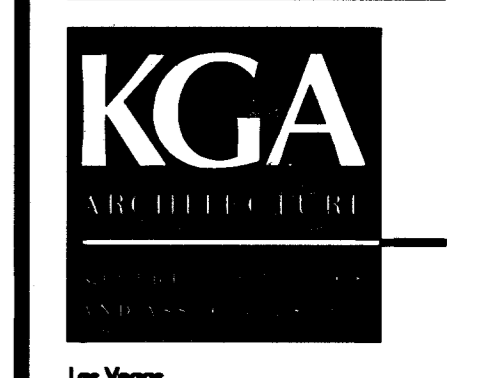


FIRST GOOD SHEPHERD LUTHERN SCHOOL
 NEVADA
 LAS VEGAS



Las Vegas 4495 South Polaris Avenue
 Las Vegas, Nevada 89103
 702.367.6900
 Austin 1701 Director Boulevard, Suite 770
 Austin, Texas 78744
 512.441.8200
 www.KGAarchitecture.com

STRUCTURAL
BANKER DROTTER ASSOC., L.L.C.
 PHONE 702-367-9880
 MECHANICAL - PLUMBING - ELECTRICAL
JSA CONSULTING ENGINEERS
 PHONE 702-367-9880

CIVIL
L.R. NELSON CONSULTING ENGINEERS
 PHONE 702-798-7979

LANDSCAPE
SOUTHWICK LANDSCAPE ARCHITECTS
 PHONE 702-367-9880

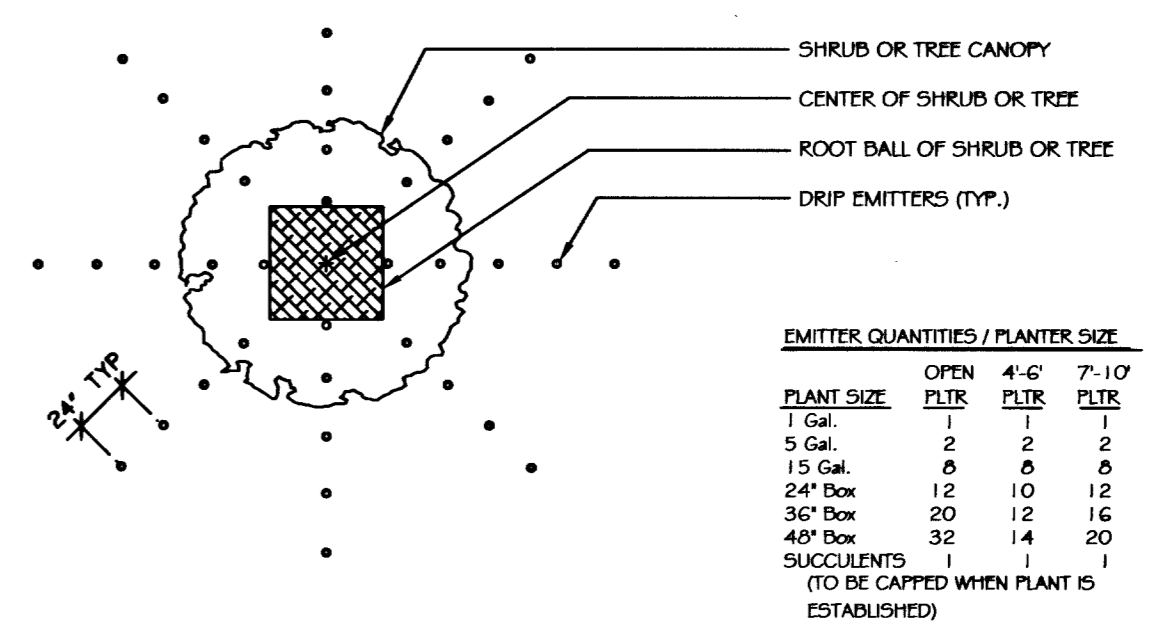
PROJECT
FIRST GOOD SHEPHERD LANDSCAPE PLANS

SHEET CONTAINS
IRRIGATION DETAILS

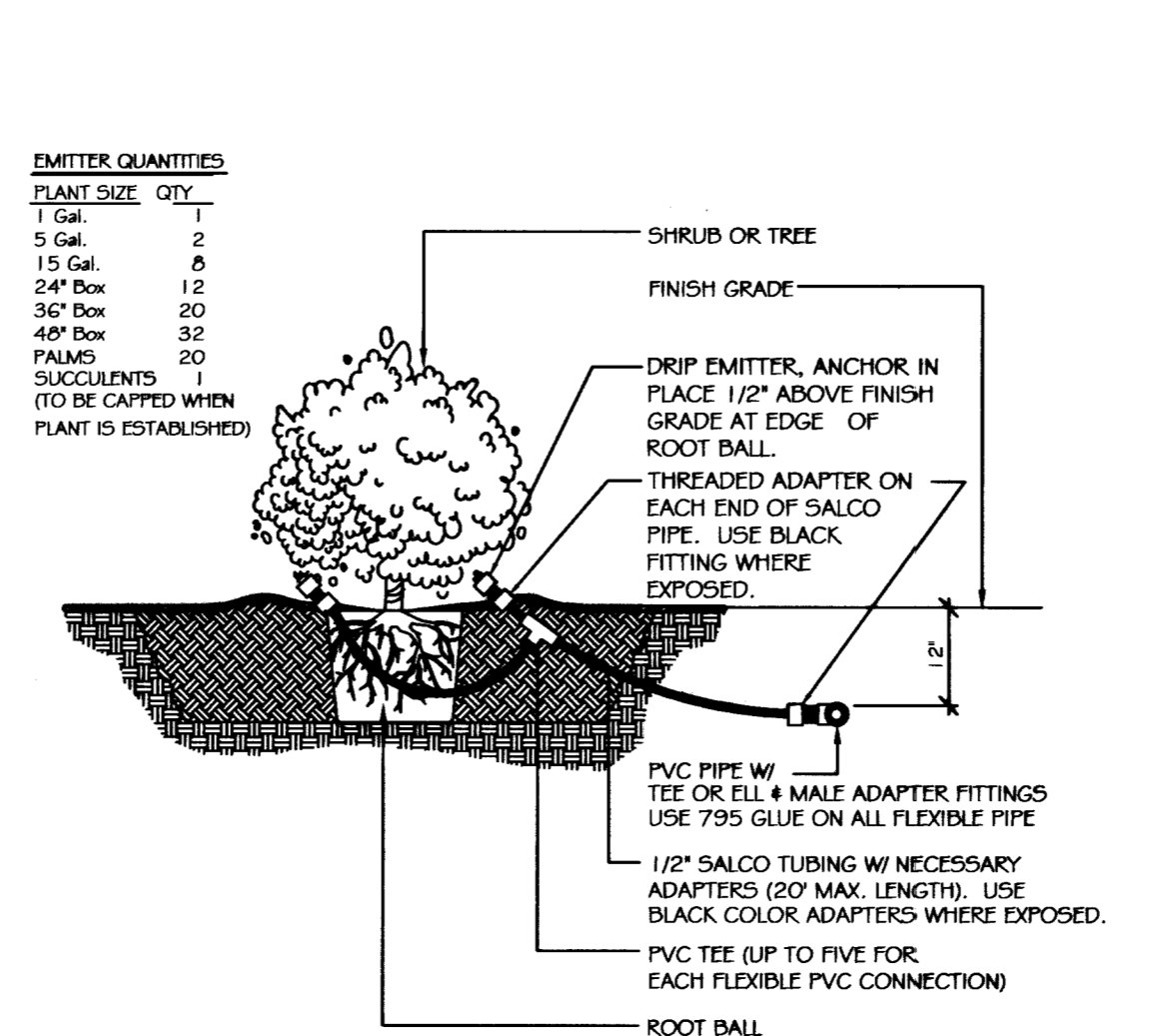
DATE
08/21/07
 JOB NO.
08-106

SHEET
L4.01

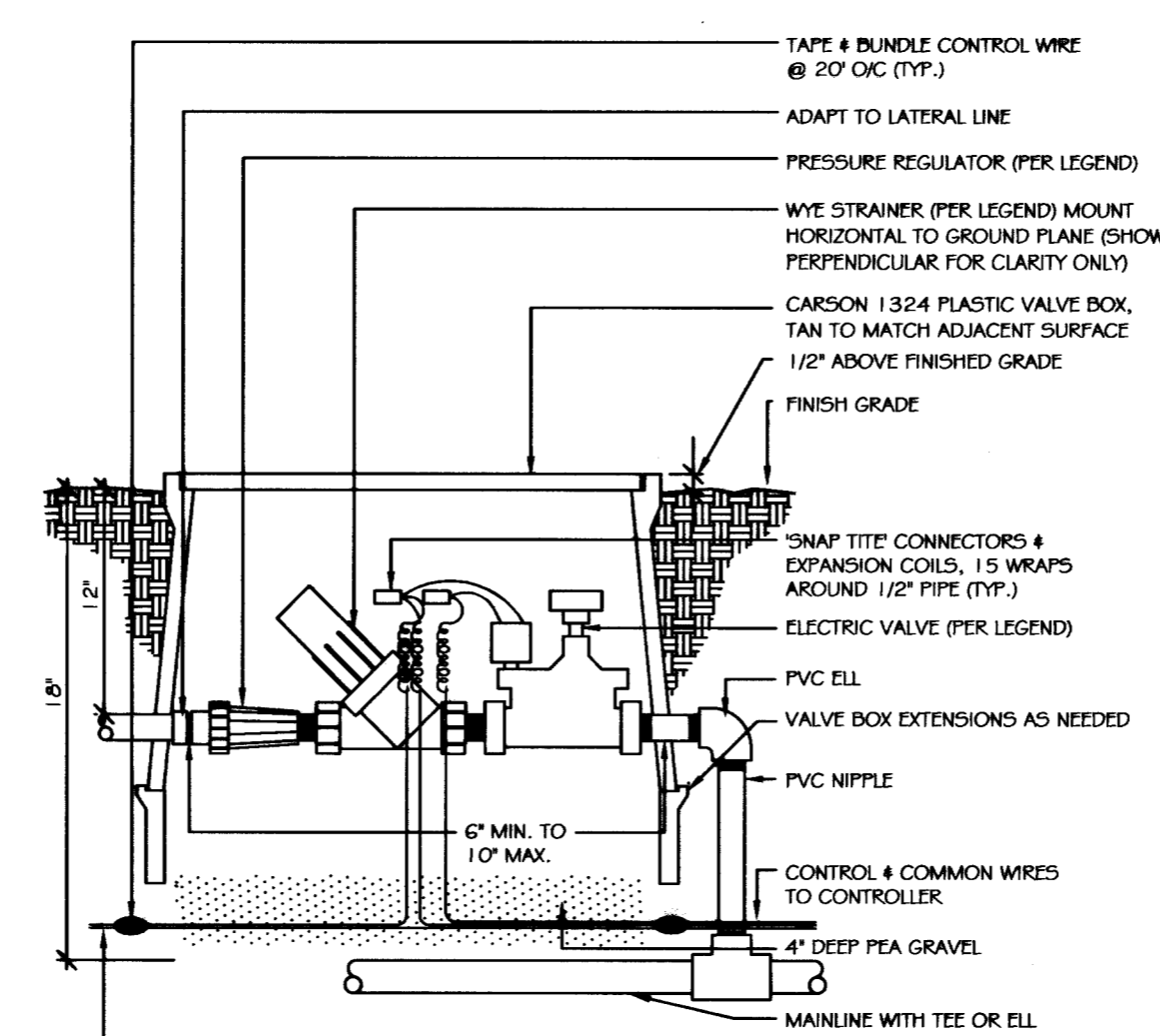
NOTES:
 1) THIS IS A SUGGESTED EMITTER LAYOUT PLAN. ACTUAL LAYOUT MAY VARY DEPENDING ON SURROUNDING FEATURES. THE INTENT IS TO PROVIDE WATER FOR FUTURE ROOT GROWTH.
 2) ADJACENT TREES AND SHRUBS MAY SHARE THE SAME EMITTER WHERE PATTERNS OVERLAP.
 3) BEGIN PLACEMENT OF EMITTERS ADJACENT TO ROOT BALL OF PLANT AND WORK OUTWARD IN ALL DIRECTIONS UNTIL THE REQUIRED NUMBER OF EMITTERS PER PLANT IS OBTAINED. WHERE LARGE PLANTS ARE INSTALLED IN NARROW PLANTERS REDUCE THE QUANTITY OF EMITTERS TO FIT THE SPACE (SEE TABLE BELOW). 5'-0" SQUARE PARKING LOT PLANTERS ONLY NEED FOUR TREE EMITTERS. KEEP ALL EMITTERS 18" FROM ANY CURB, WALK, OR OTHER PLANTER EDGE AND 36" FROM ANY BUILDING OR STRUCTURE.



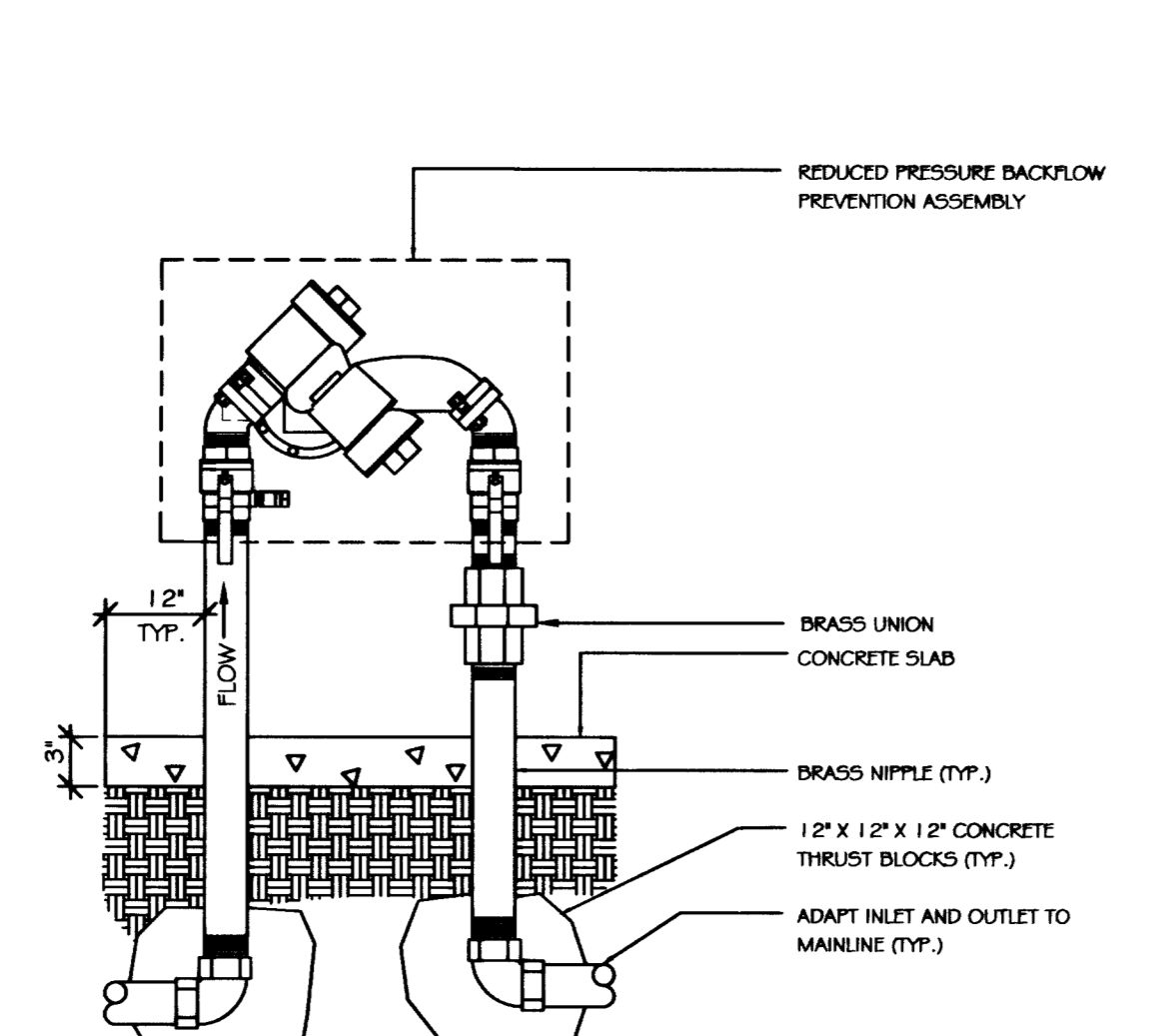
E EMITTER LAYOUT DETAIL



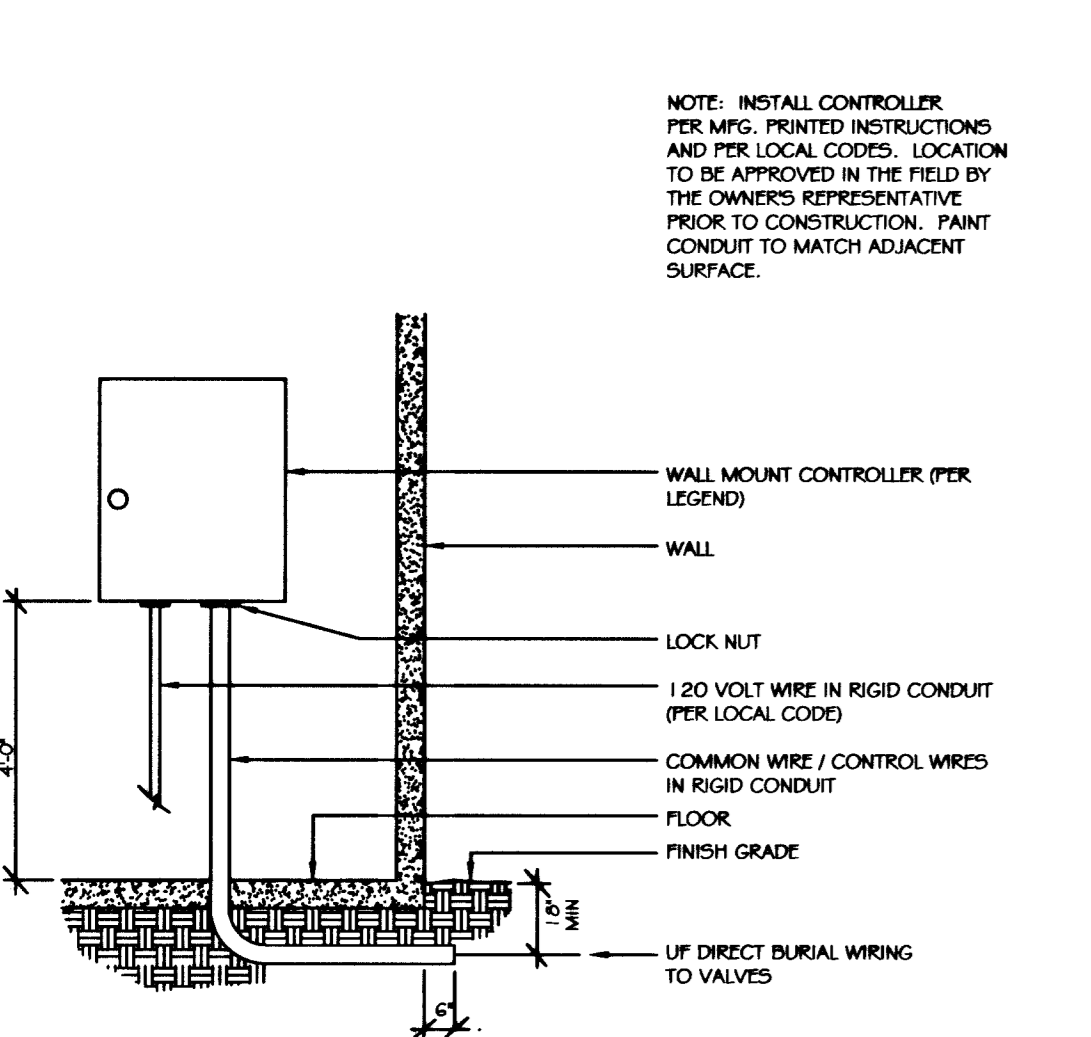
D DRIP EMITTER



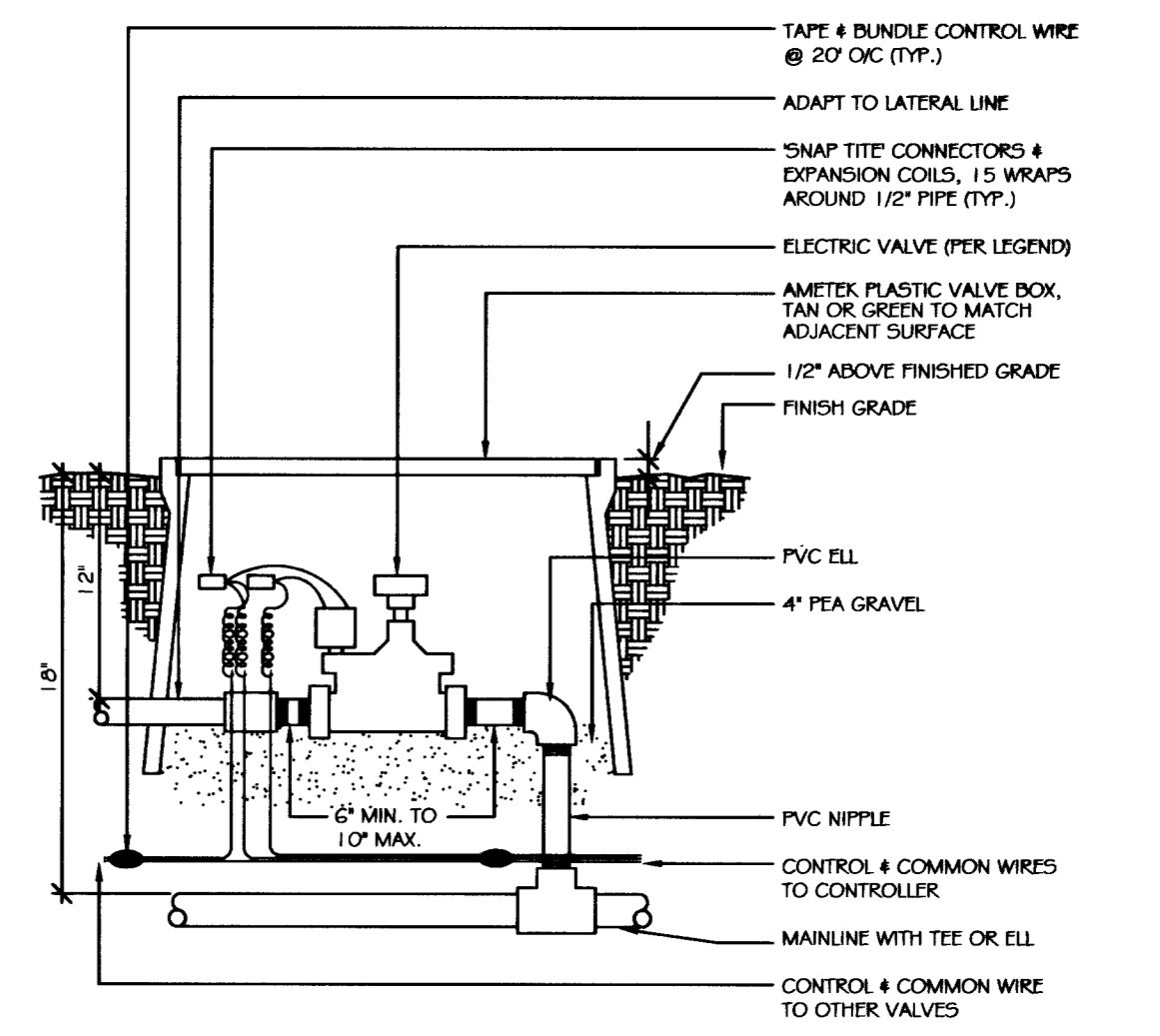
C DRIP VALVE ASSEMBLY



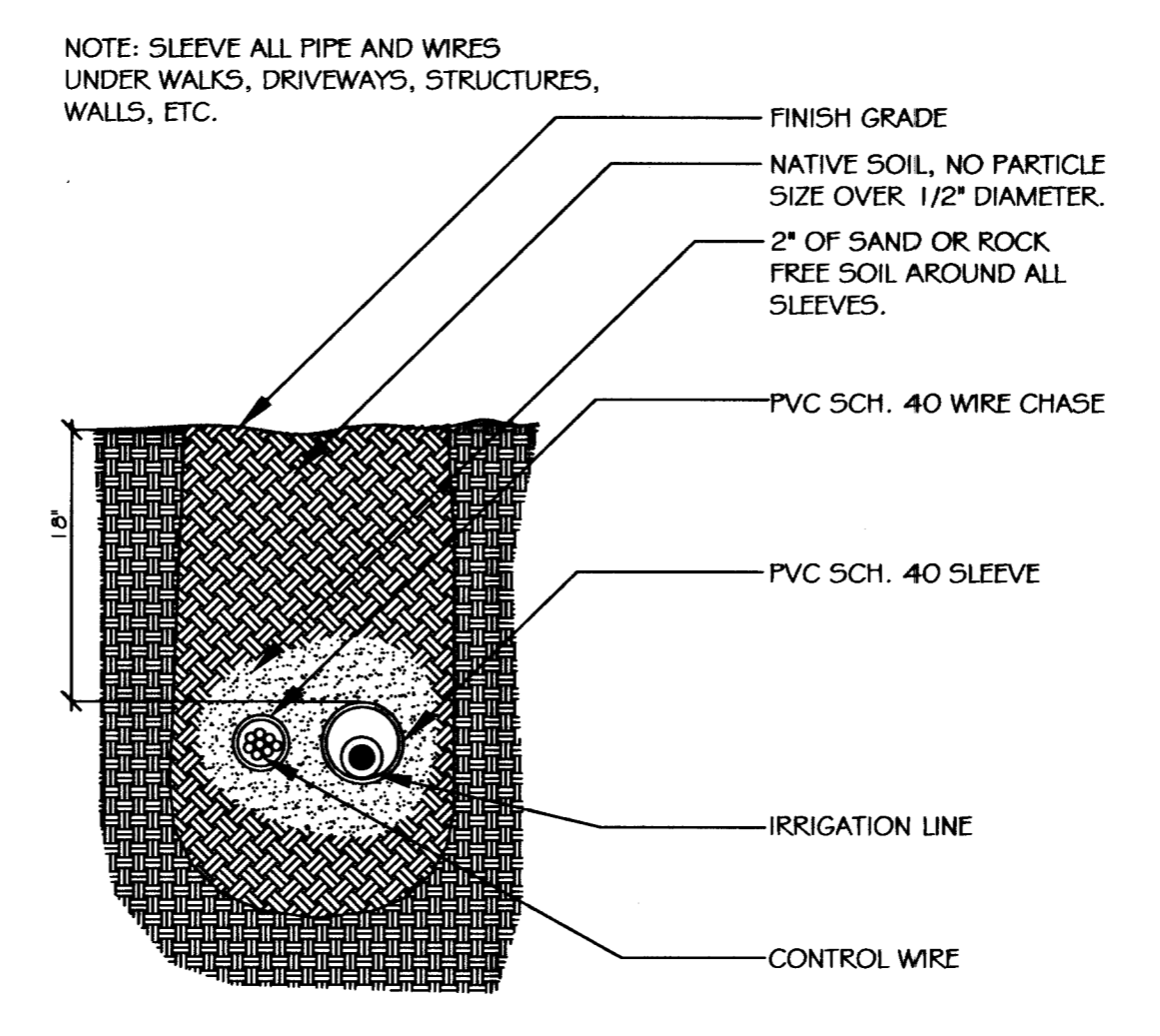
B BACKFLOW PREVENTER



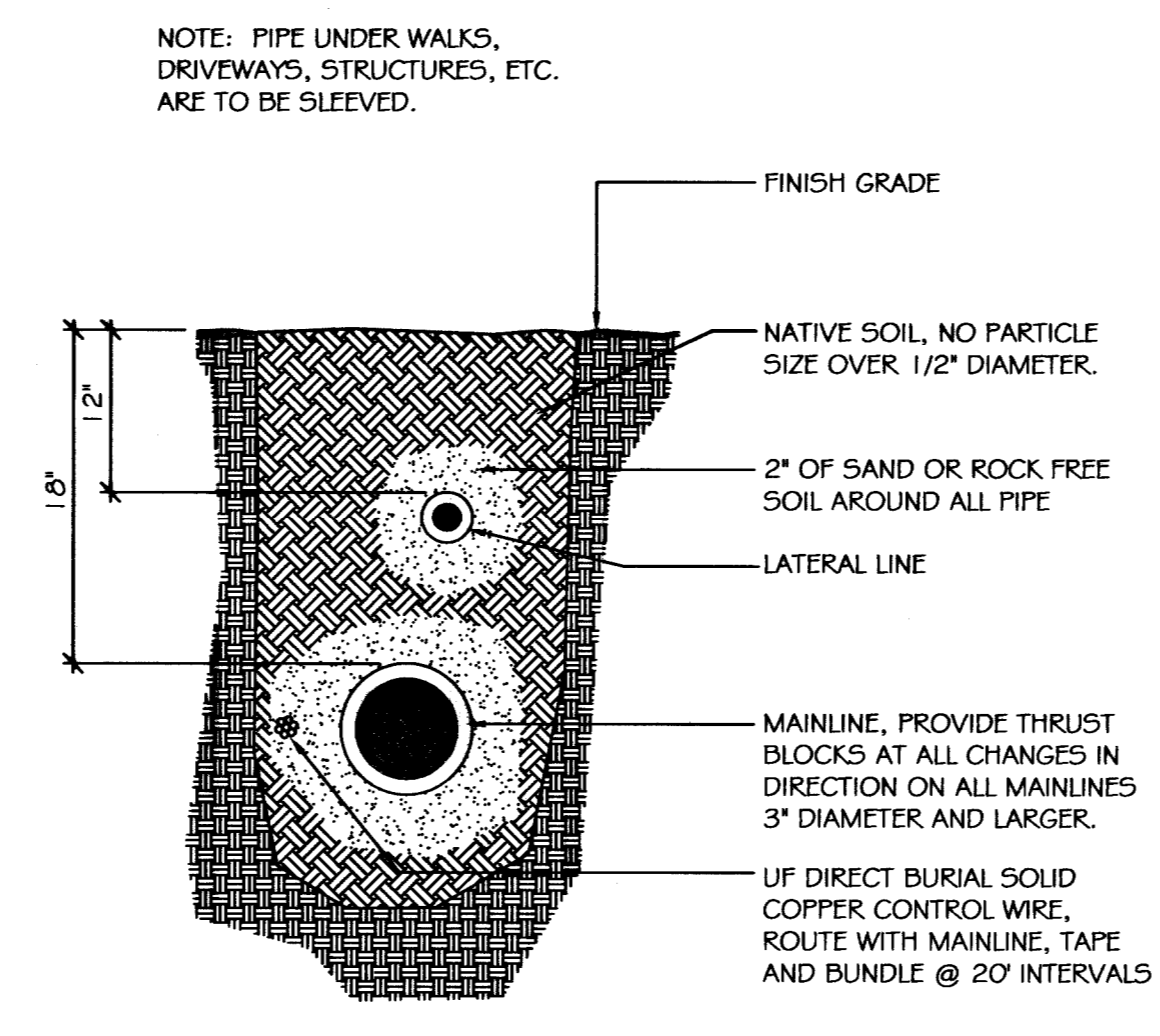
A CONTROLLER



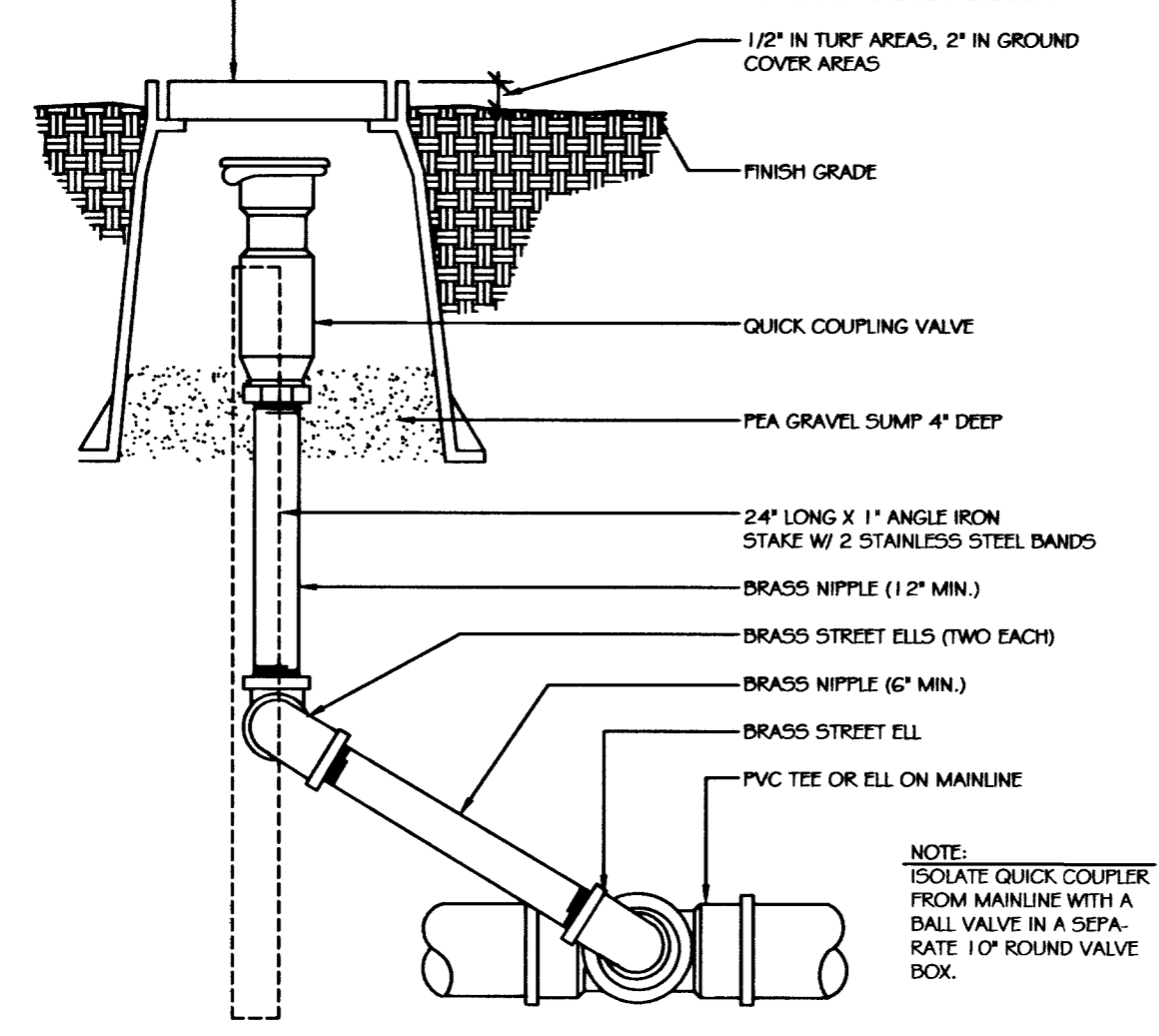
J CONTROL VALVE



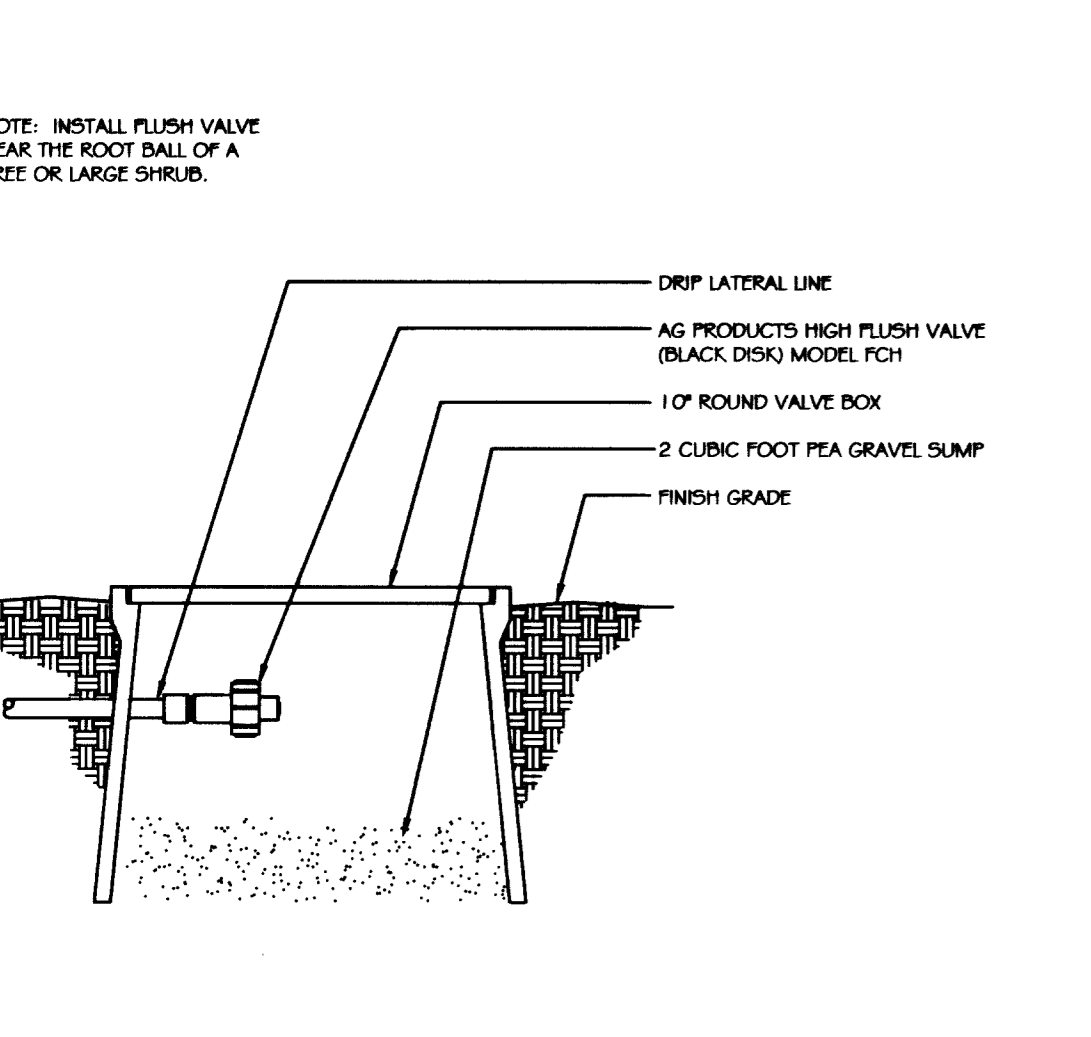
I SLEEVE SECTION



H TRENCH SECTION



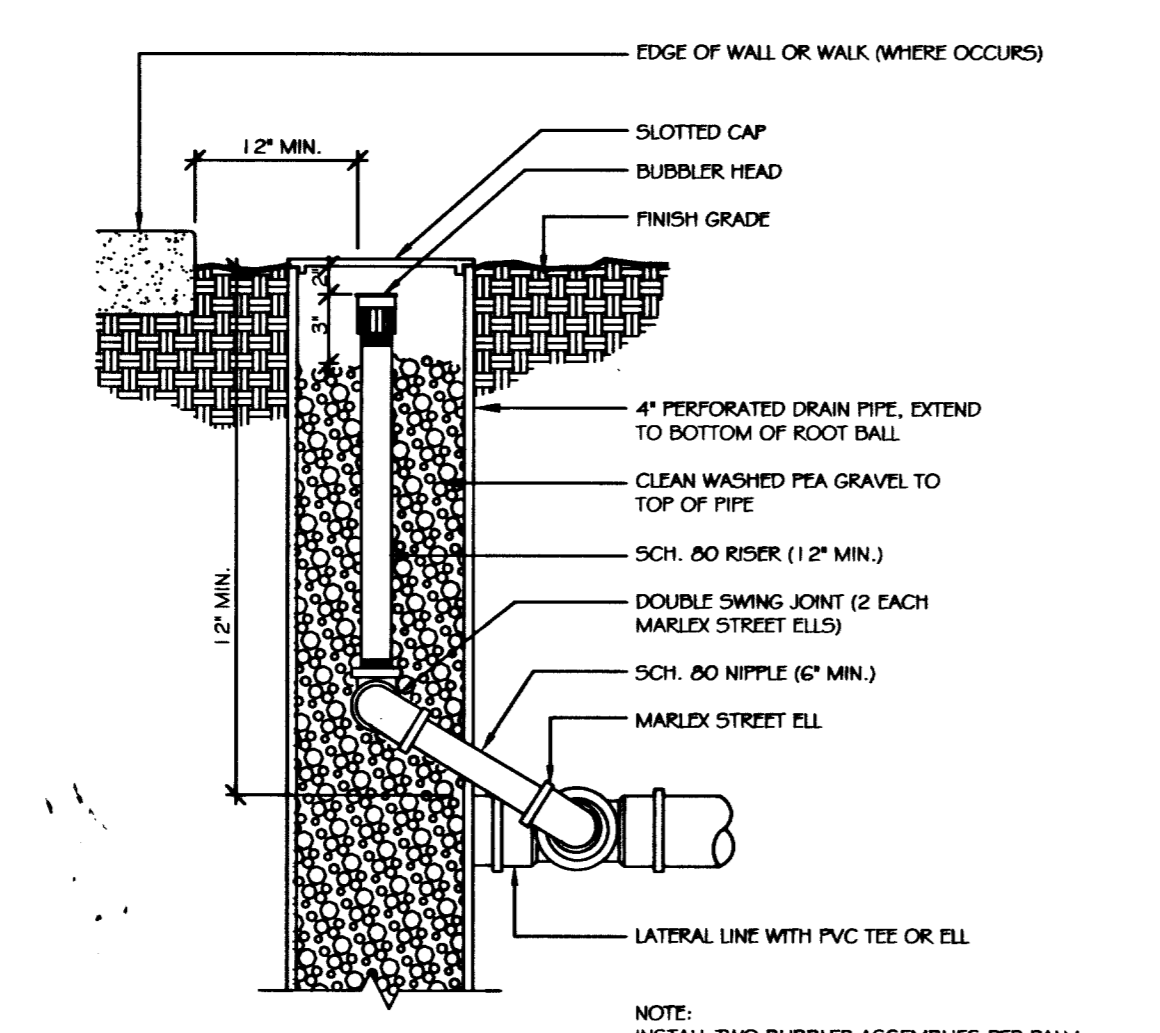
G QUICK COUPLER



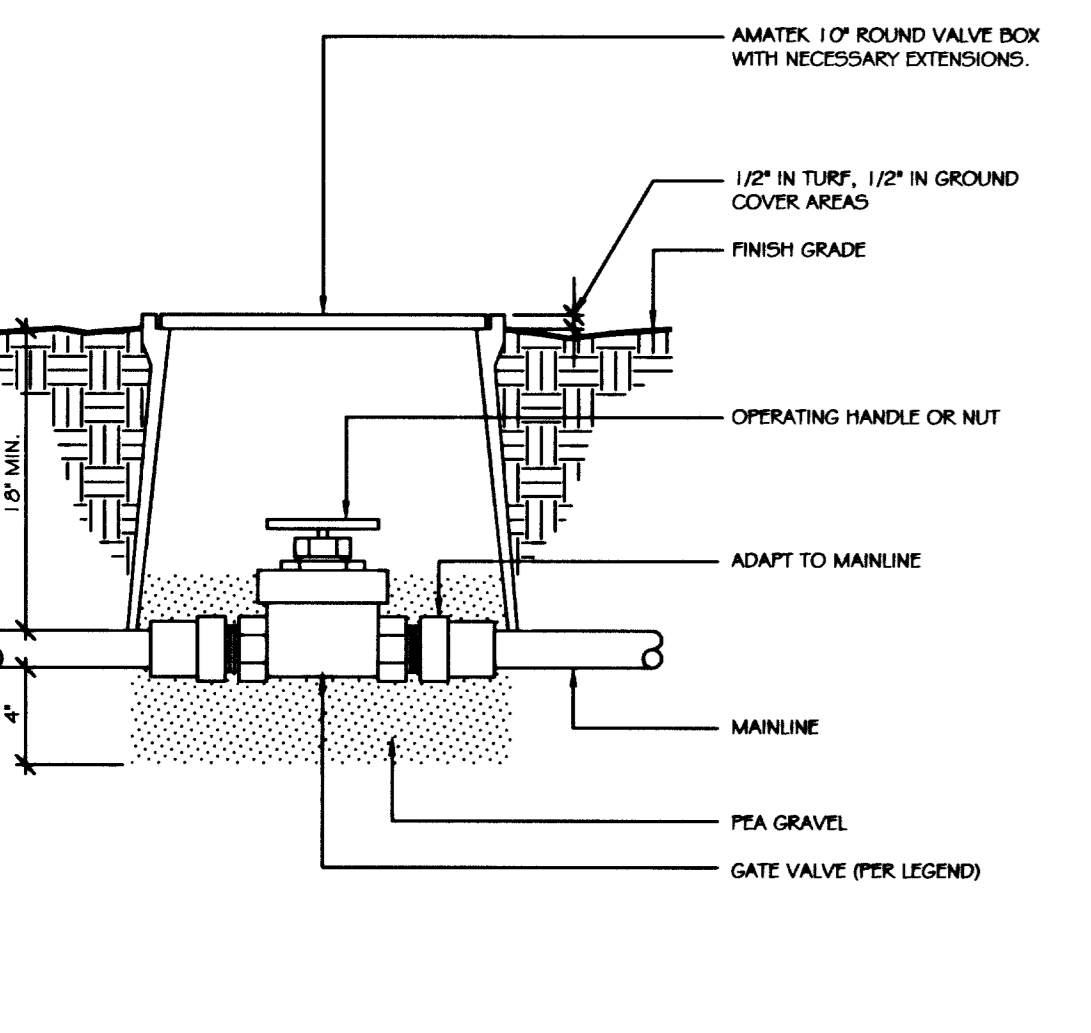
F DRIP FLUSH VALVE

SYMBOL	MANUFACTURER-MODEL NUMBER	PAT.	RD.	PS	GPM										DTRP GPH	DTL	REMARKS	
					F	T	O	T	H	T	H	T	O	T				H
NOT SHOWN	SALCO PROSPEC, PRESSURE COMP. THREADED EMITTER, PST-2	F	--	30												2.0	D,E	FOR ALL TREES
NOT SHOWN	SALCO PROSPEC, PRESSURE COMP. THREADED EMITTER, PST-1	F	--	30												1.0	D	FOR ALL SHRUBS
▽	RAIN BIRD 1402 PRESSURE COMPENSATING BUBBLER	F	--	30	.5												L	INSTALL IN TREE DRAIN PIPE
⊞	RAINBIRD ESP-BLX PLUS, 8 STATION HYBRID CONTROLLER, WALL MOUNT INSIDE ELECTRICAL ROOM PER PLAN.																A	
⊞	BACKFLOW PREVENTER: FEBCO 825YA-1\"/>																	

IRRIGATION LEGEND



L PALM BUBBLER ASSEMBLY



K GATE VALVE

CLV PLANNING AND DEVELOPMENT DEPARTMENT
 DATE: 07/06/07
 CLV TRAFFIC ENGINEERING DEPARTMENT
 DATE: 8/6/07

SHEET 15 OF 15
 CLV DWG. NUMBER: 10N/4413
 21042

104746