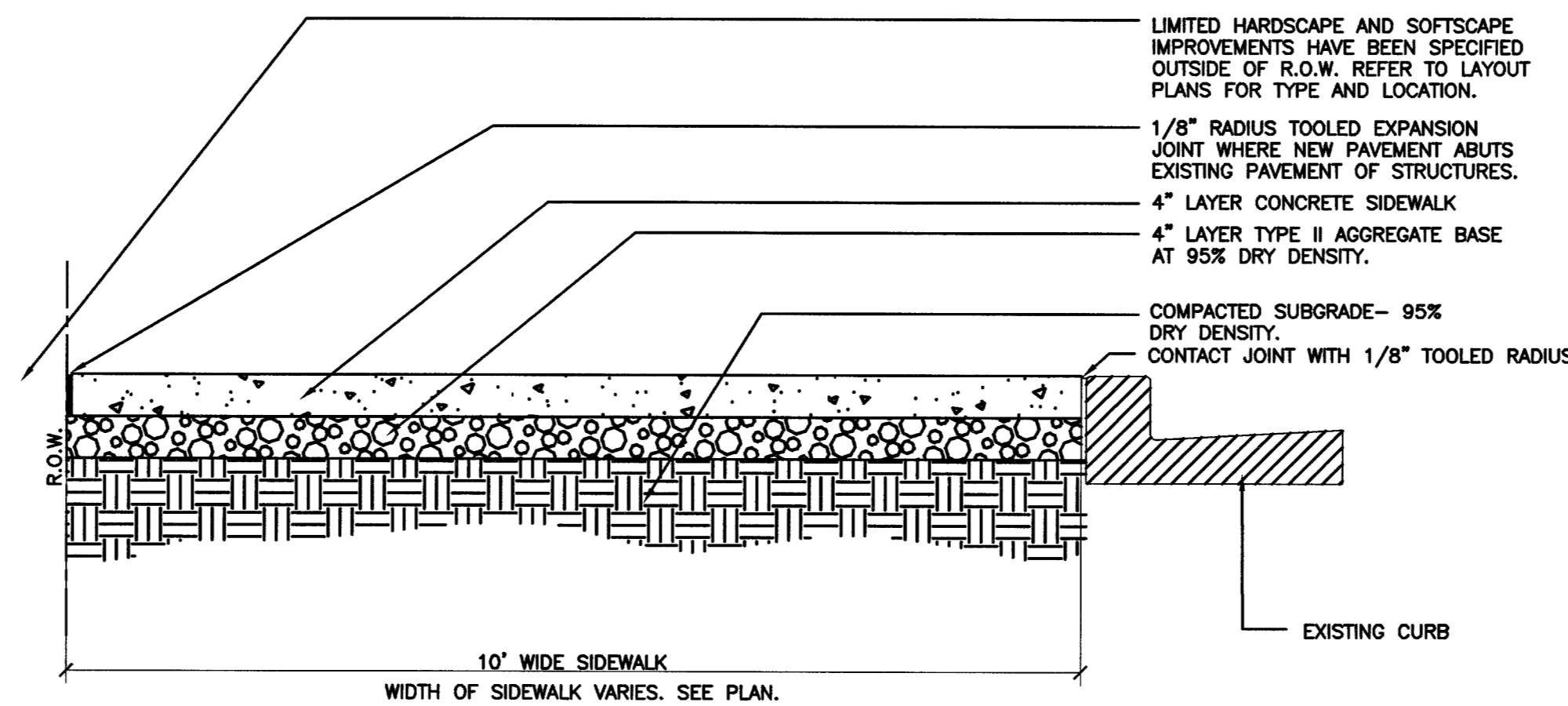
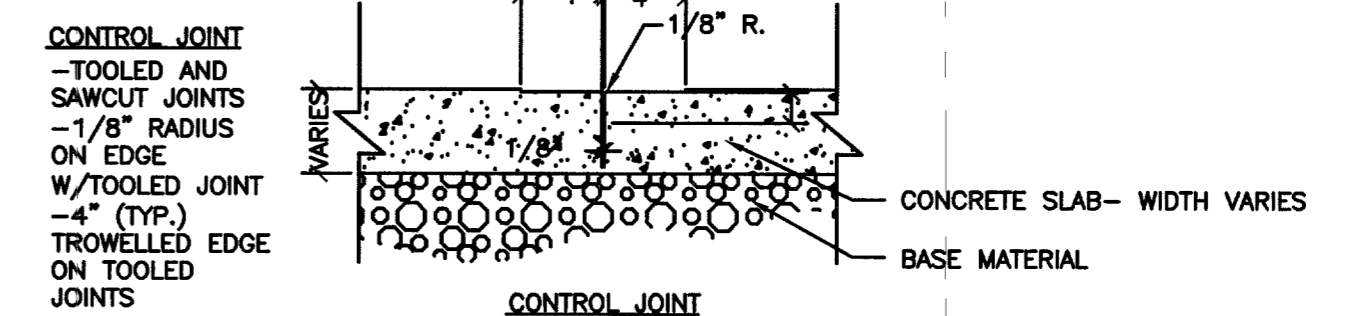
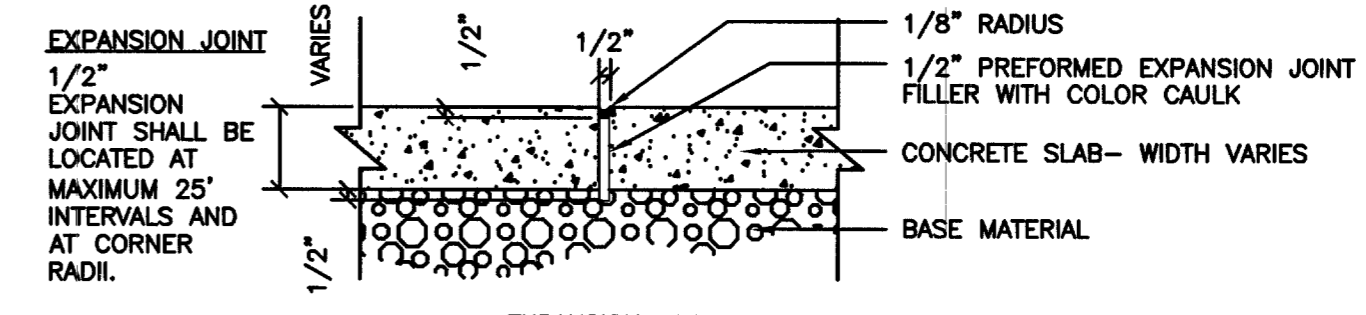


A TYPICAL SIDEWALK GRADING
BASE NTS

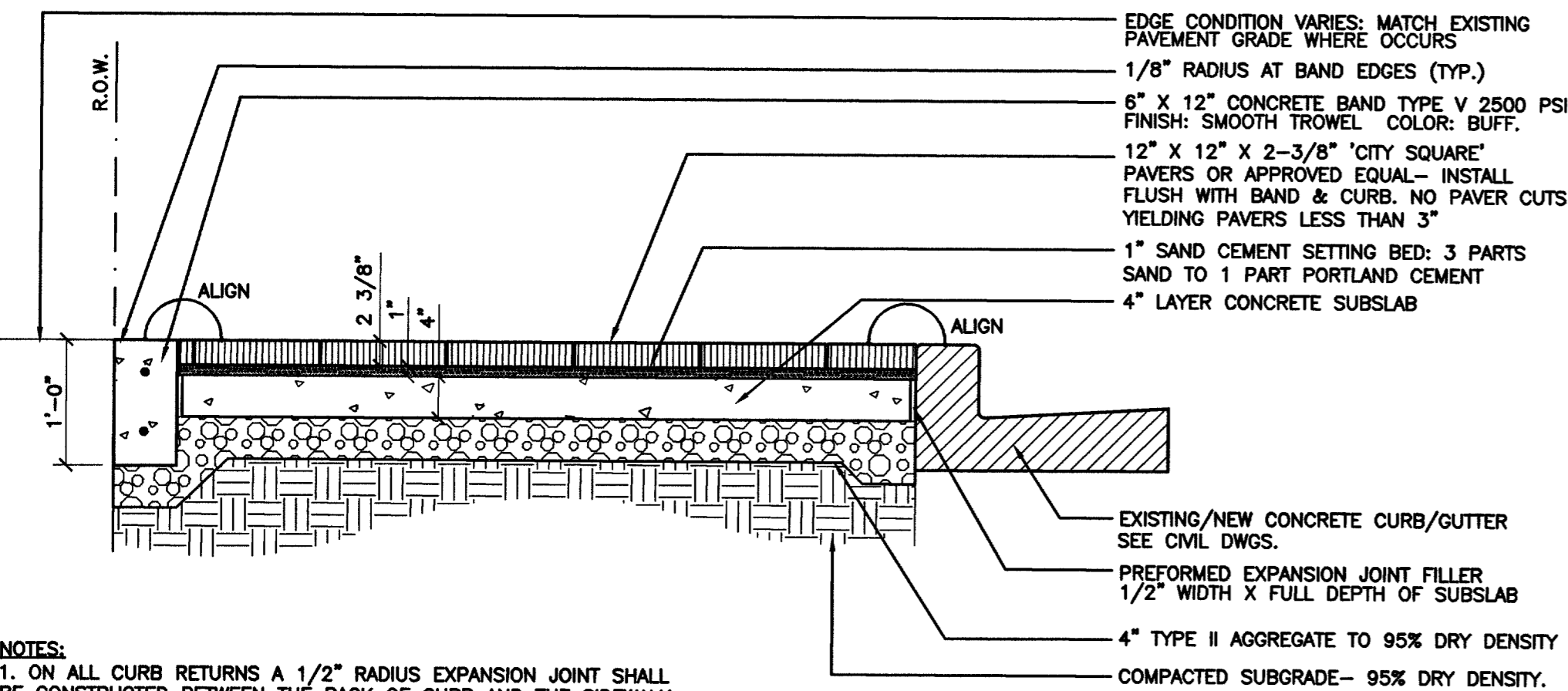


D CONCRETE SIDEWALK
BASE NTS

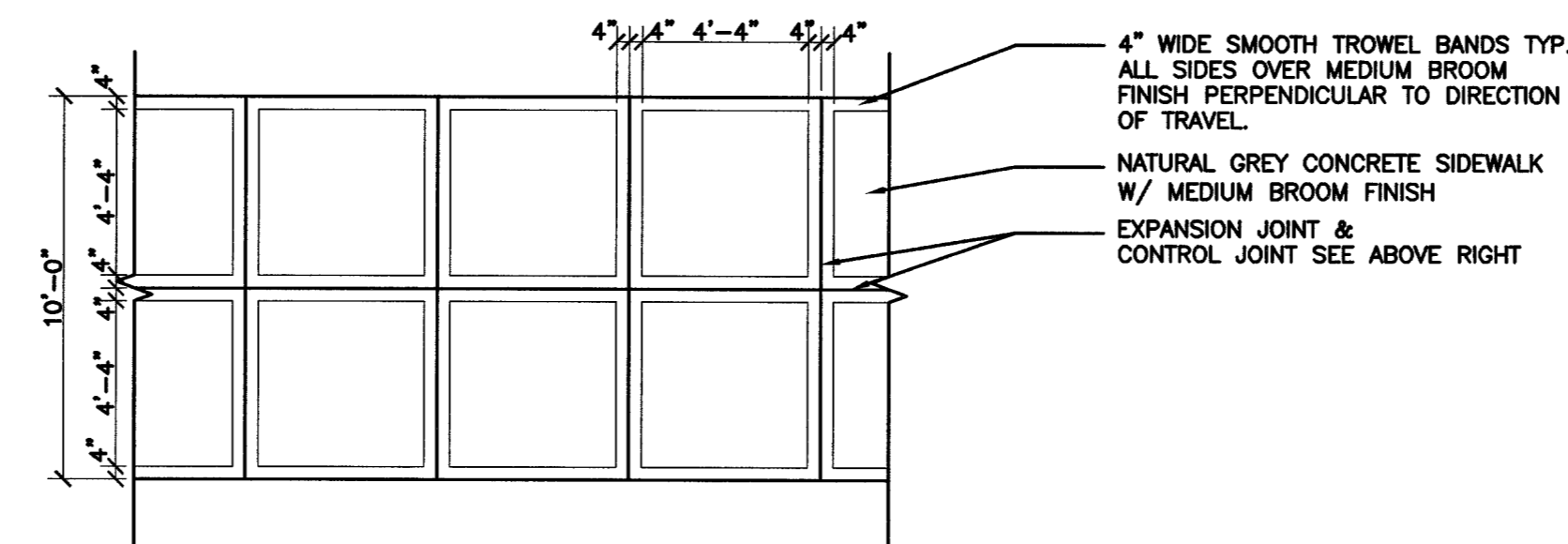


NOTES:
1. ON ALL CURB RETURNS A 1/2" EXPANSION JOINT SHALL BE CONSTRUCTED BETWEEN THE BACK OF CURB AND THE SIDEWALK FOR THE ENTIRE LENGTH OF THE RETURN.
2. LONGITUDINAL WEAKENED PLANE JOINT (CONTROL JOINT) REQUIRED AT MIDPOINT OF SIDEWALK 10' OR WIDER.
3. LITHOCHROME COLORCAULK SEALANT BY LM SCHOFIELD OR EQUAL. COLOR TO MATCH ADJACENT PAVEMENT.

F EXPANSION & CONTROL JOINT
BASE NTS

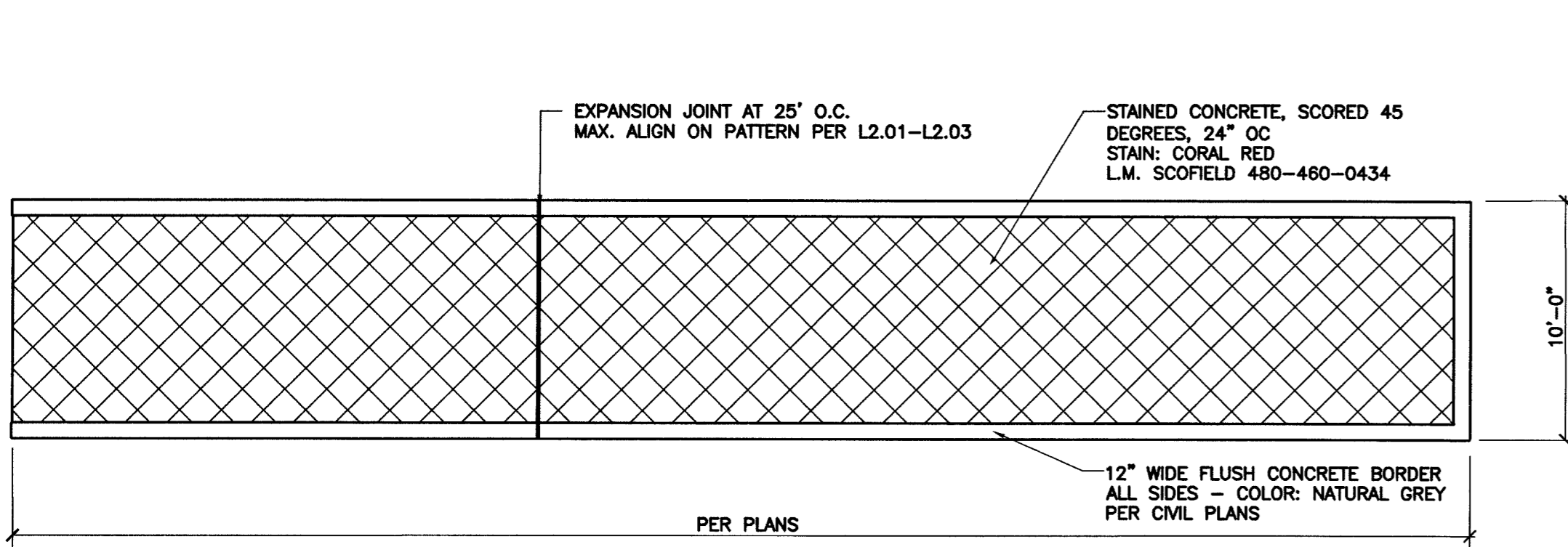


B TYPICAL CITY PAVER DETAIL
BASE NTS

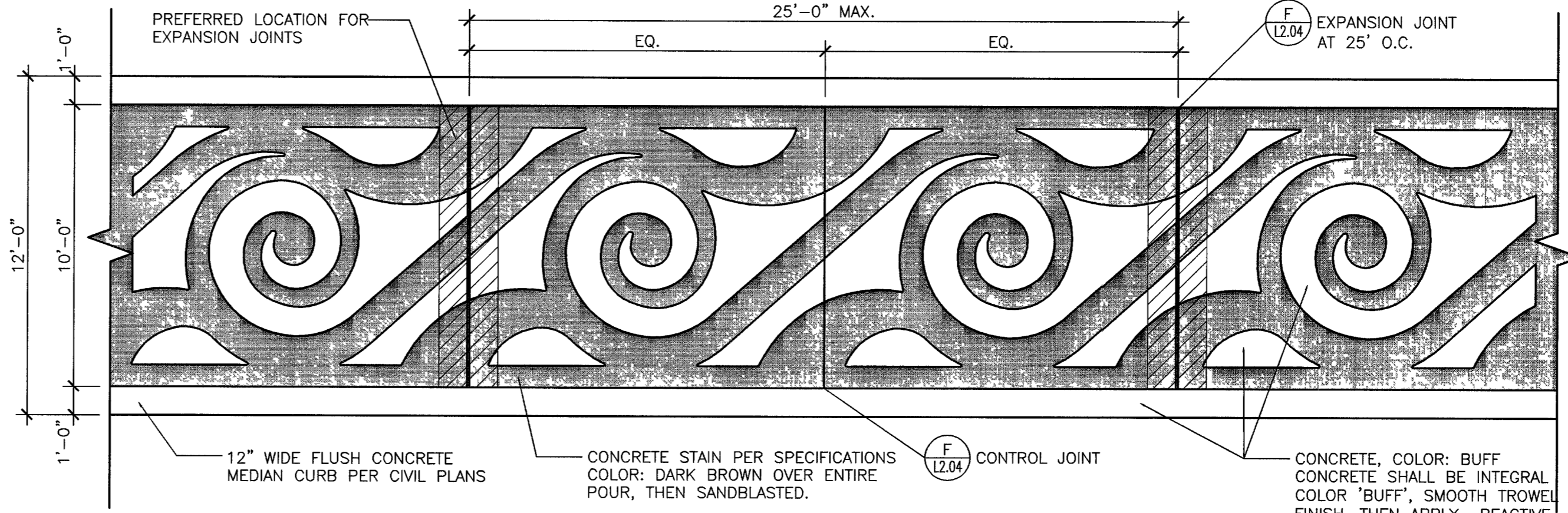


D CONCRETE SIDEWALK
BASE NTS

NOTES:
1. ON ALL CURB RETURNS A 1/2" RADIUS EXPANSION JOINT SHALL BE CONSTRUCTED BETWEEN THE BACK OF CURB AND THE SIDEWALK.
2. SAND SWEEP ALL JOINTS- JOINTS BETWEEN PAVERS NOT TO EXCEED 18".



C CONCRETE CROSSWALK WITH SAWCUT PATTERNING
BASE NTS

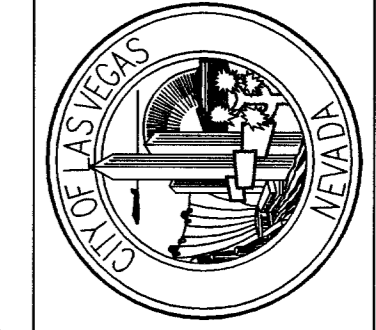


E 6" THK. CONCRETE PAVING W/ DECORATIVE PATTERN
BASE NTS

CONCRETE, COLOR: BUFF
CONCRETE SHALL BE INTEGRAL COLOR 'BUFF', SMOOTH TROWEL FINISH, THEN APPLY REACTIVE CONCRETE STAIN (COLOR: BLACK) TO A DEPTH OF 1/8". APPLY TEMPLATE AND SANDBLAST OPEN AREAS TO A DEPTH OF 3/32" TO EXPOSE BUFF COLOR CONCRETE BELOW.

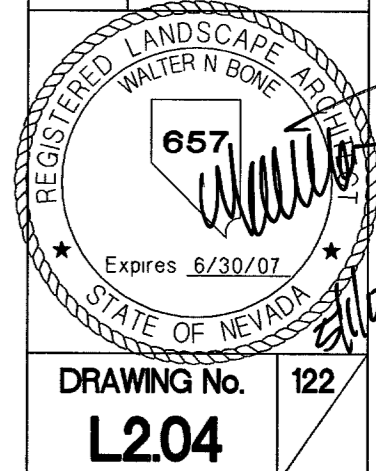
DATE	REVISIONS

PROJECT #	07/14/782
SCALE (V):	N/A
DATE	09-08-06
DESIGN BY:	WNB/TT
SCALE:	NTS
F.L.D. BK #	N/A



poggemeyer
engineers • planners • architects • interior designers • landscape architects
2007 North Tropic Way • Las Vegas, NV 89128 • P: 702.258.8100 • F: 702.258.8375

DEPARTMENT OF PUBLIC WORKS
LAS VEGAS RESORT CORRIDOR FIXED GUIDEWAY
GRAND CENTRAL PARKWAY
HARDSCAPE DETAILS



Expires 8/30/07
DRAWING No. **L204**

Call before you Dig
1-702-455-7511
1-702-455-5300

Call before you Dig
1-702-227-2929
1-800-227-2600

Call before you Dig
1-800-227-2600

102238

107V 4782