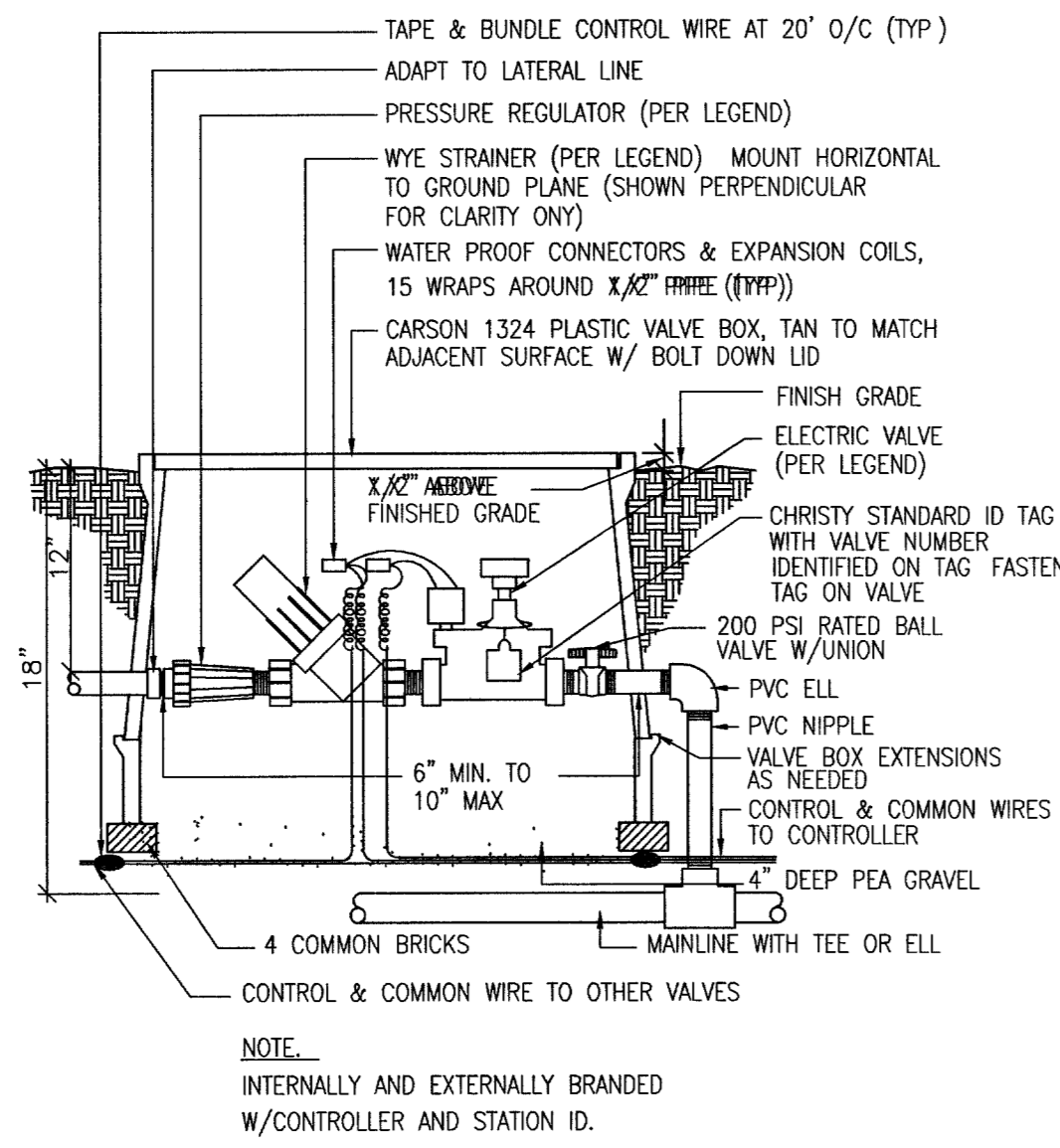


**A NOT USED**  
BASE NTS

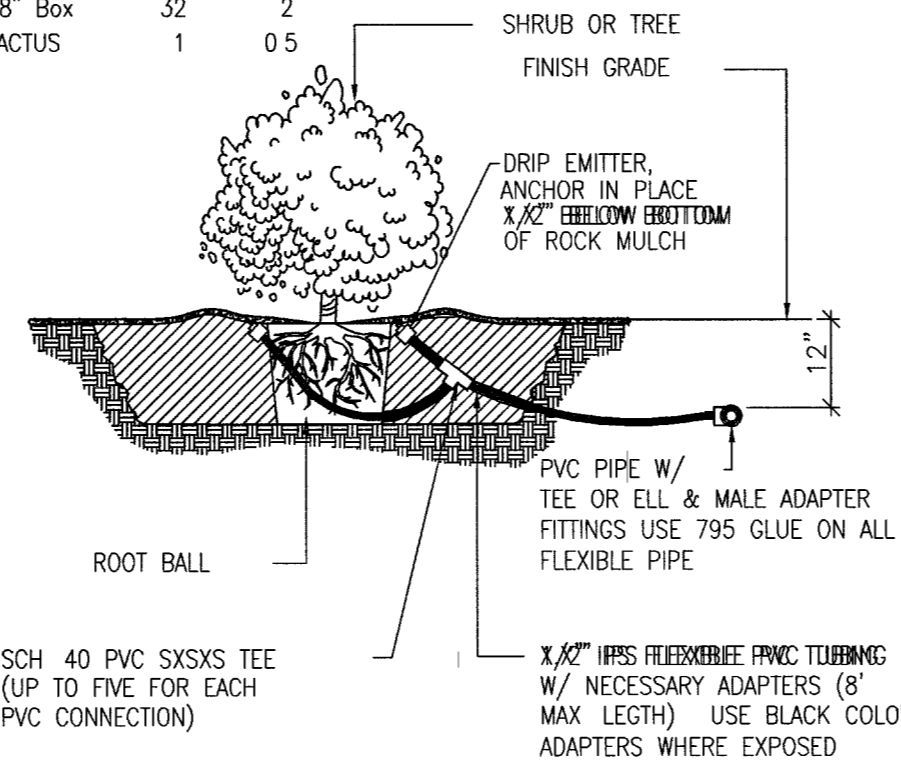


**B DRIP VALVE ASSEMBLY**  
BASE NTS

**EMITTER QUANTITIES**

PLANT SIZE	QTY	GPH
1 Gal	1	1
5 Gal	2	1
15 Gal	8	2
24" Box	12	2
36" Box	20	2
48" Box	32	2
CACTUS	1	0.5

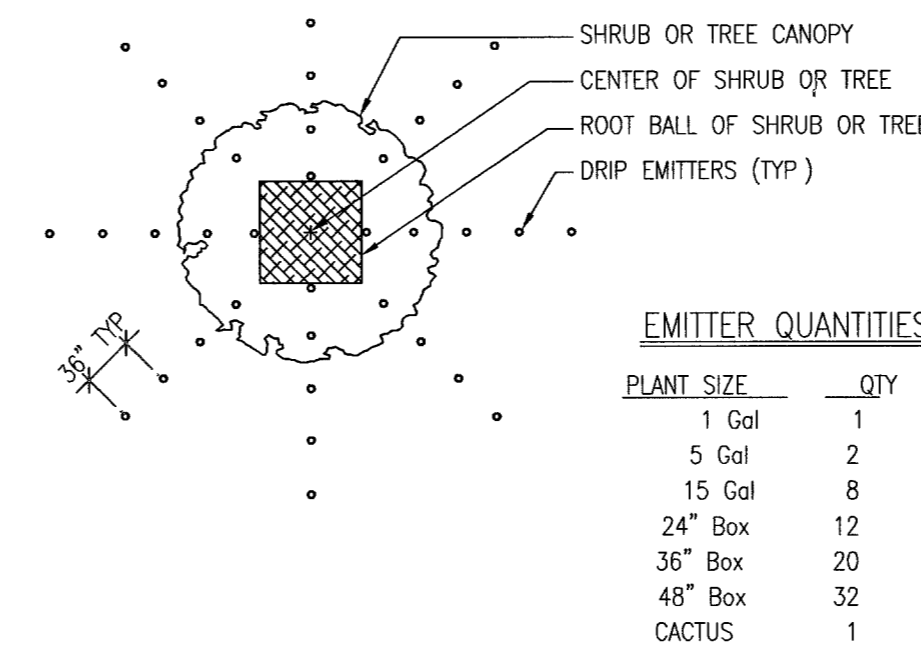
NOTE: SEE DETAIL D, SHEET L5.3 FOR EMITTER PLACEMENT ON A SLOPE



**C DRIP EMITTER**  
BASE NTS

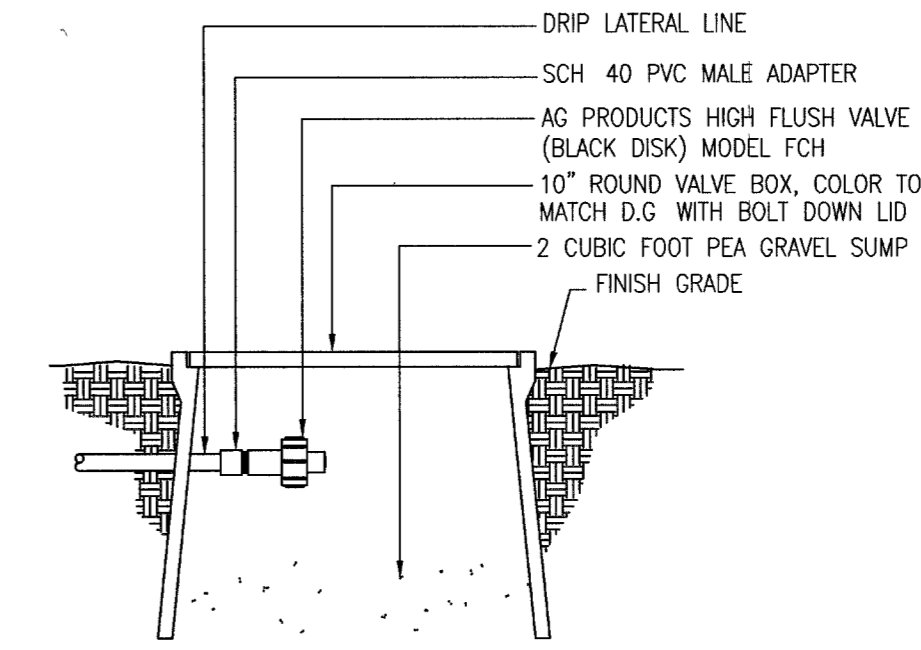
**NOTES:**

- THIS IS A SUGGESTED EMITTER LAYOUT PLAN. ACTUAL LAYOUT MAY VARY DEPENDING ON SURROUNDING FEATURES. THE INTENT IS TO PROVIDE WATER FOR FUTURE ROOT GROWTH.
- BEGIN PLACEMENT OF EMITTERS ADJACENT TO ROOT BALL OF PLANT AND WORK OUTWARD IN ALL DIRECTIONS UNTIL THE REQUIRED NUMBER OF EMITTERS PER PLANT IS OBTAINED.

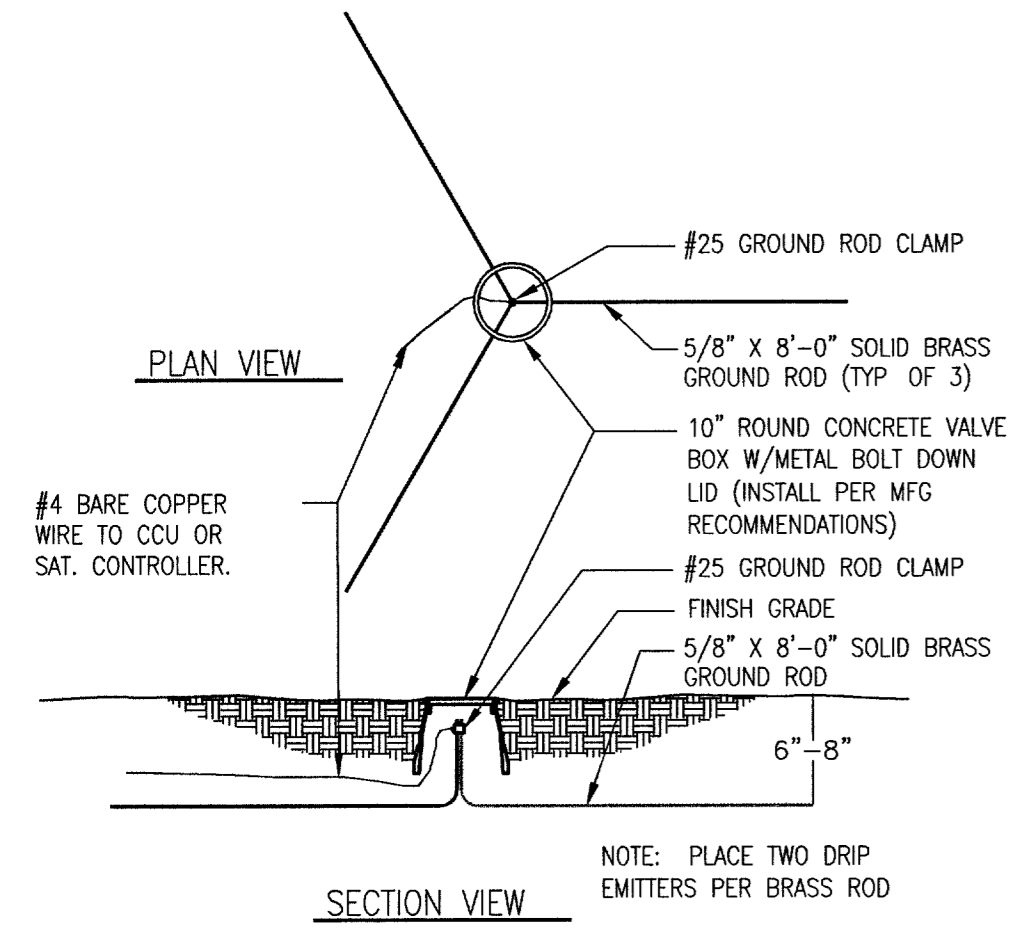


**D EMITTER LAYOUT DETAIL**  
BASE NTS

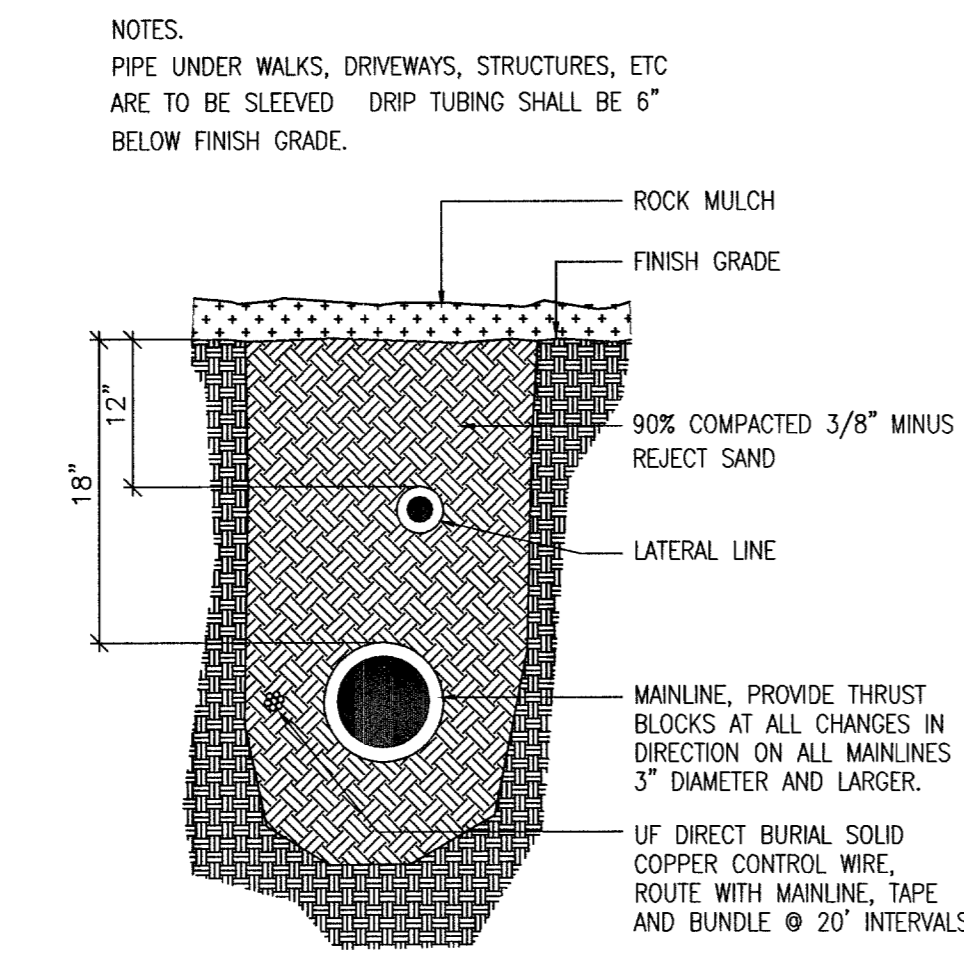
NOTE: INSTALL FLUSH VALVE NEAR THE ROOT BALL OF A TREE OR LARGE SHRUB



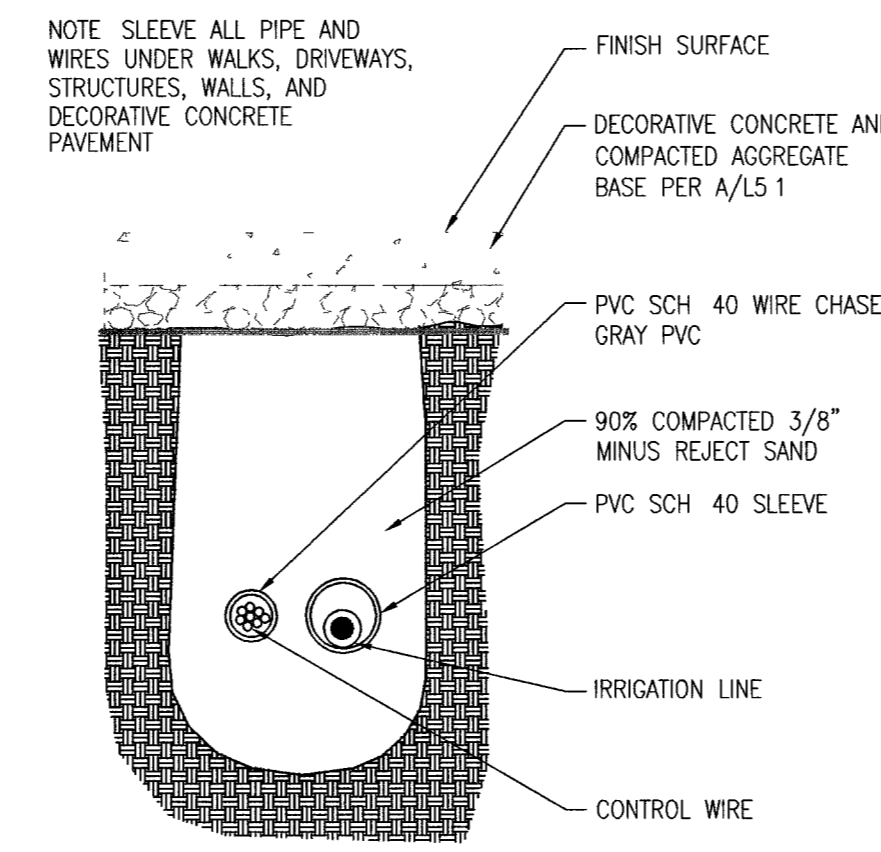
**E DRIP FLUSH VALVE**  
BASE NTS



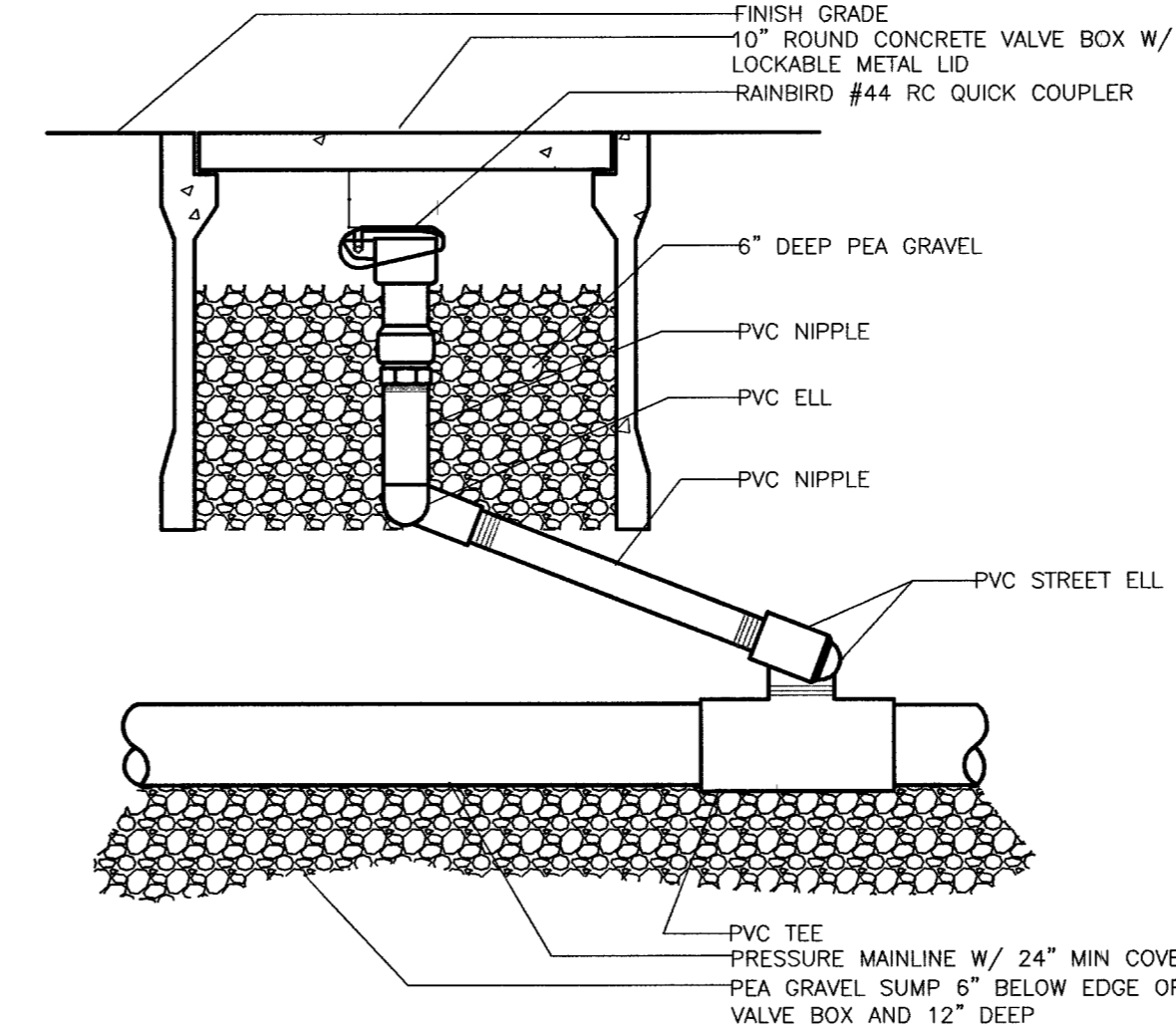
**F GROUNDING ROD DETAIL**  
BASE NTS



**G TRENCH SECTION IN MEDIANS**  
BASE NTS

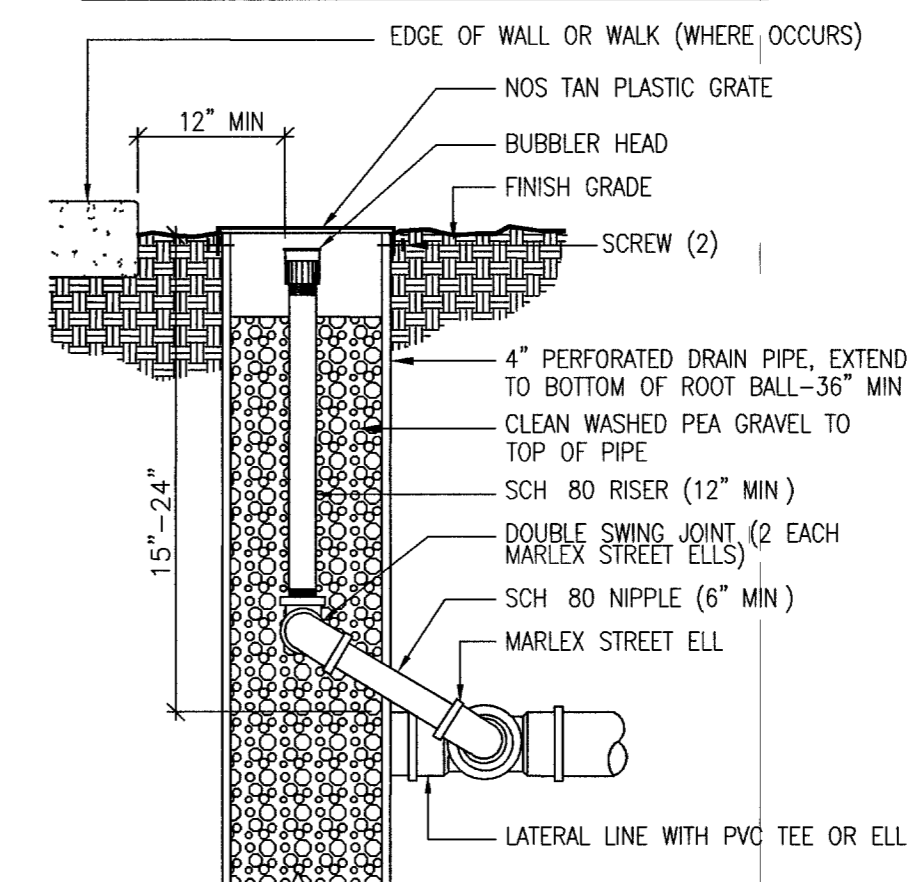


**H SLEEVING AT DECORATIVE CONCRETE**  
BASE NTS

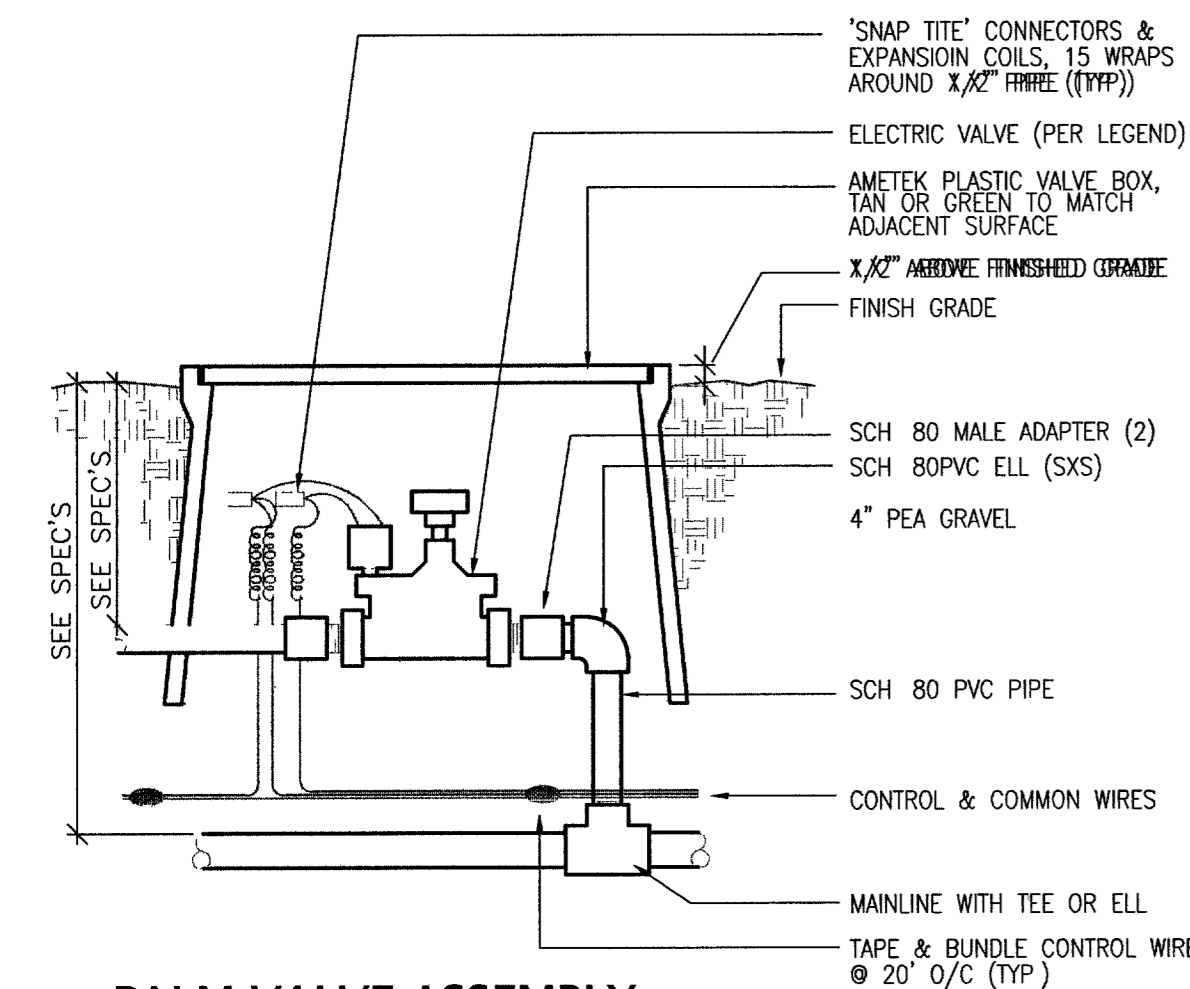


**I QUICK COUPLER**  
BASE NTS

THREE BUBBLERS AT EACH PALM TREE EQUALLY SPACED AROUND AT 12" FROM TRUNK  
RAINBIRD MODEL #1401 MAY BE SUBSTITUTED



**J PALM BUBBLER**  
BASE NTS



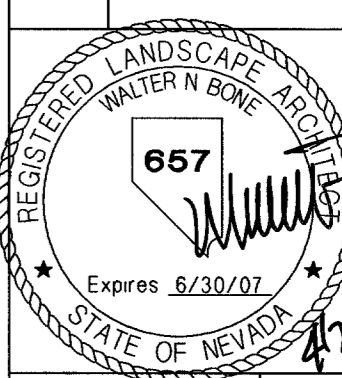
**K PALM VALVE ASSEMBLY**  
BASE NTS

NOTE: IRRIGATION SLEEVING SHALL BE INSTALLED EVERY 250' CONNECTING ALL MEDIANS AND RIGHTS-OF-WAY ALONG THE ENTIRE EAST SIDE OF THIS PROJECT INCLUDING WHERE TEMPORARY CURBS AND ROCK MULCH OCCUR.

GENERAL IRRIGATION WIRING NOTE:  
WIRES SHALL BE COLOR CODED FOR EACH VALVE W/TWO SPARE CONDUCTORS AND ONE SPARE COMMON WIRE IN EVERY LEG.

**poggemeyer**  
design group, inc.  
2005 North Tropic Way, Suite 100, Las Vegas, NV 89128 • P: 702.255.8200 • F: 702.255.8275

DEPARTMENT OF PUBLIC WORKS  
LAS VEGAS RESORT CORRIDOR FIXED GUIDEWAY  
GRAND CENTRAL PARKWAY  
IRRIGATION DETAILS



DRAWING No. 141  
L4.08

Call before you Dig  
Call before you Dig  
Call before you Dig  
1-702-453-7511  
1-702-453-5300  
1-702-453-5300  
1-702-227-2929  
1-800-227-2800

102258

102258