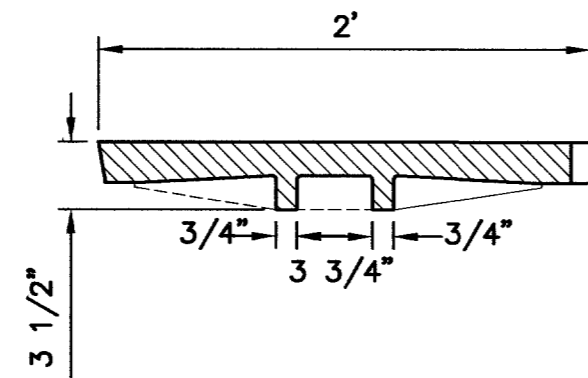
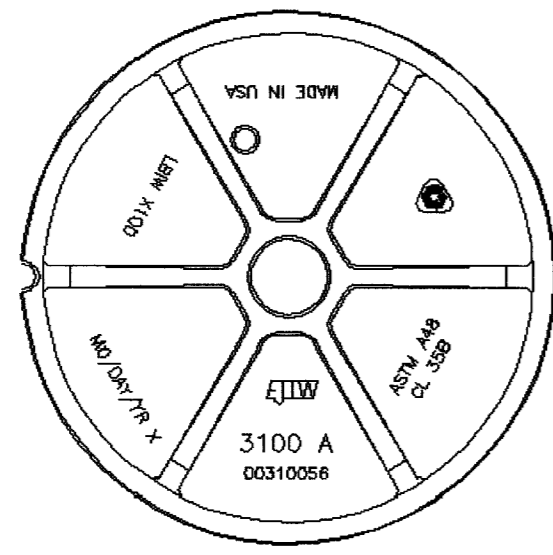
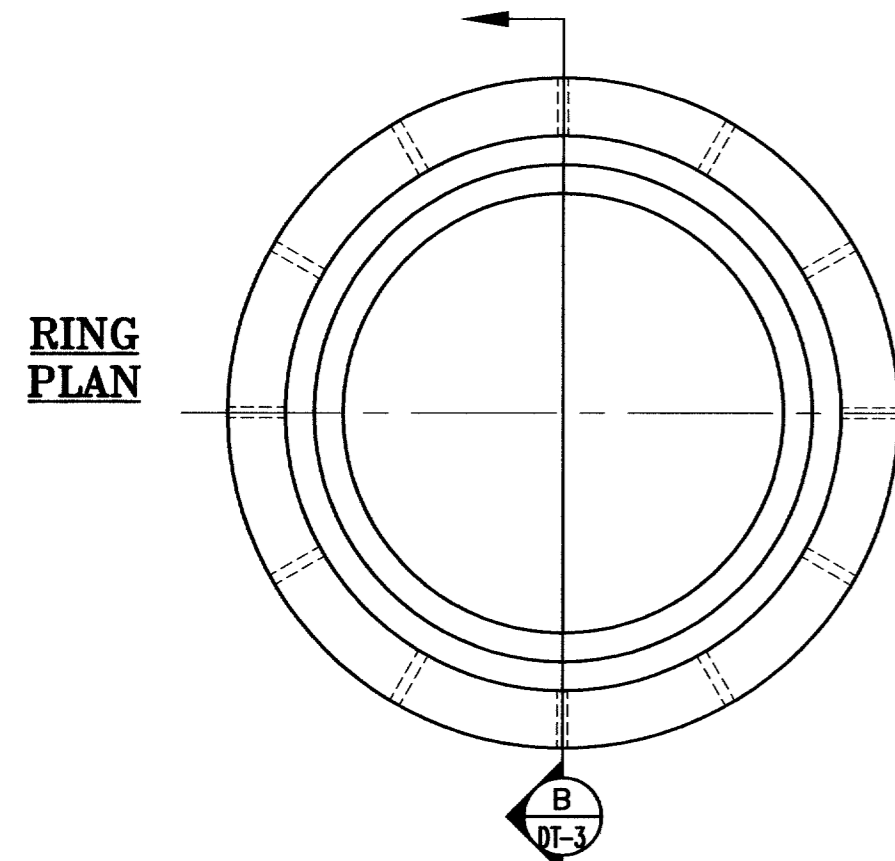




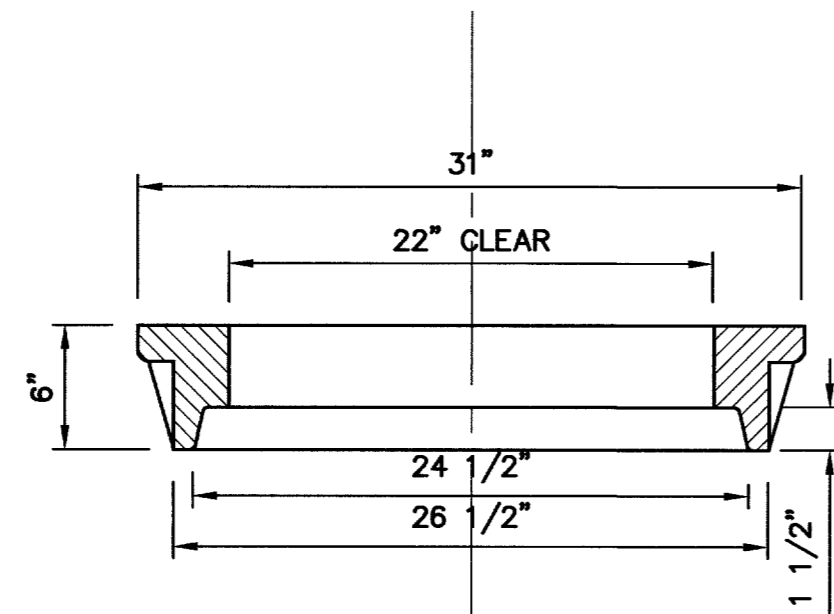
24" MANHOLE COVER
PLAN VIEW



SECTION A



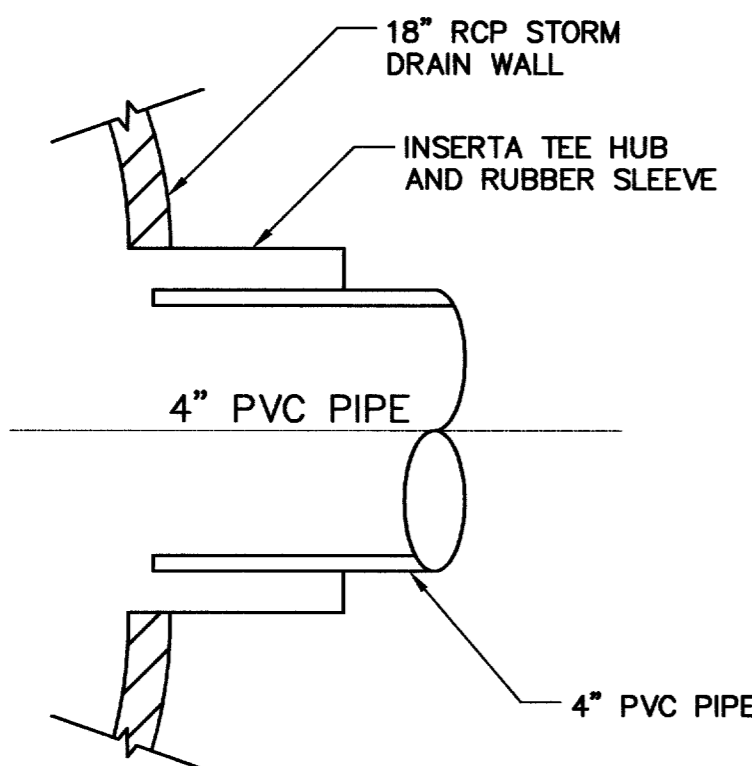
RING PLAN



SECTION B

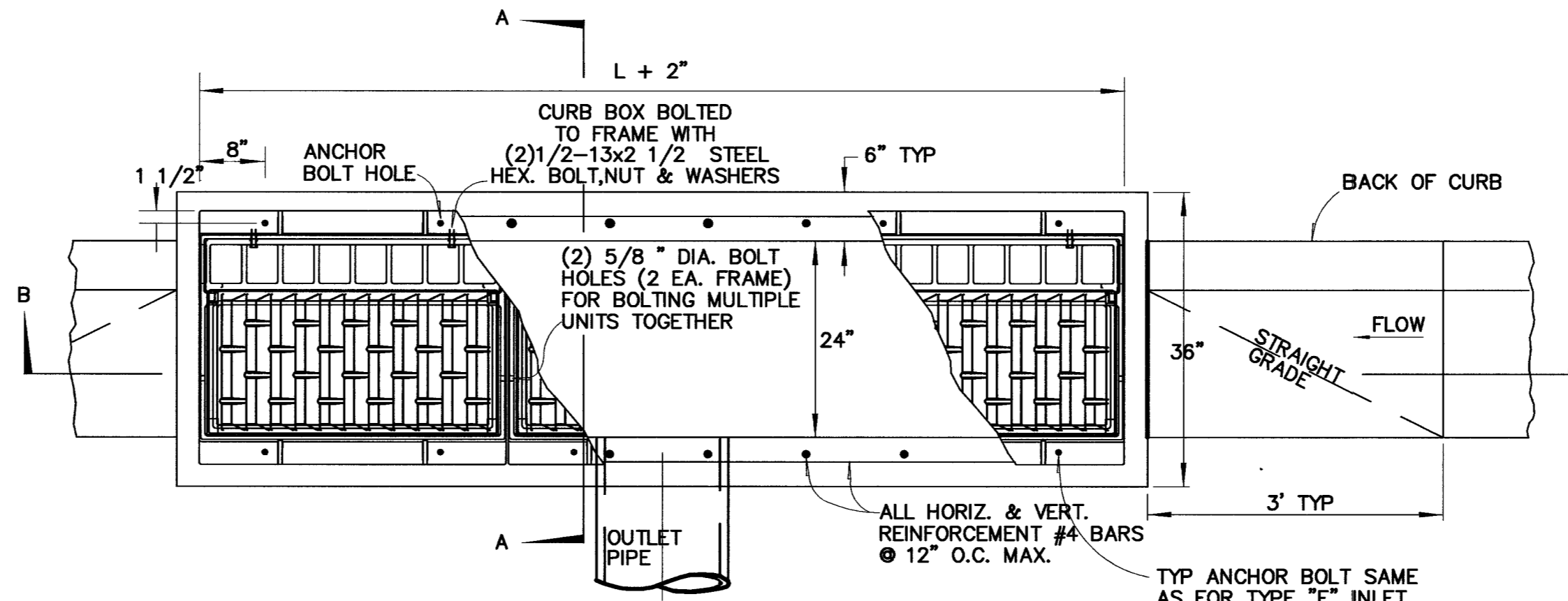
MANHOLE RING AND COVER DETAIL
N.T.S.

NOTE:
SEE SD SHEET.

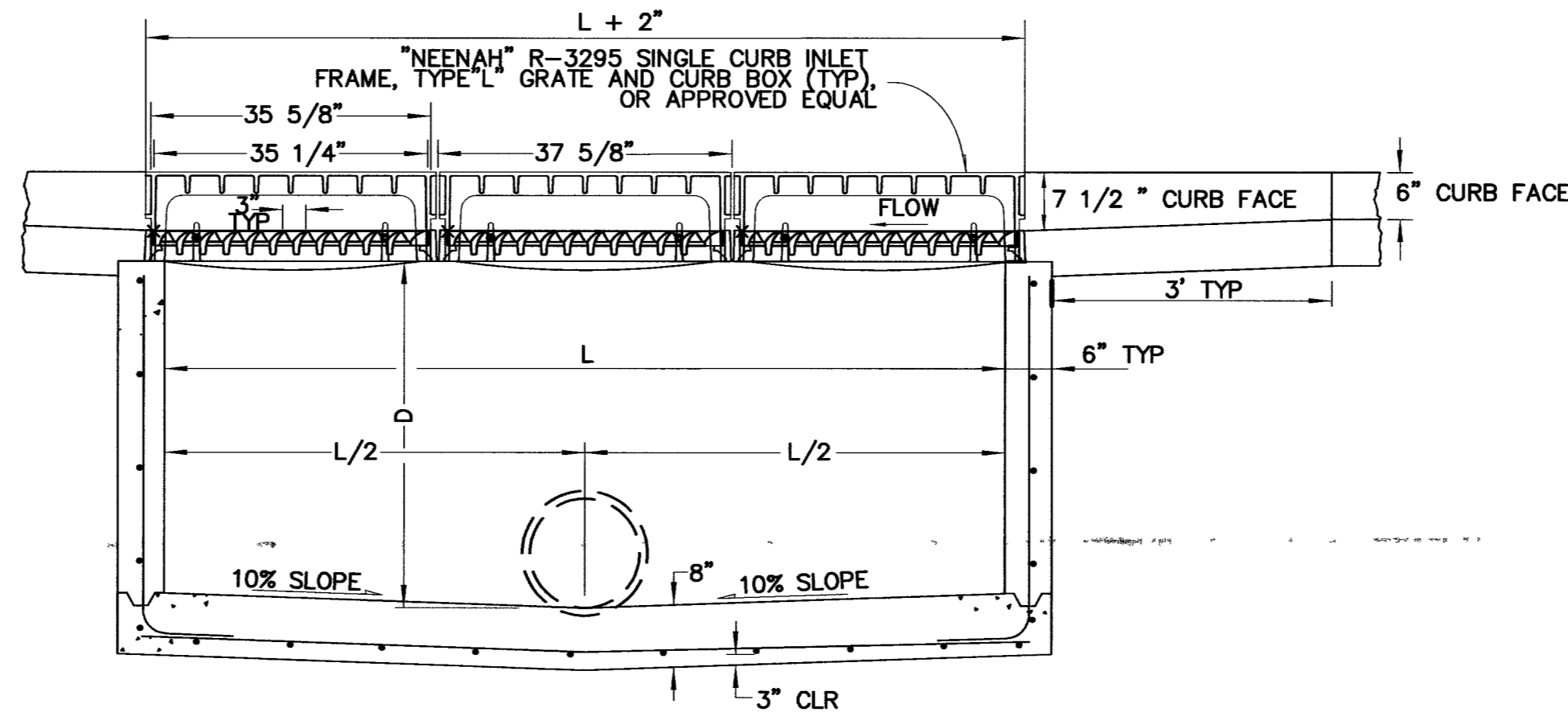


* CONTRACTOR TO PROVIDE 'INSERTA TEE' BRAND PVC CONNECTION TO 18" RCP STORM DRAIN. EQUIVALENT COUPLING METHOD MAY BE USED UPON WRITTEN APPROVAL BY FIELD ENGINEER.
INSERTA FITTINGS CO.
TEL. 503-357-2110
HTTP://WWW.INSERTATEE.COM

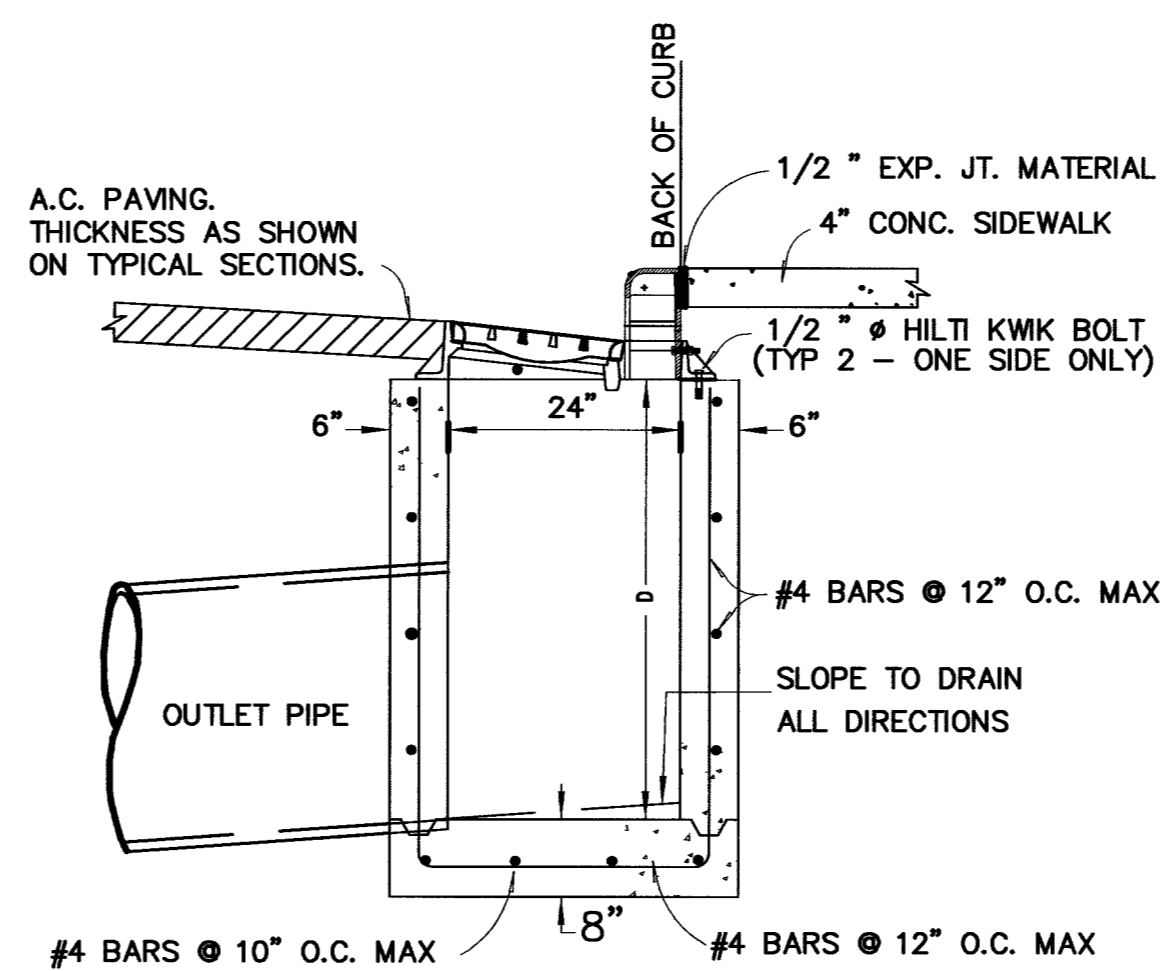
PVC ROOF DRAIN-STORM DRAIN CONNECTION
DETAIL
N.T.S.



PLAN VIEW - TYPE "F" INLET



SECTION B-B



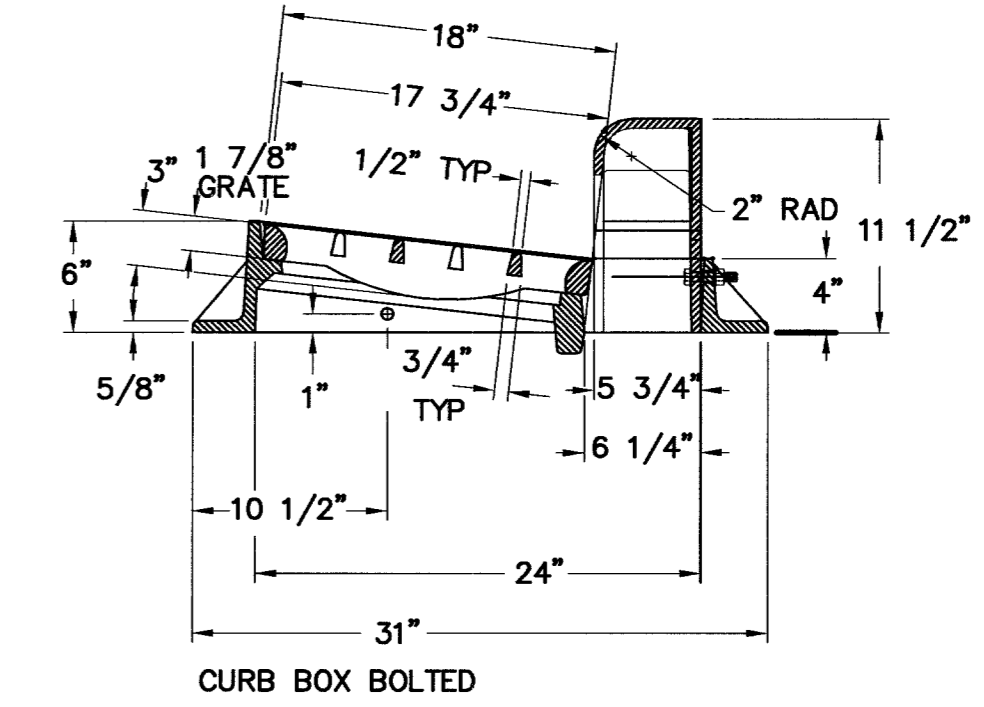
SECTION A-A

INLET FRAME AND GRATE DETAIL
N.T.S.

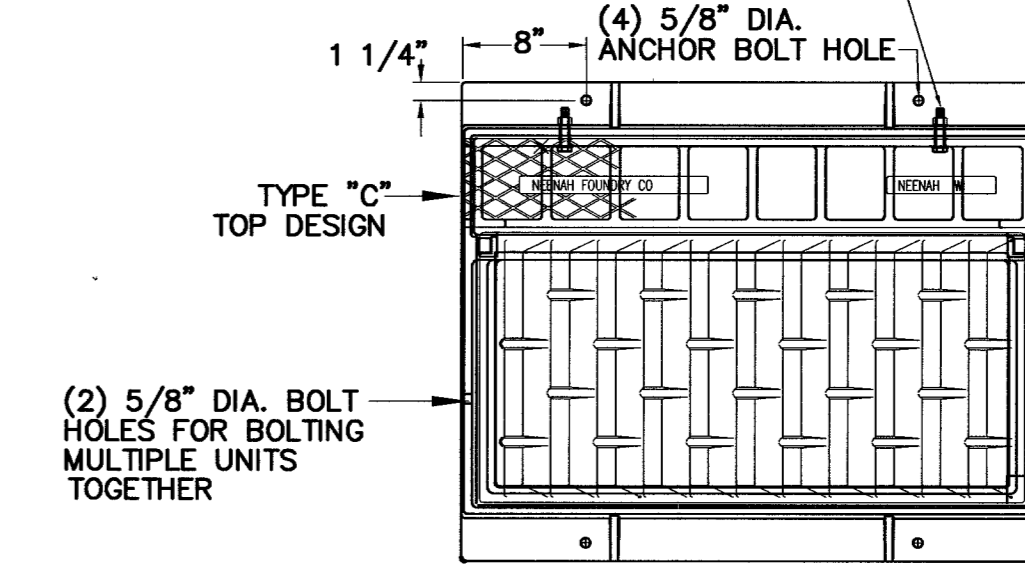
NOTES:

1. INLET STATION IS LOCATED AT CENTER OF DROP INLET.
2. OFFSET FROM ROAD CL MEASURED TO BACK OF CURB POINT AS SHOWN IN SECTION "A-A".
3. DEPTH "D" AND SIZE OF OUTLET PIPE AS SHOWN IN LATERAL DETAIL SHEETS.
4. CONCRETE SHALL BE CLASS "D" OR "DA".
5. OUTLET PIPE SHALL BE TRIMMED FLUSH WITH INSIDE FACE OF INLET.
6. LENGTH "L" IS A NOMINAL DIMENSION AND IS SHOWN IN MULTIPLES OF 3 FEET. SEE DETAILS ON THIS SHEET FOR EXACT DIMENSIONS OF GRATES AND FRAMES.

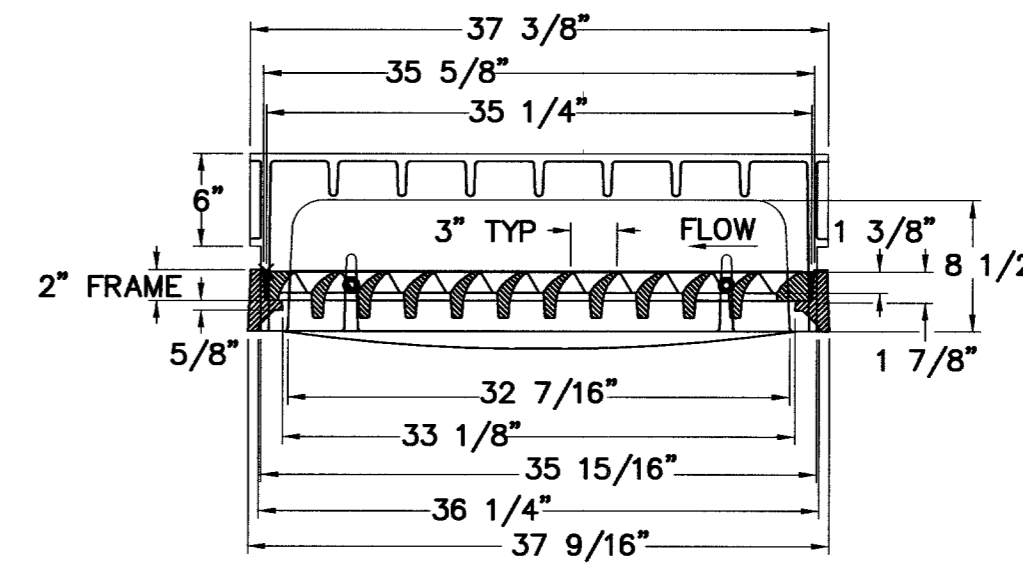
DROP INLET FRAME AND GRATE
NEENAH R-3295* SINGLE CURB INLET FRAME OR APPROVED EQUAL, TYPE "L" GRATE & CURB BOX OR APPROVED EQUAL (* MEETS AASHTO N306, 40,000 LB. PROOF LOAD SPEC.)
COMPONENT NO'S:
FRAME 3295-2000
GRATE 3067-3000
CURB BOX 3295-7002
MATERIAL: CAST GRAY IRON
ASTM A-48, CLASS 35B
FINISH: NOT PAINTED
WEIGHTS: FRAME APPROX. 205#
GRATE APPROX. 138#
CURB BOX 123#



TO FRAME WITH
(2) 1/2-13x2 1/2 STEEL
HEX. BOLT, NUT & WASHERS



(2) 5/8" DIA. BOLT HOLES FOR BOLTING MULTIPLE UNITS TOGETHER



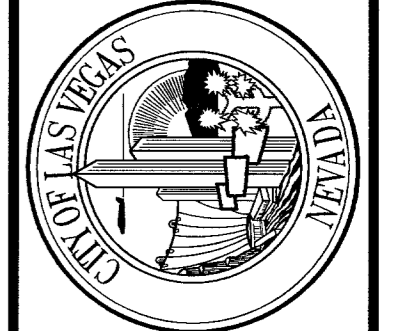
Avoid cutting underground utility lines. It's costly.
Call before you Dig
1-800-227-2800

SAFETY ALERT
Call Before You Overhead
1-702-227-2929

Call before you UnderGround
1-702-455-7511
CLARK COUNTY TRAFFIC OPERATIONS AND
1-702-229-6811
LAS VEGAS AREA COMPUTERIZED TRAFFIC SYSTEM

DATE	REVISIONS
MARCH, 2006 <td>CHECKED BY: KAA </td>	CHECKED BY: KAA
	DESIGNED BY: PM
	DRAWN BY: N/A
	SCALE (V): N/A

Kimley-Horn and Associates, Inc.
Engineering, Planning, and Environmental Consultants
1050 E. Flamingo Road, Suite 5210, Las Vegas, NV, 89119
Ph: (702) 734-5666 Fax: (702) 734-5666



DEPARTMENT OF PUBLIC WORKS
PROJECT: FREMONT STREET PEDESTRIAN IMPROVEMENTS LAS VEGAS BLVD. - 8TH ST.

SHEET: STORM DRAIN DETAILS

ENGINEER
KHALIL A. AMRIKANI
Exp. 12-31-06
CIVIL
No. 14366
STATE OF NEVADA

SHEET NO. DT-3
SHEET 14 OF 39
DRAWING NO. 107V45681