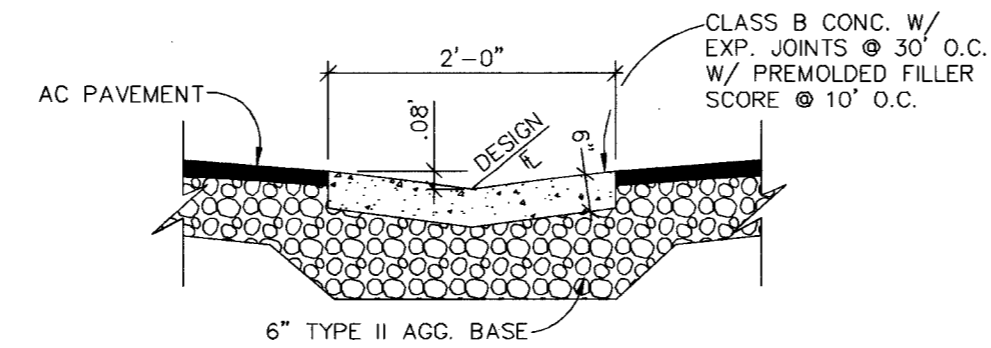
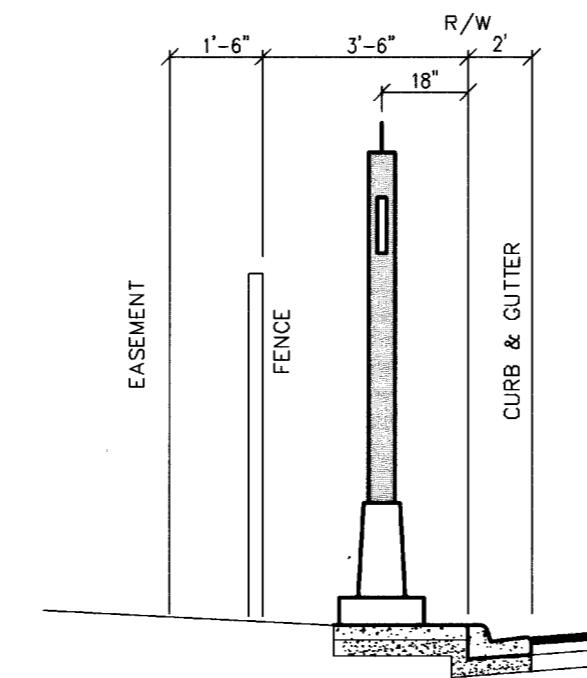


SECTION - A
SOUTH PROPERTY LINE
SCALE: NONE

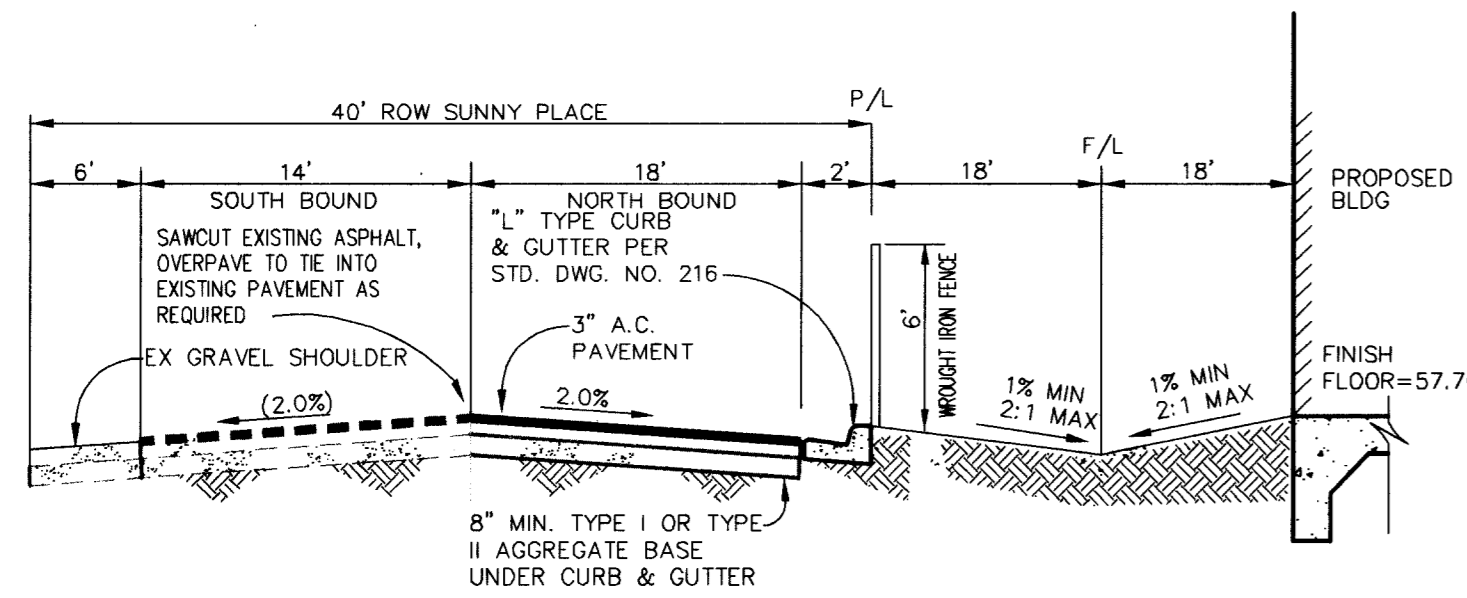


2' VALLEY GUTTER
SCALE: NONE

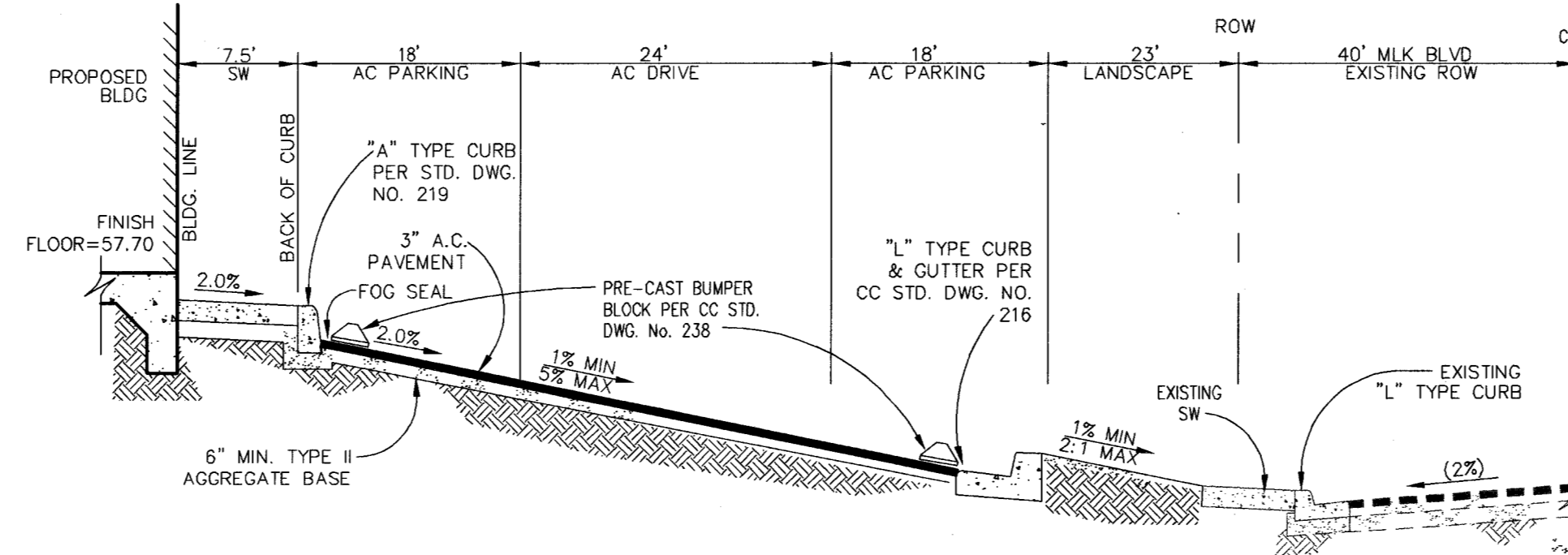
ALL HAND HOLE COVERS MUST BE INSTALLED.
POLE CAPS POURED, AND PULL BOX LIDS
BOLTED DOWN PRIOR TO ENERGIZING CIRCUIT.
ALL WIRE MUST HAVE THW INSULATION.



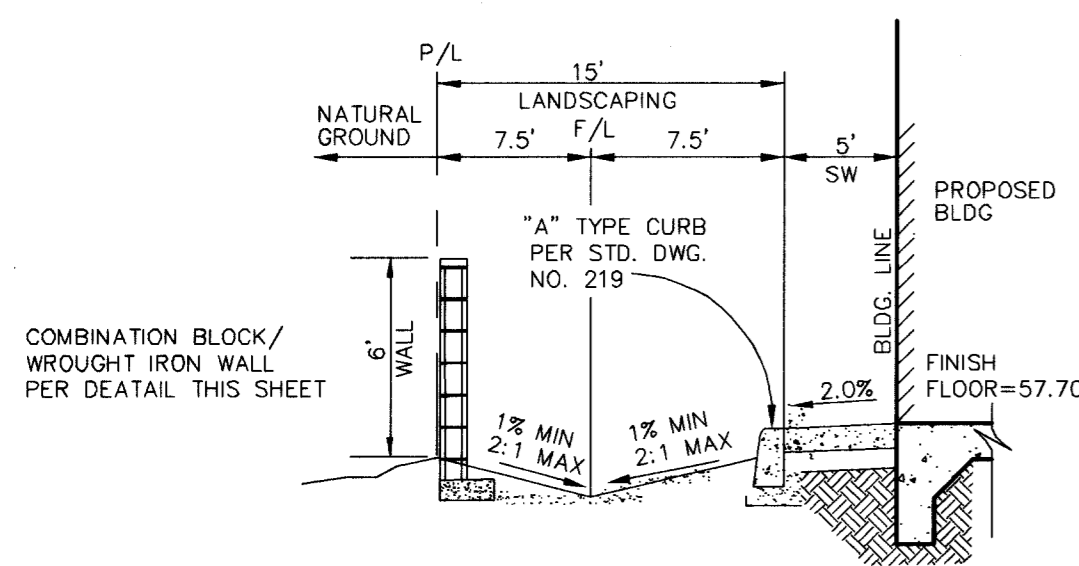
STREET LIGHT LOCATION
SCALE: NONE



SECTION - B
WEST PROPERTY LINE
SCALE: NONE

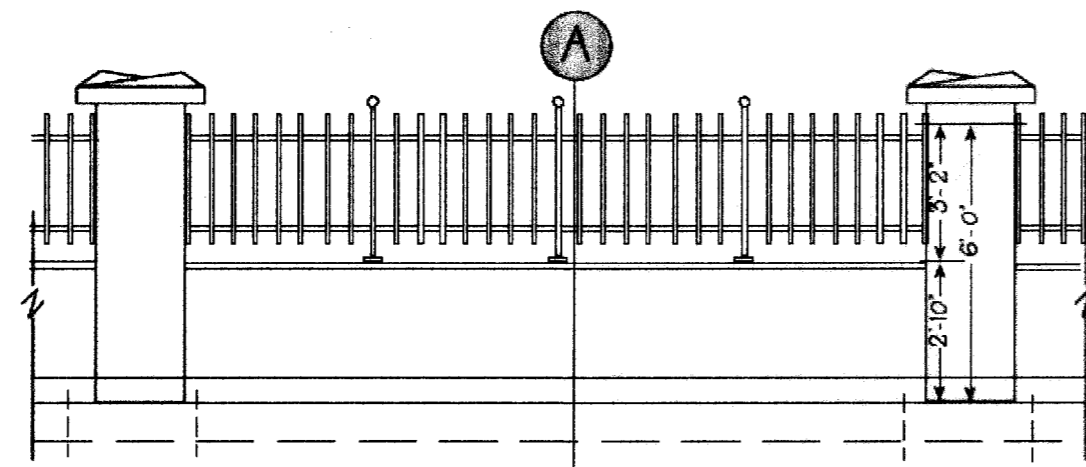


SECTION - D
EAST PROPERTY LINE
SCALE: NONE



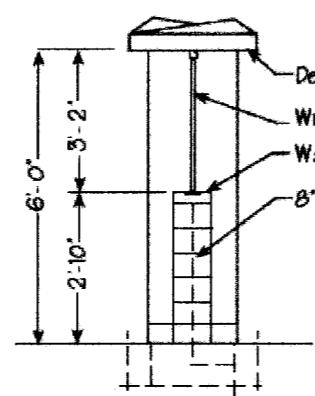
SECTION - C
NORTH PROPERTY LINE
SCALE: NONE

Residential Area
Wrought Iron Walls



WALL WROUGHT IRON

Note:
Permitted materials are:
Decorative block, split face,
flute brick, clamp, or stone.



WALL DETAIL

COMBINATION WROUGHT IRON
BLOCK WALL - DETAIL
SCALE: NONE

REV.	DATE	BY	REVISION

GREEN, HERRINGTON & HOWELL LLC
1600 ARKANSAS BLVD, STE #100
TEXARKANA, AR 71854
(870) 772-5457

ENGINEERING COMPANY

ALPHA & COMPANY
50 So. Jones #222, Ste 203
Memphis, TN 38117
Telephone: (901) 877-1300

DETAILS 1

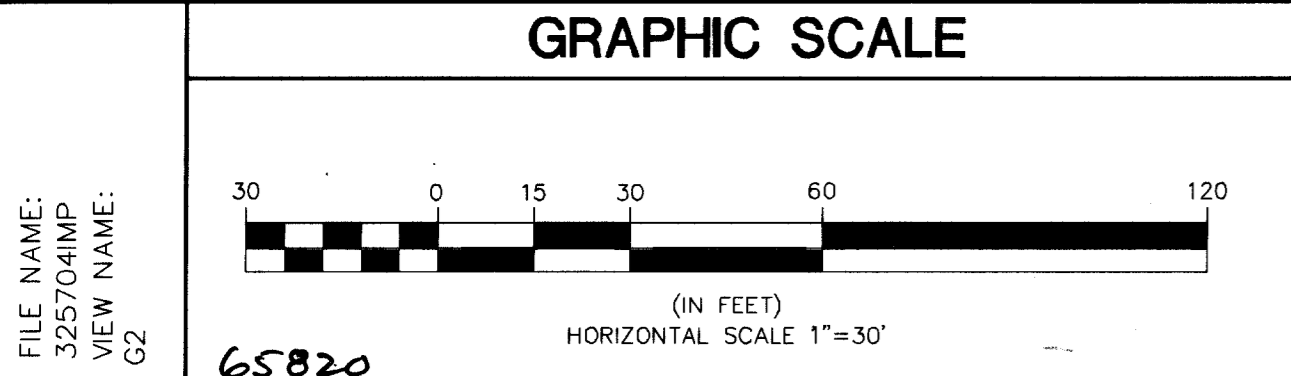
FAMILY DOLLAR STORE
@ MLK/WASHINGTON

DRAWN BY: MJP	DESIGNED BY: MJP	CHECKED BY: MJP	PROJECT NO: 325704
06-04-03	06-04-03	06-04-03	SCALE: 1"=20'

PROFESSIONAL ENGINEER - STATE OF ARIZONA
No. 13549
EXPIRES JUN 2008

3/28/2004

SHEET
D1
4 OF 7 SHEETS
DRAWING NO.
107N3956



BASIS OF BEARINGS

SOUTH 00°33'24" WEST, BEING THE EAST LINE OF THE NORTHEAST QUARTER (NE¼) OF THE SOUTHWEST QUARTER (SW¼) OF SECTION 28, TOWNSHIP 20 SOUTH, RANGE 61 EAST, M.D.M., CITY OF LAS VEGAS, NEVADA, AS SHOWN IN FILE 101, PAGE 93, OF PARCEL MAPS, CLARK COUNTY OFFICIAL RECORDS.

BENCHMARK

RIVET & PLATE IN TOP OF CURB @ N.E. CURB RETURN OF MARTIN L. KING BLDG INTERSECTING WASHINGTON AVENUE. 2LV01 2804 - ELEVATION: 2051.51 FEET [625.3015 meters] (N.A.V.D. 88)

CALL BEFORE YOU OVERHEAD
1-702-593-6111

NOTICE!
EXISTING UTILITIES ARE SHOWN ON PLANS FOR THE CONVIENIENCE OF THE CONTRACTOR ONLY. THE CONTRACTOR IS RESPONSIBLE FOR THE PROTECTION OF ALL UTILITIES. THE ENGINEER BEARS NO RESPONSIBILITY FOR UTILITIES NOT SHOWN OR SHOWN INCORRECTLY.

Call BEFORE YOU DUG
1-800-227-2600

NEVADA POWER ENVIRONMENT AND SAFETY SERVICES DEPARTMENT
UNDERGROUND SERVICE (USA)

FILE NAME:
325704IMP
VIEW NAME:
C2

65820