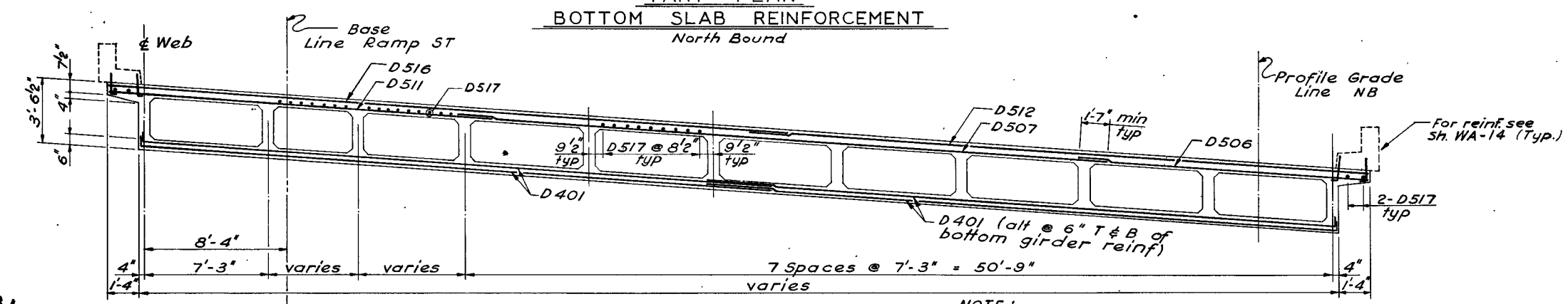
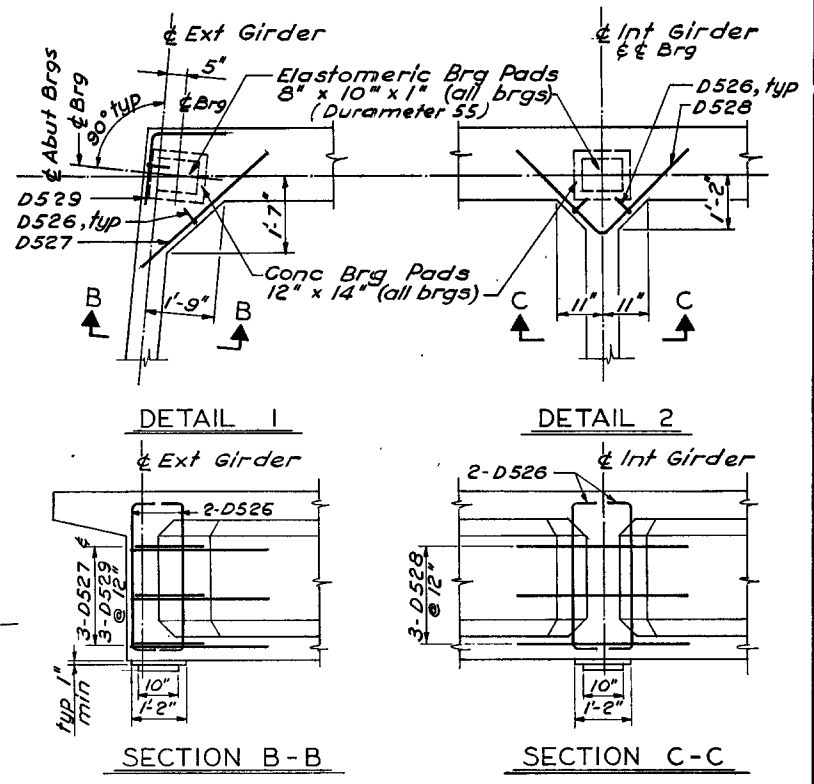
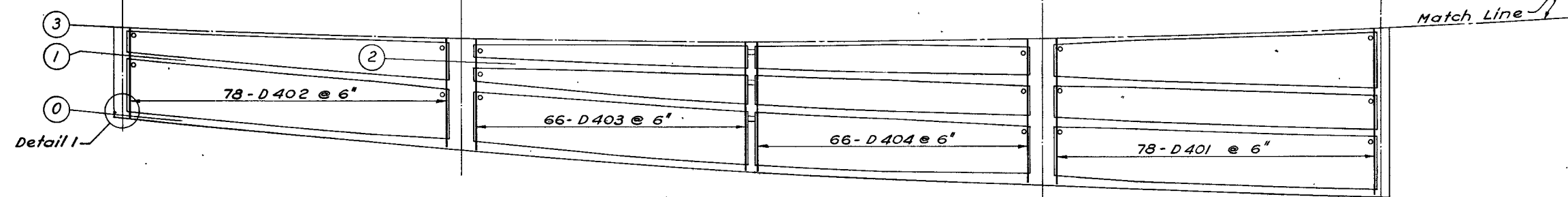
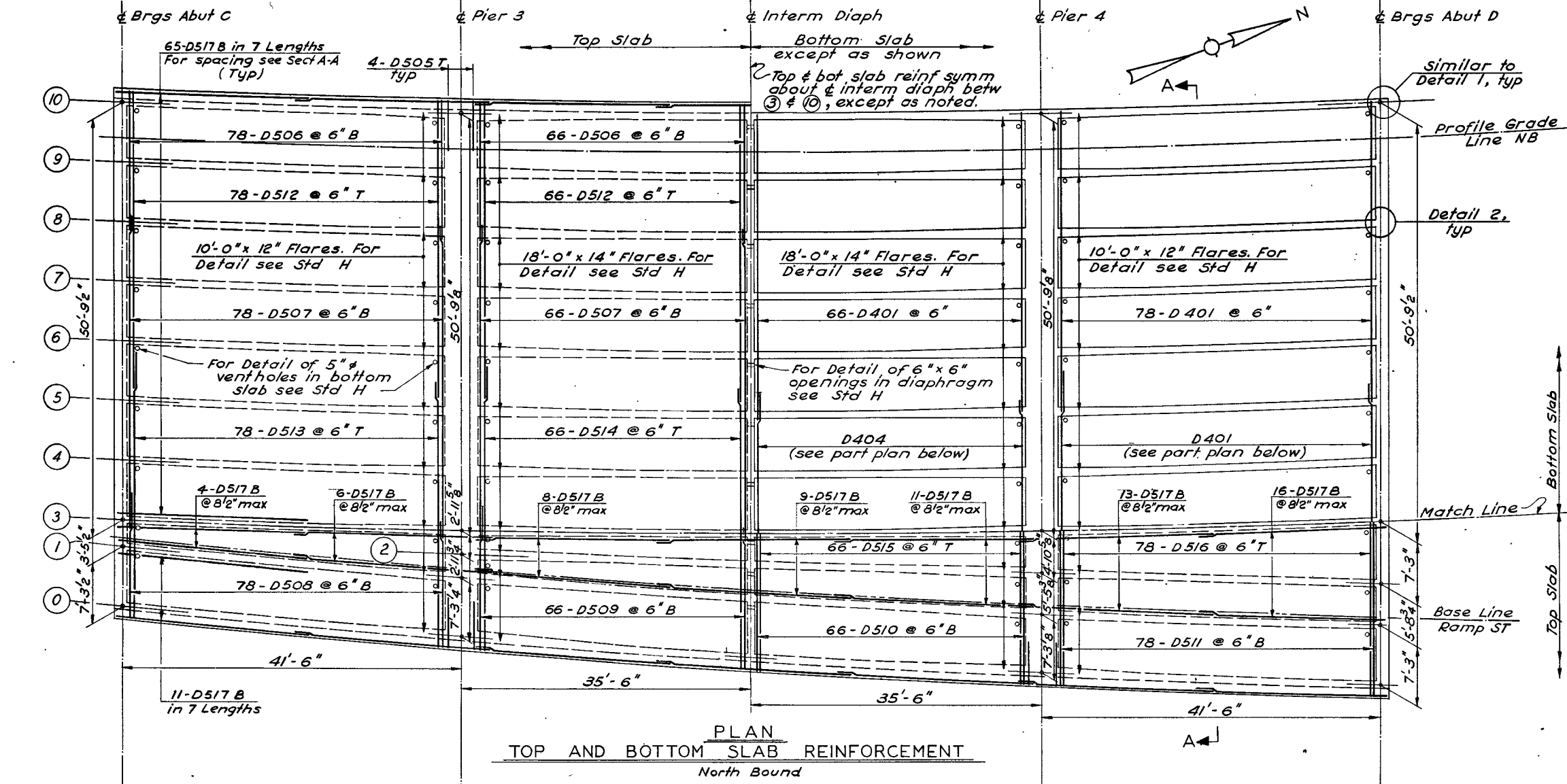


FED. ROAD DIV. NO.	STATE	PROJECT NO.	COUNTY	CONTROL SECTION	STATE ROUTE	SHEET NO.	TOTAL SHEETS
7	NEVADA	I-15-1 (22)	CLARK	03-083		72	130

Ref. Sheet WA-11



NOTE: For clarity web & girder reinforcement

59296

107V3834

STATE OF NEVADA
DEPARTMENT OF HIGHWAYS 62

WALL STREET OVERPASS
I-1042N & I-1042S
DECK SLAB NB

DE LEUW, CATHER & COMPANY SCALE DESIGNED BY JWN