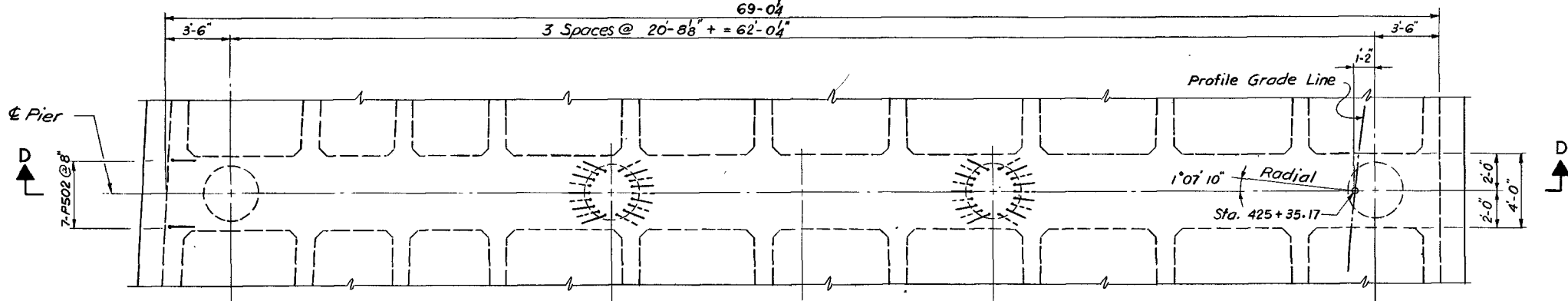
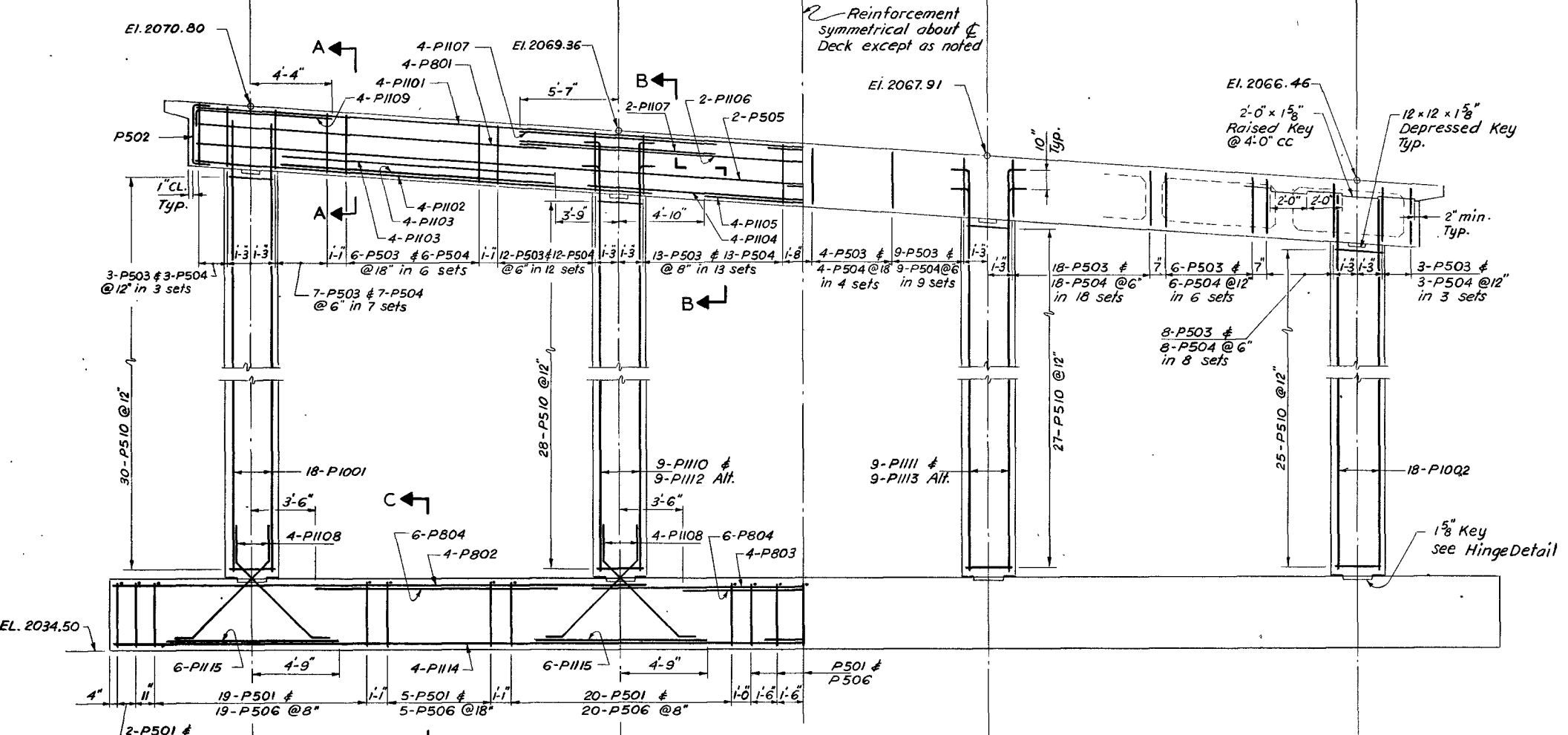


FED. ROAD DIV. NO.	STATE	PROJECT NO.	COUNTY	CONTROL SECTION	STATE ROUTE	SHEET NO.	TOTAL SHEETS
7	NEVADA	1-015-1 (22) 40	CLARK	09-083		70	130

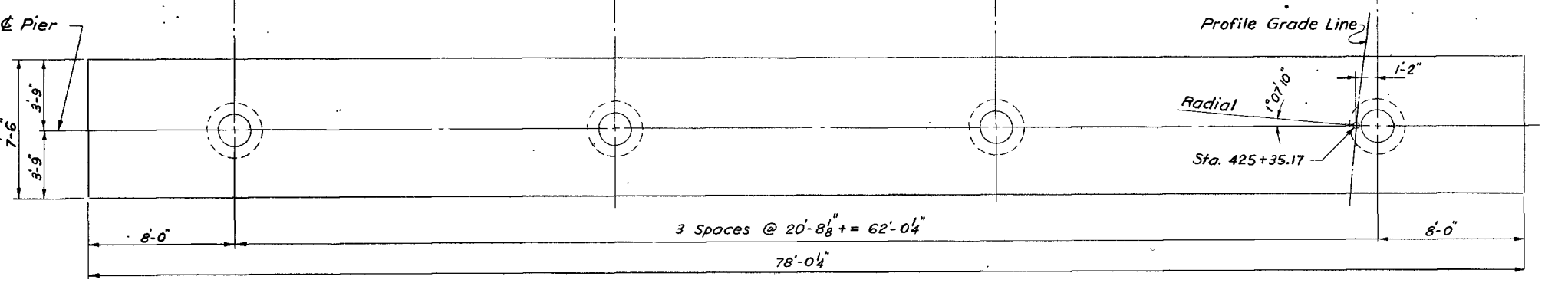
Ref. Sheet WA-9



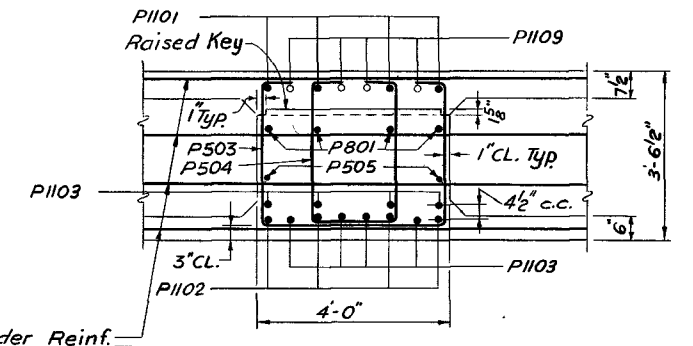
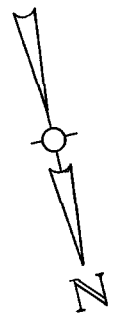
CAP PLAN



SECTION D-D

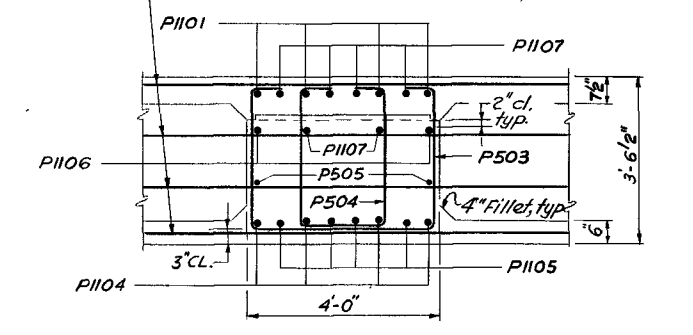


FOOTING PLAN

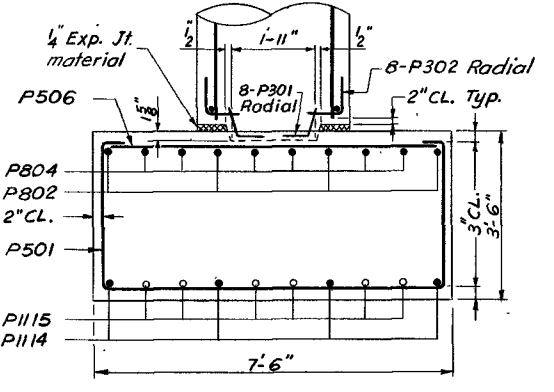
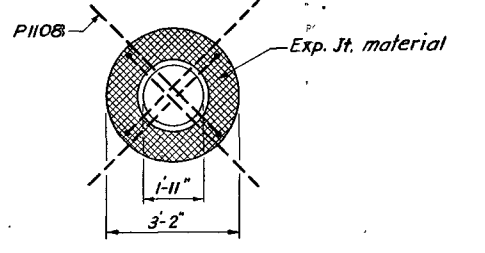
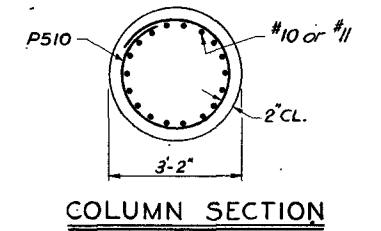


SECTION A-A

Girder Reinf. (Slab Reinf. not shown)



SECTION B-B



Notes:
All columns must be braced until superstructure is in place.

107 V 3834

STATE OF NEVADA
DEPARTMENT OF HIGHWAYS 60

WALL STREET OVERPASS
I-1042 N & I-1042 S
PIER 4

DE LEUW, CATHER & COMPANY SCALE DESIGNED BY PB

59294