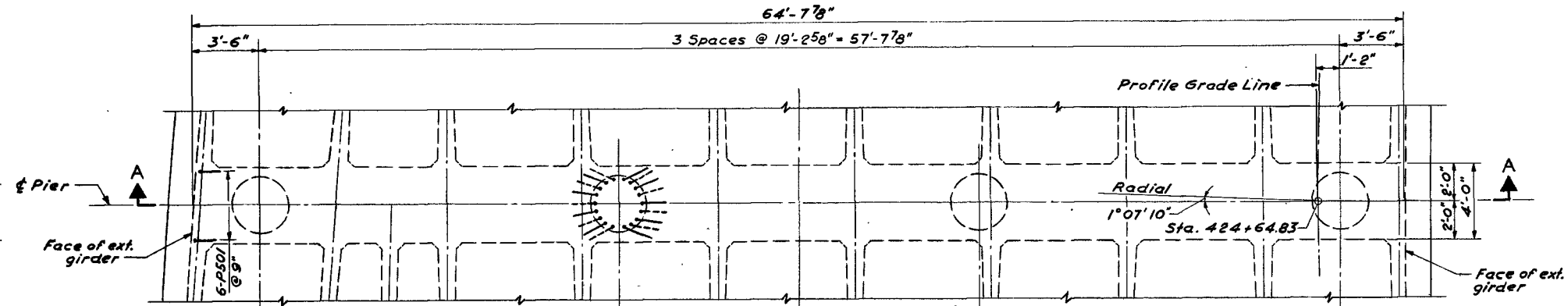
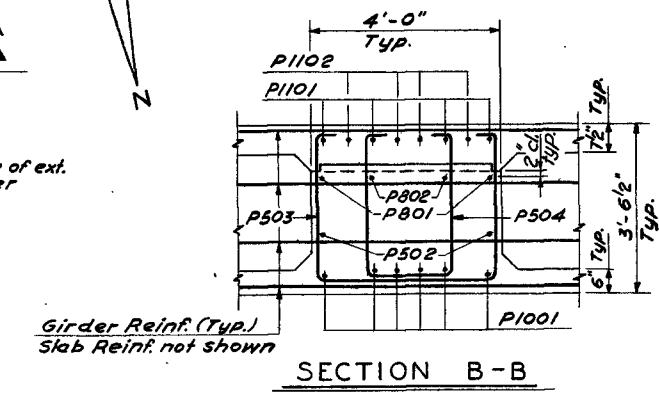


FED. ROAD DIV. NO.	STATE	PROJECT NO.	COUNTY	CONTROL SECTION	STATE ROUTE	SHEET NO.	TOTAL SHEETS
7	NEVADA	I-15-1 (22) 80	CLARK	03-083	08	130	

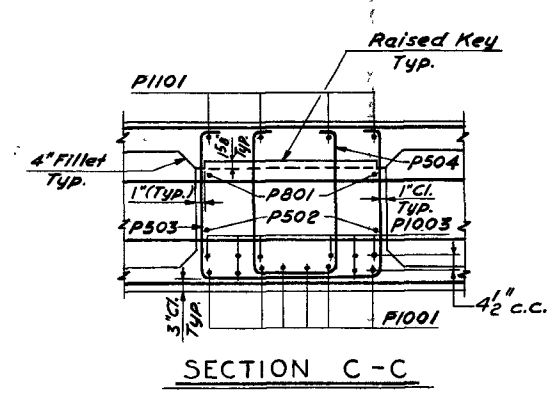
Ref. Sheet WA-8



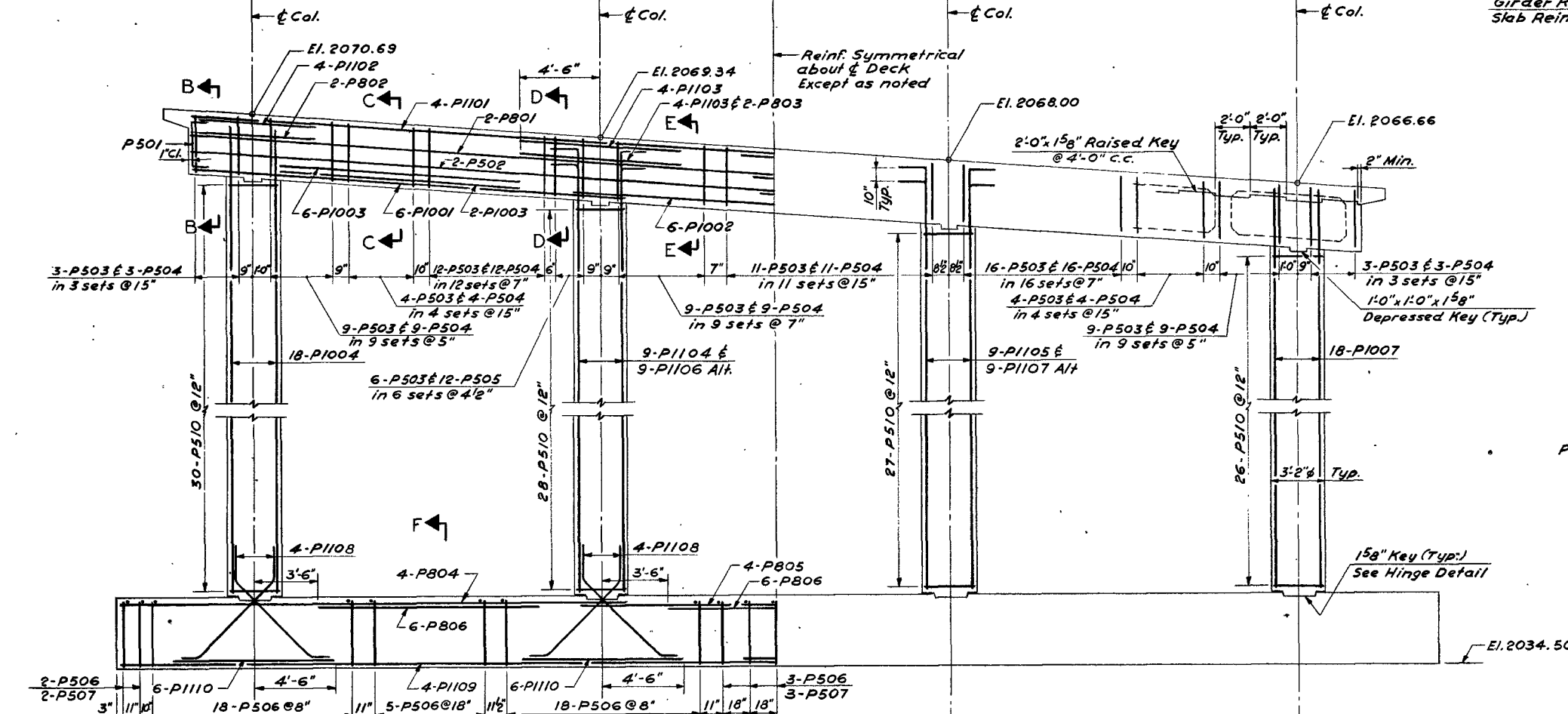
CAP PLAN



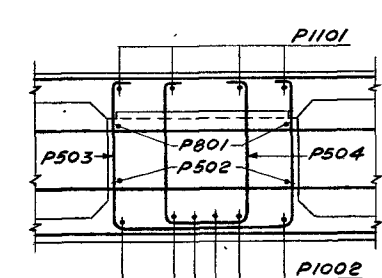
SECTION B-B



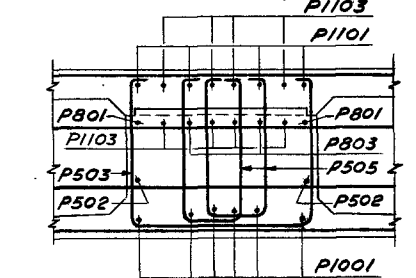
SECTION C-C



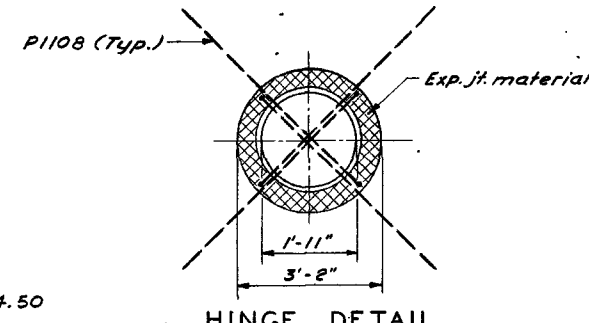
SECTION A-A



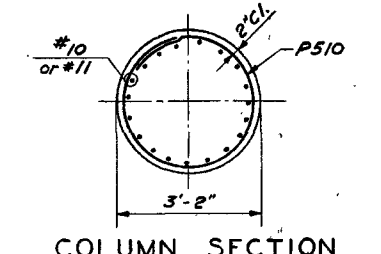
SECTION E-E



SECTION D-D

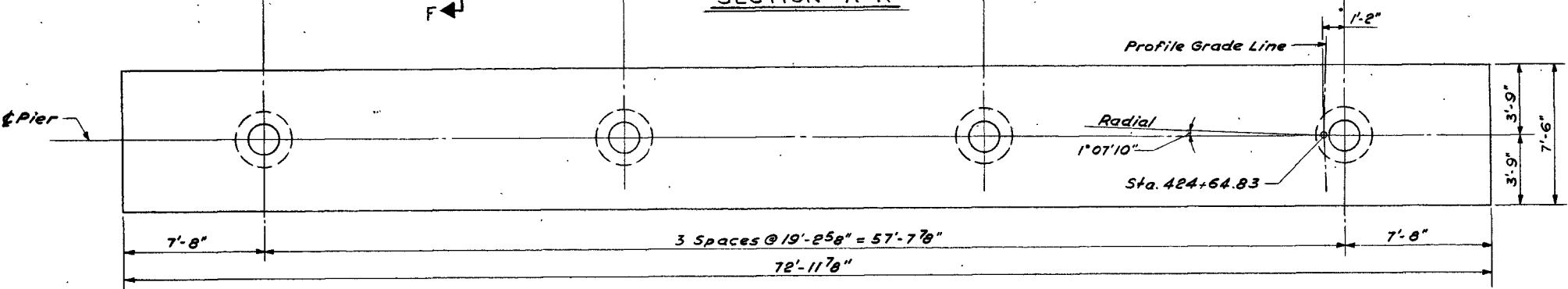


HINGE DETAIL

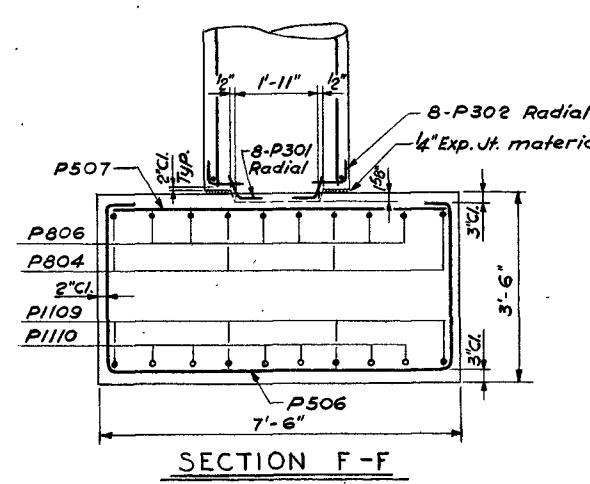


COLUMN SECTION

NOTE  
All columns must be braced until superstructure is in place



FOOTING PLAN



SECTION F-F

59293

107V 3834

STATE OF NEVADA  
DEPARTMENT OF HIGHWAYS 59

WALL STREET OVERPASS  
I-1042N & I-1042S  
PIER 3

DE LEUW, CATHER & COMPANY ENGINEERS  
SCALE: DESIGNED BY P.B.  
DRAWN BY R.P.