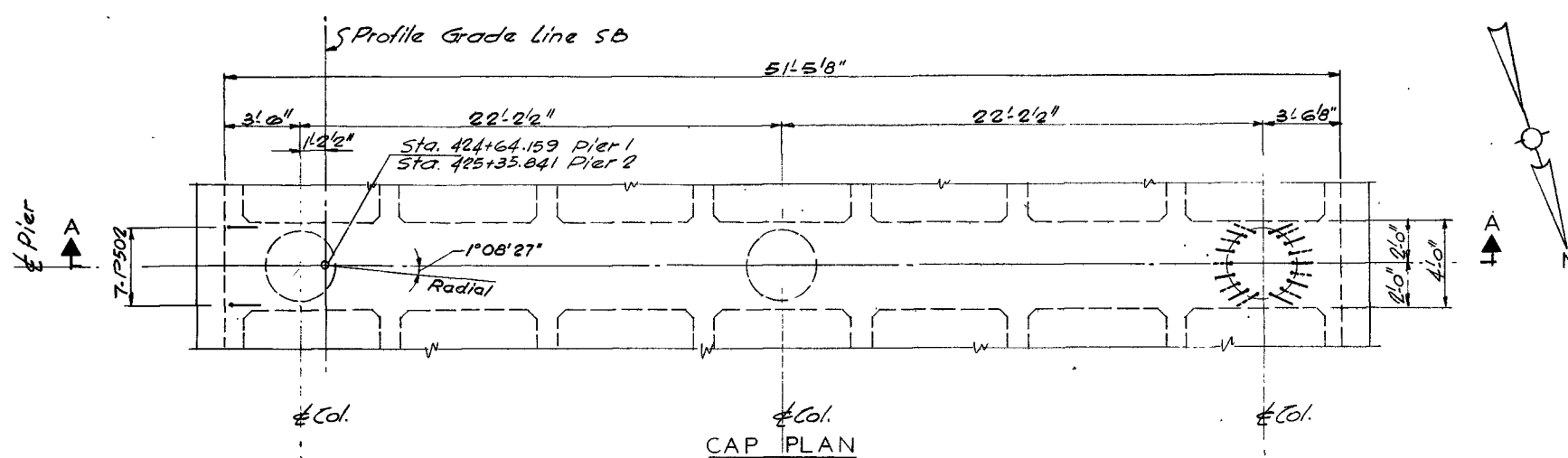


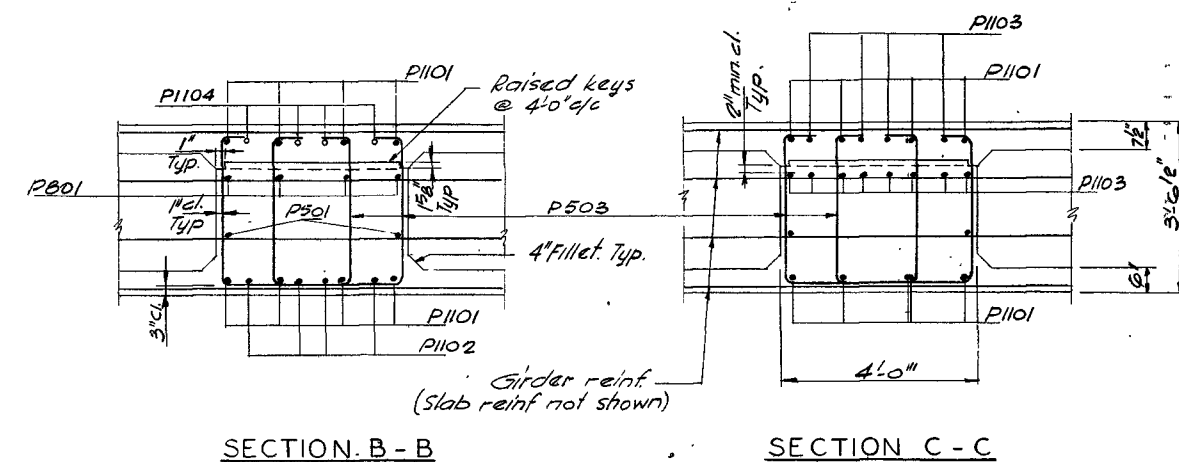
FED. ROAD DIV. NO.	STATE	PROJECT NO.	COUNTY	CONTROL SECTION	STATE ROUTE	SHEET NO.	TOTAL SHEETS
7	NEVADA	I-15-1 (22)W	CLARK	03-083		68	130

Ref. Sheet WA-7



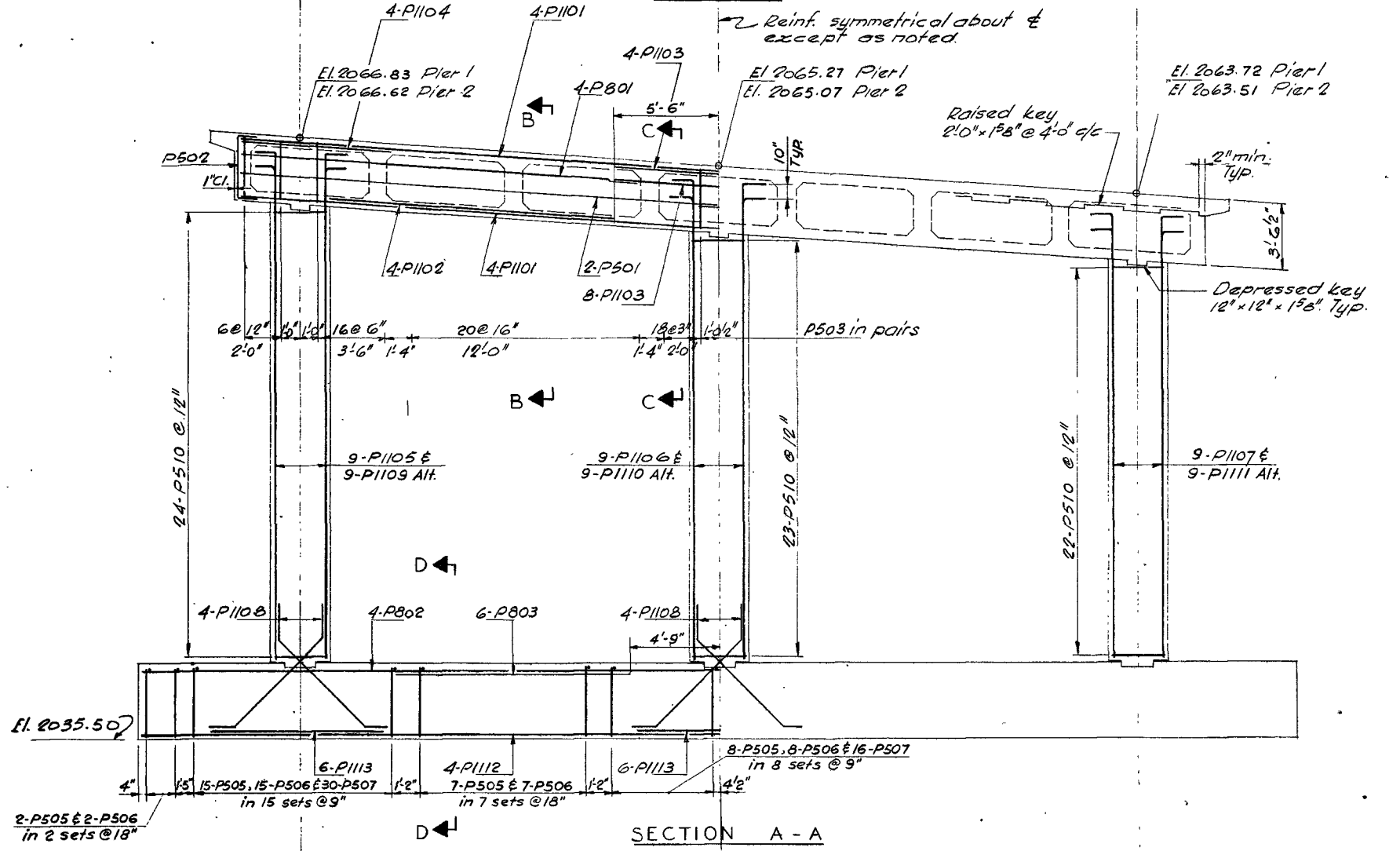
CAP PLAN

Reinf. symmetrical about ϕ except as noted.

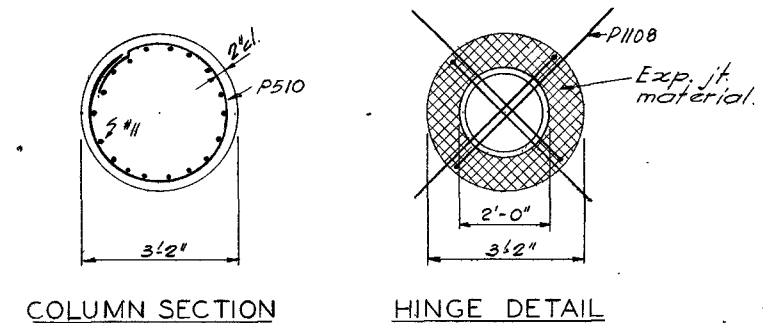


SECTION B - B

SECTION C - C

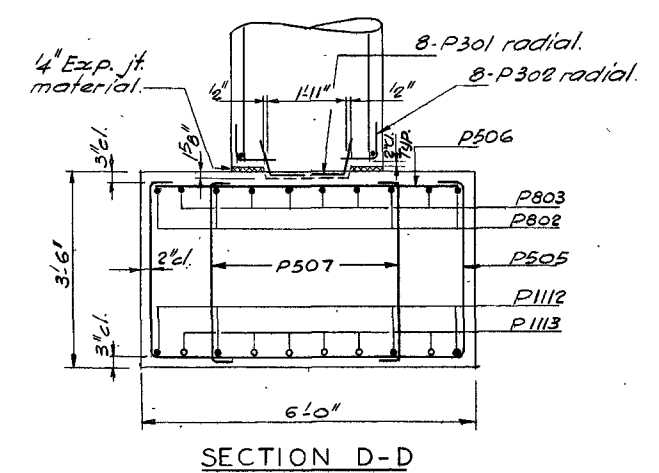


SECTION A - A



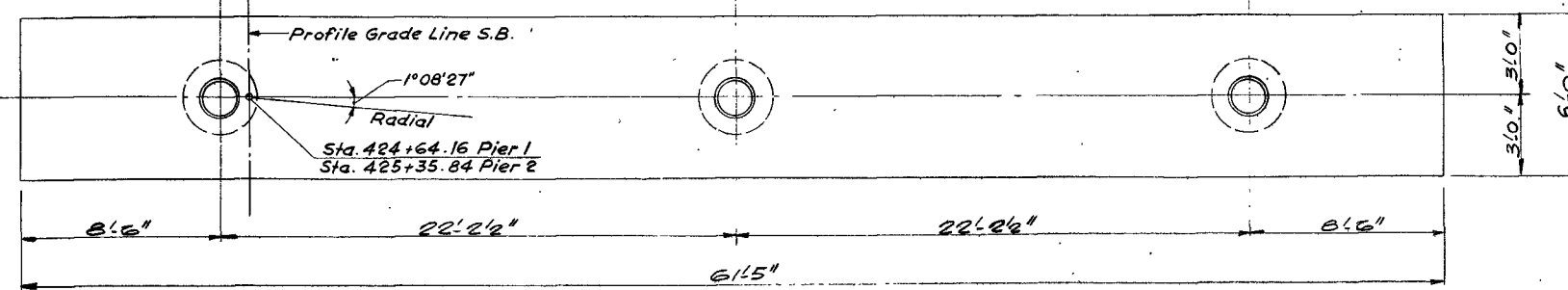
COLUMN SECTION

HINGE DETAIL



SECTION D - D

NOTE
All columns must be braced until superstructure is in place.



FOOTING PLAN

S9292

107V3834

STATE OF NEVADA
DEPARTMENT OF HIGHWAYS 58

WALL STREET OVERPASS
I-1042N & I-1042S
PIERS 1 & 2

DE LEUW, CATHER & COMPANY ENGINEERS
SCALE: DESIGNED BY: R.D.