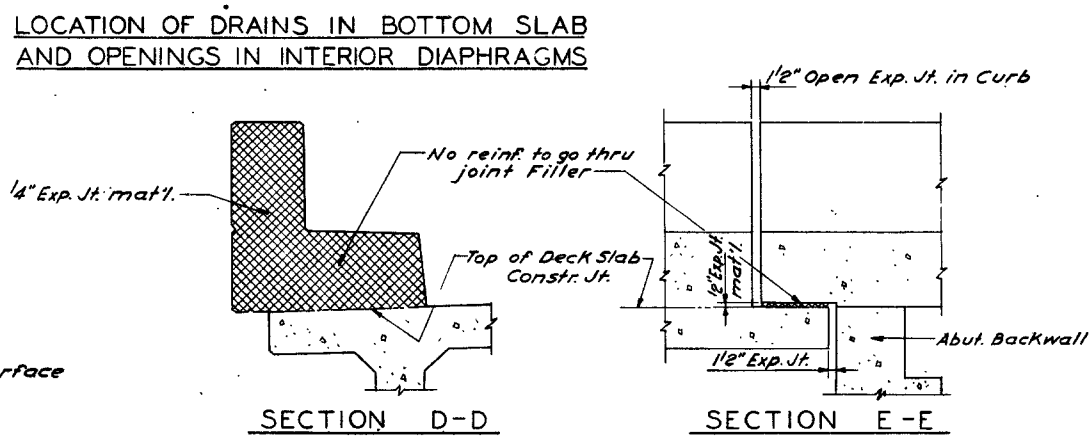
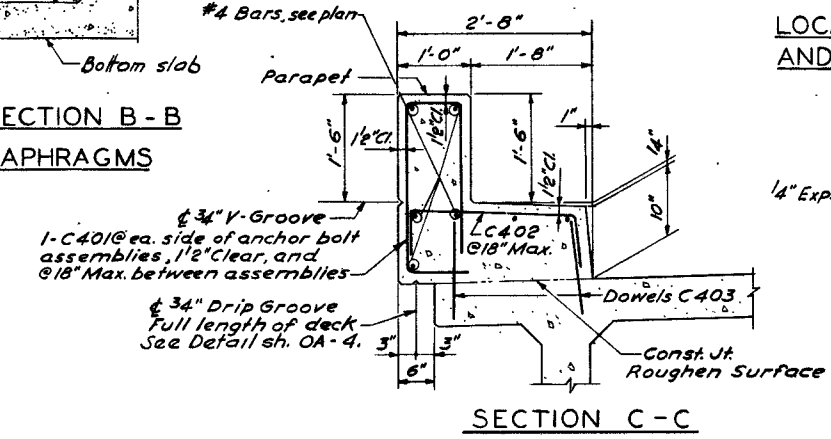
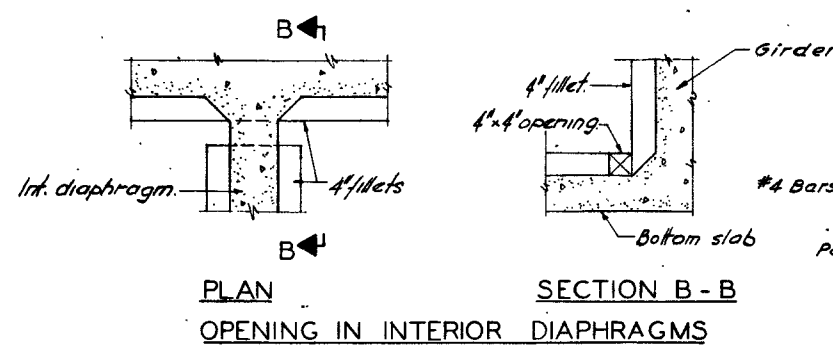
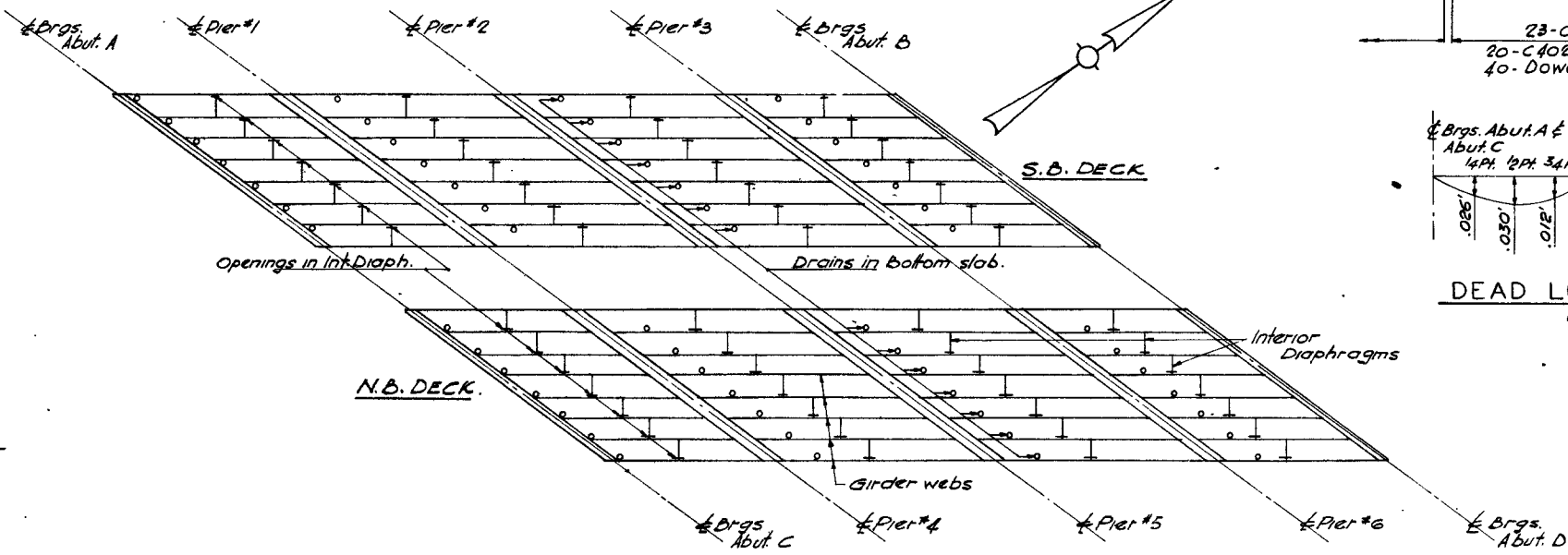
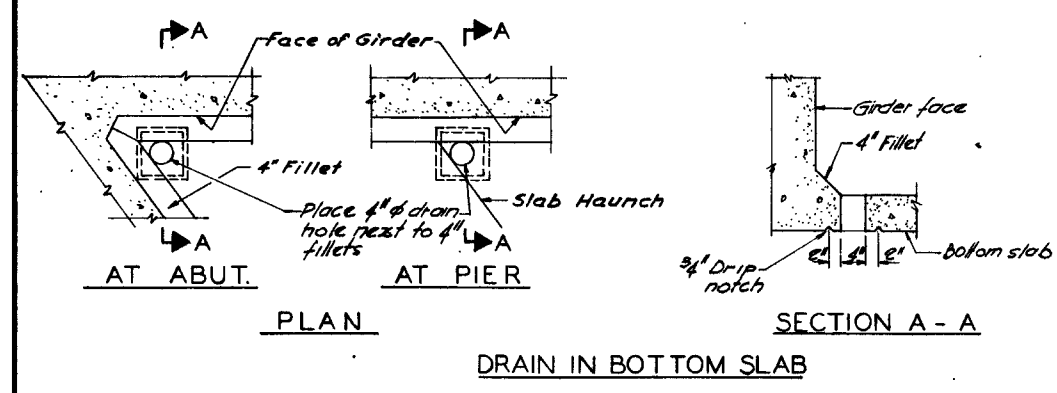
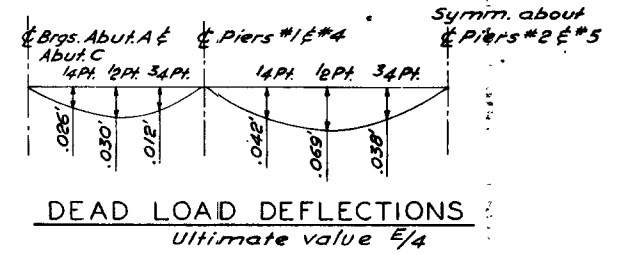
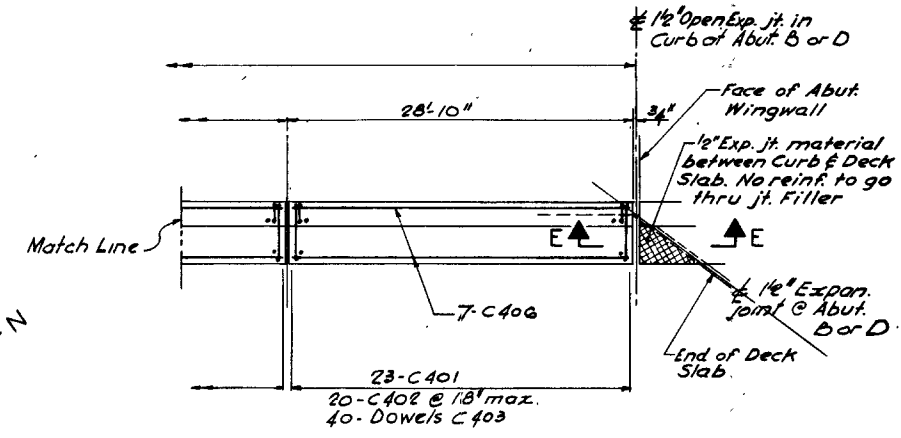
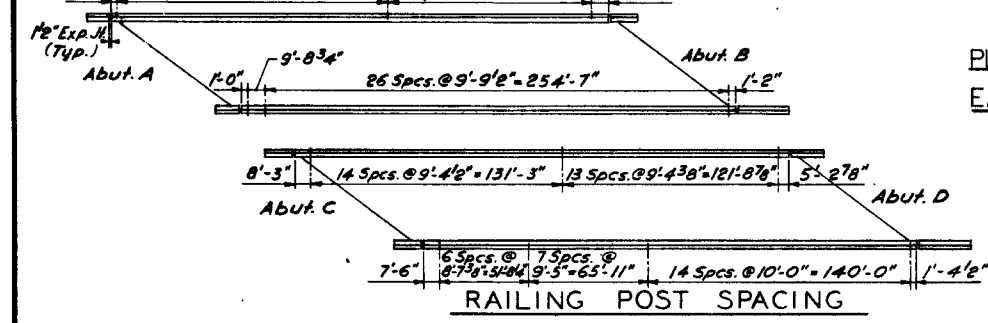
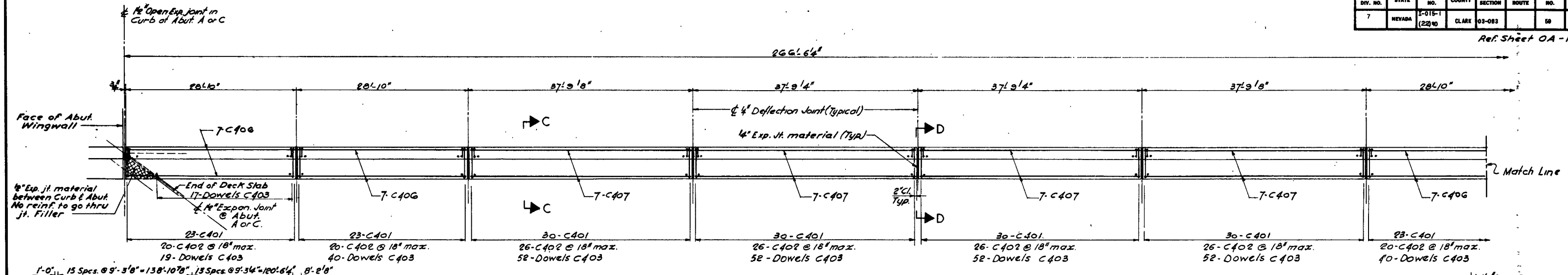


FED. ROAD DIV. NO.	STATE	PROJECT NO.	COUNTY	CONTROL SECTION	STATE ROUTE	SHEET NO.	TOTAL SHEETS
7	NEVADA	1-015-1 (22)	CLARK	03-083		50	130

Ref. Sheet OA-12



59203
 DESIGNED BY: L.L. LEB
 DRAWN BY: E.J.H./R.P.

STATE OF NEVADA
 DEPARTMENT OF HIGHWAYS 49
 1070 3834
 OAKLEY BOULEVARD OVERPASS
 H-933N & H-933S
 CURBS
 DE LEUW, CATHER & COMPANY SCALE