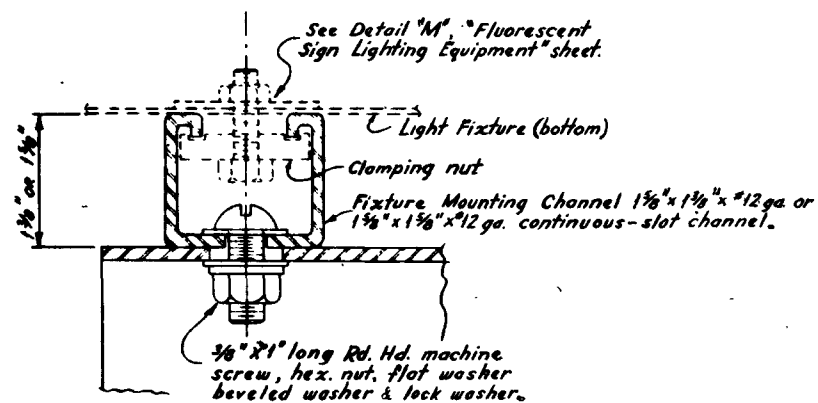
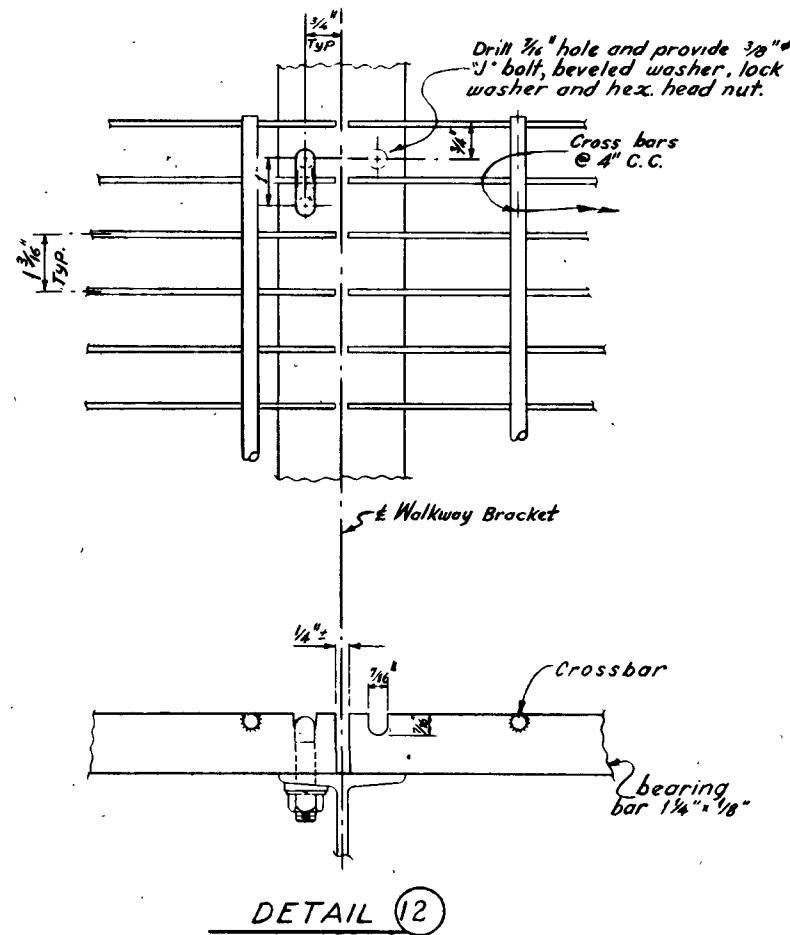
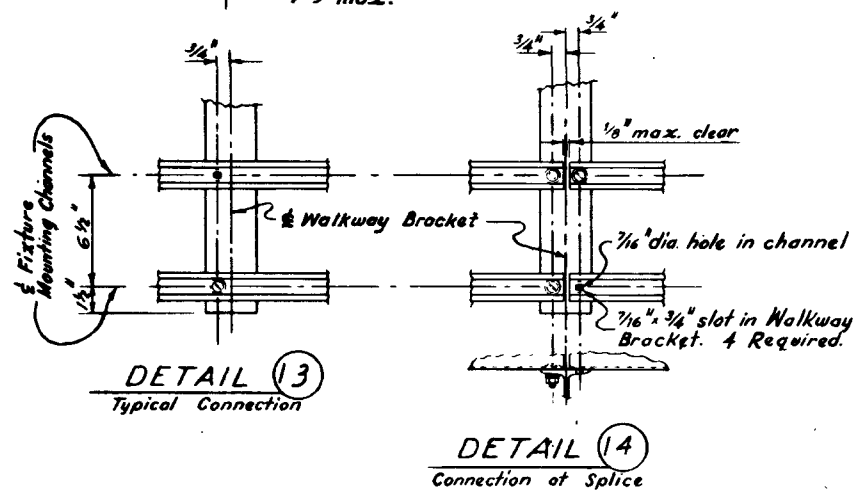


WALKWAY PLAN

NOTES

1. WELDED-TYPE GRATING SHALL HAVE 1 1/4" X 1/8" BEARING BARS @ 1 3/16" CENTERS WITH 5/16" DIAMETER (OR EQUAL) CROSS BARS @ 4" CENTERS. SEE DETAIL (12)
- IF MECHANICAL LOCK GRATING IS USED IT SHALL BE EQUAL IN STRENGTH TO THE WELDED-TYPE.
2. FOR SPACING OF LIGHTING FIXTURES SEE TABLE OF SPACINGS ON "FLUORESCENT SIGN LIGHTING EQUIPMENT" SHEET.
3. WALKWAY GRATING AND LIGHT FIXTURE MOUNTING CHANNELS TO BE CONTINUOUS (NO SPLICES) OVER AS MANY WALKWAY BRACKETS AS PRACTICABLE CONSISTENT WITH FABRICATION, EASE OF HANDLING AND ASSEMBLING.
4. BOLTS, NUTS, WASHERS, ETC. TO BE GALVANIZED.



SECTION V-V

59369

107V3834

STATE OF NEVADA
DEPARTMENT OF HIGHWAYS

OVERHEAD SIGN DETAILS
WALKWAY DETAILS NO. 1
STANDARD SHEET

135