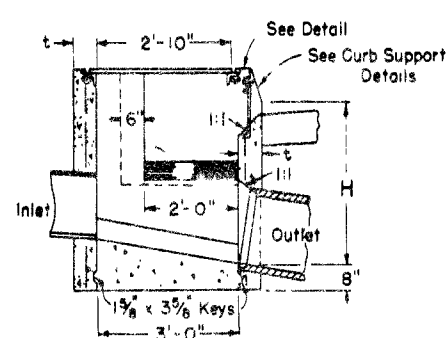
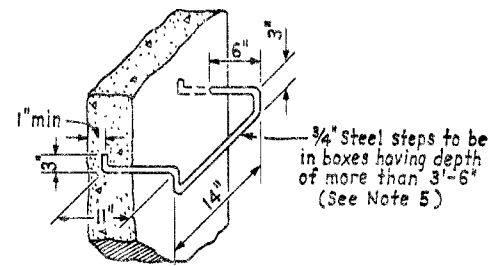


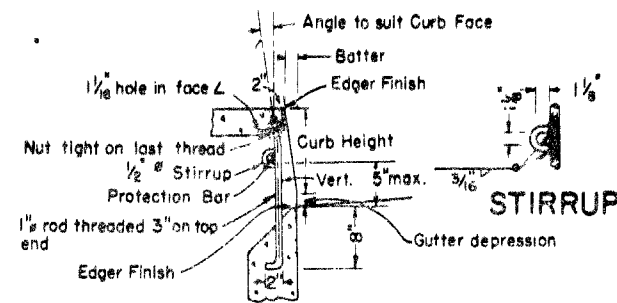
SECTION A-A



SECTION B-B



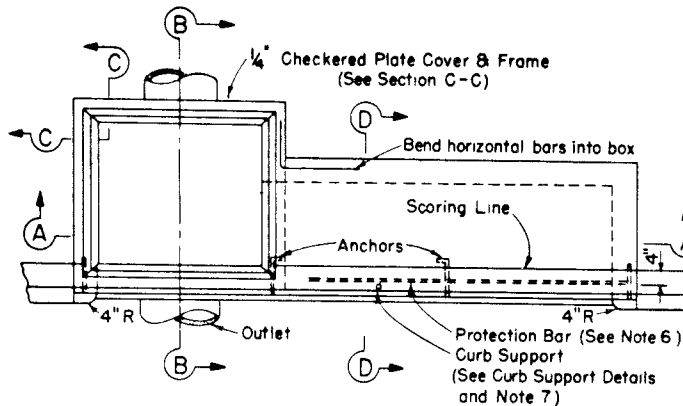
STEP DETAIL



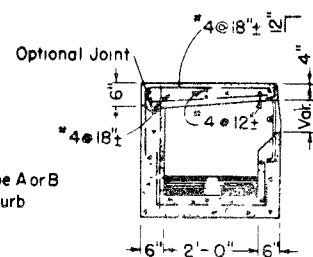
CURB SUPPORT DETAILS

GENERAL NOTES

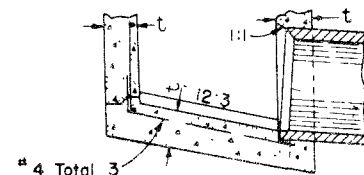
- "H" is the difference in elevation between the outlet pipe flow line and the normal gutter grade line undepressed at the curb face.
- For "t" wall thickness see Table.
- Height of curb opening will vary with the type of curb and the depth of the local depression.
- Reinforcing steel in walls shall be #4 bars @ 18" centers placed 1 1/2" clear to inside of box unless otherwise shown.
- Steps - None required where "H" is 3'-6" or less. Install one step 16" above floor when "H" is more than 3'-6" and less than 5'-0". Where "H" is more than 5'-0", steps shall be evenly spaced @ 12" intervals from 16" above floor to within 12" of the top of the box. Place steps in wall without pipe openings.
- When shown on the plans, Place a #6 protection bar horizontally across the entire length of the opening and bend back 4" into the inlet wall on each side.
- Curb openings longer than 7' shall have one curb support for each 7' increment or fraction thereof, evenly spaced.
- Pipe(s) can be placed in any wall.
- Curb section shall match adjacent curb.
- Except for inlets used as junction boxes, basin floors shall have a minimum slope of 12:3 from all directions toward outlet pipe and shall have a wood trowel finish.
- Galvanizing: See Standard Specifications or Special Provisions.



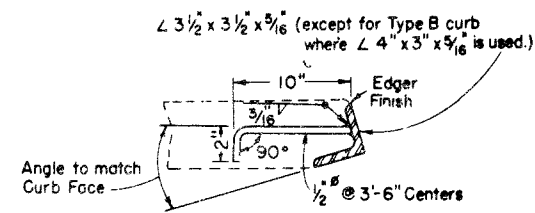
PLAN



SECTION D-D

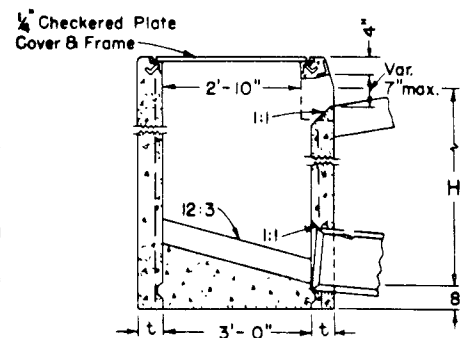


ALTERNATIVE REINFORCED BOTTOM

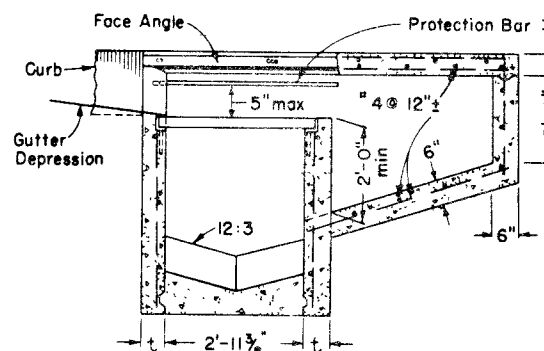


FACE ANCHOR DETAIL

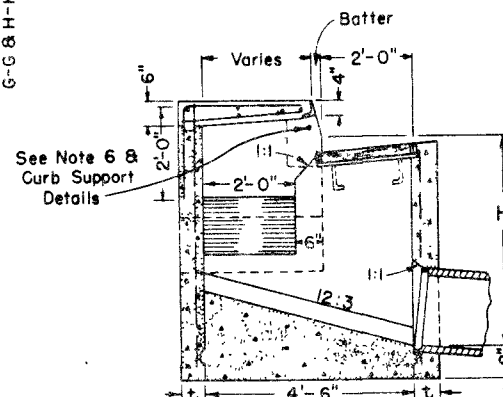
TYPE 4 DROP INLET



SECTION E-E



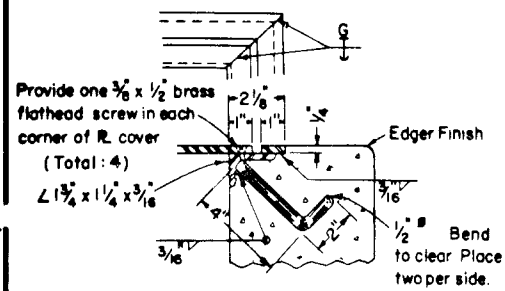
SECTION F-F



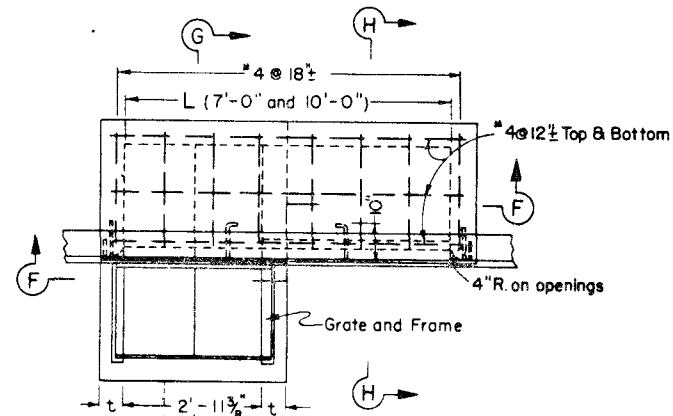
SECTION G-G

H	t
8'-0" or Less	6"
3'-6" or less	2
7'-0"	3
10'-0"	4
14'-0"	5
21'-0"	7

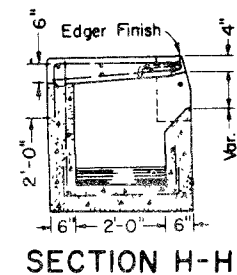
Length of Curb Opening	No of Anchors
8'-0" or Less	6"
3'-6" or less	2
7'-0"	3
10'-0"	4
14'-0"	5
21'-0"	7



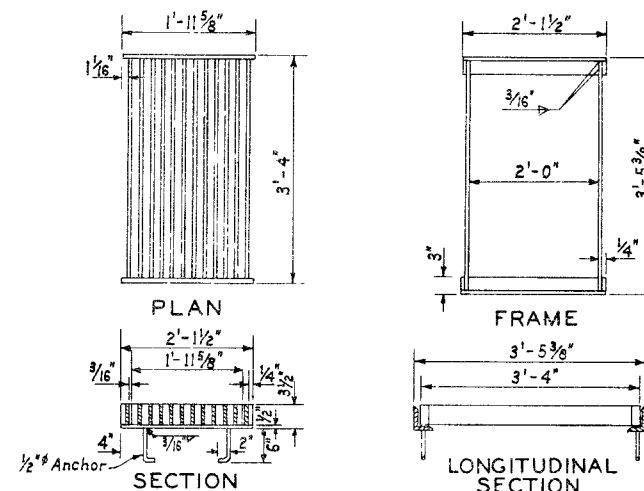
SECTION C-C



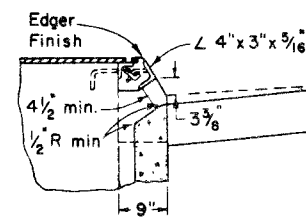
PLAN



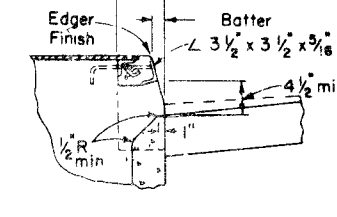
SECTION H-H



FRAME AND GRATE DETAILS



TYPE 2 CURBS



TYPE 1 CURBS

CURB OPENING DETAILS

- Full penetration butt welds may be substituted for the fillet welds on all anchors.
- Standard square, hexagon, round or equivalent headed anchors may be substituted for the right angle hooks on the anchors shown on this plan.

1070 3833
 152 STATE OF NEVADA
 DEPARTMENT OF HIGHWAYS
**STANDARD
 TYPE 4-5 AND 6
 DROP INLETS**