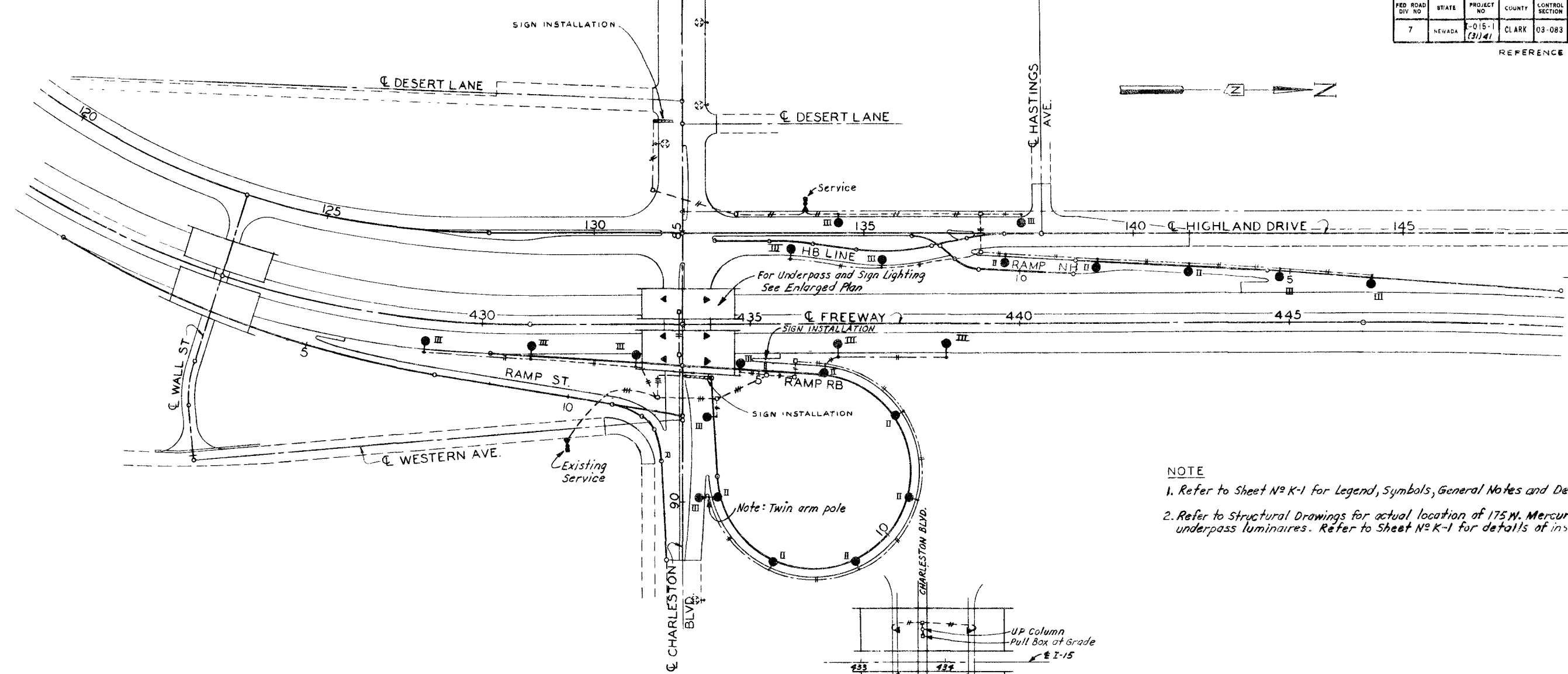
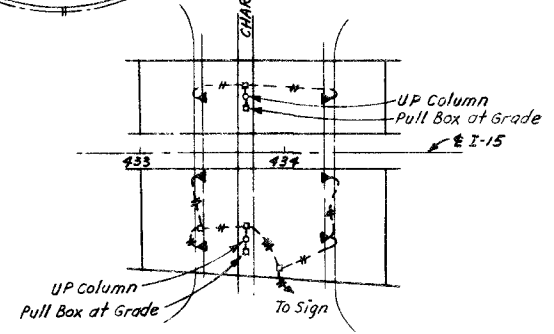


FED. ROAD DIV. NO.	STATE	PROJECT NO.	COUNTY	CONTROL SECTION	STATE ROUTE	SHEET NO.	TOTAL SHEETS
7	NEVADA	E-015-1 (31/41)	CLARK	03-083		126	

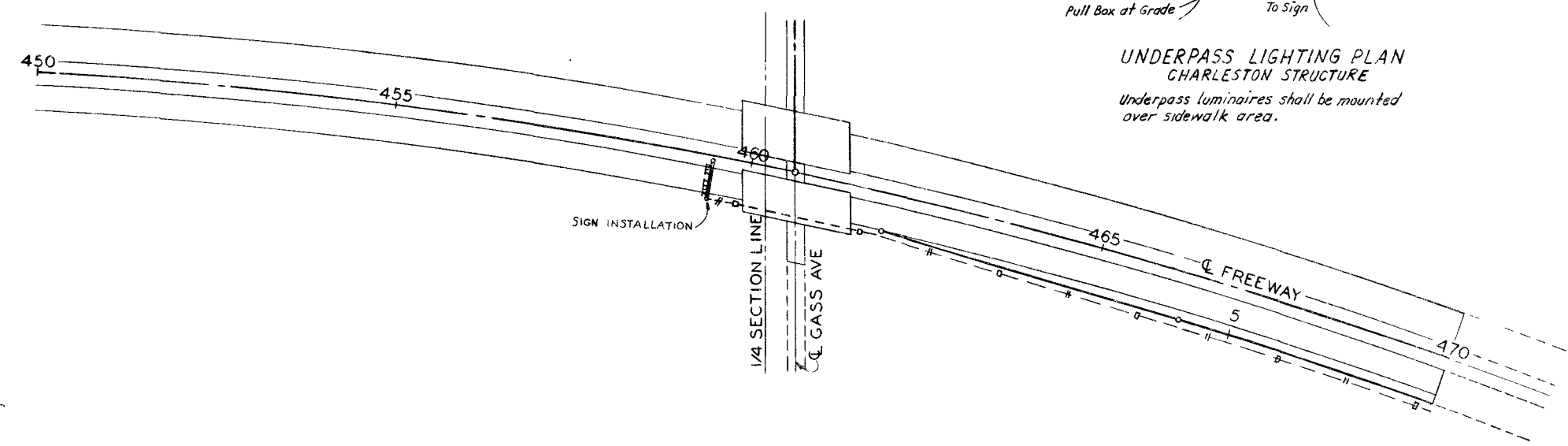
REFERENCE SHEET NO K-3



- NOTE**
1. Refer to Sheet No K-1 for Legend, Symbols, General Notes and Details.
  2. Refer to Structural Drawings for actual location of 175 W. Mercury Vapor underpass luminaires. Refer to Sheet No K-1 for details of installation.



**UNDERPASS LIGHTING PLAN  
CHARLESTON STRUCTURE**  
Underpass luminaires shall be mounted over sidewalk area.



59026  
58718

126 107 V3833

STATE OF NEVADA  
DEPARTMENT OF HIGHWAYS

**LIGHTING PLAN**  
STA. 429+00 TO STA. 470+00  
LAS VEGAS FREEWAY

DE LEUW, CATHER & COMPANY ENGINEERS SAN FRANCISCO CALIFORNIA	DATE DESIGNED BY DRAWN BY CHECKED BY APPROVED BY	FN IK RJD
--	--	-----------------