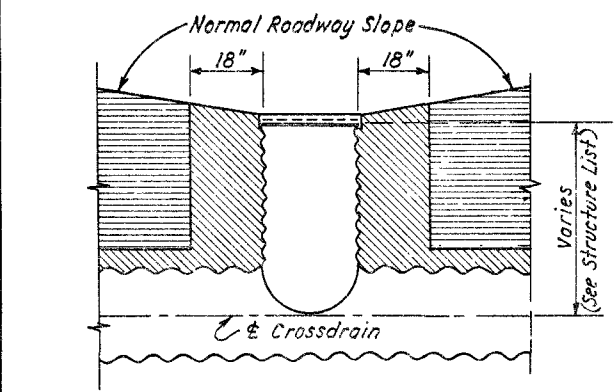
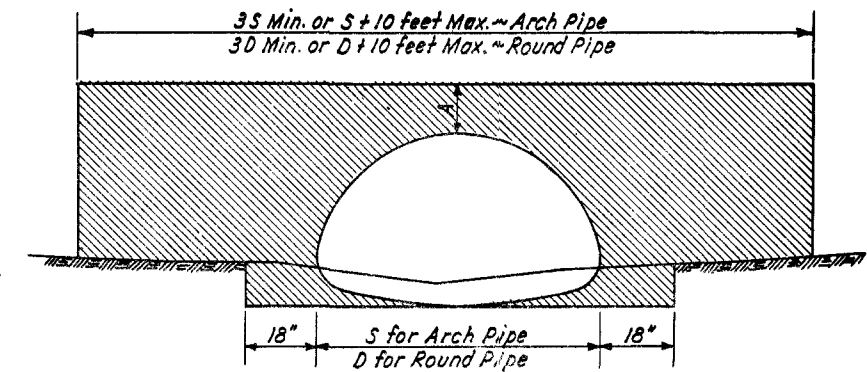
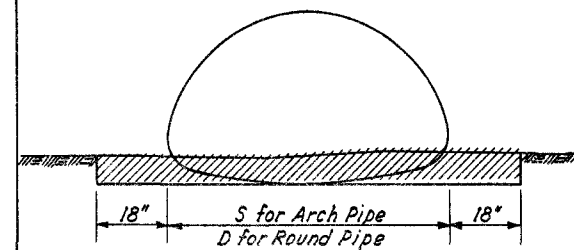


PRECAST CONCRETE END SECTIONS

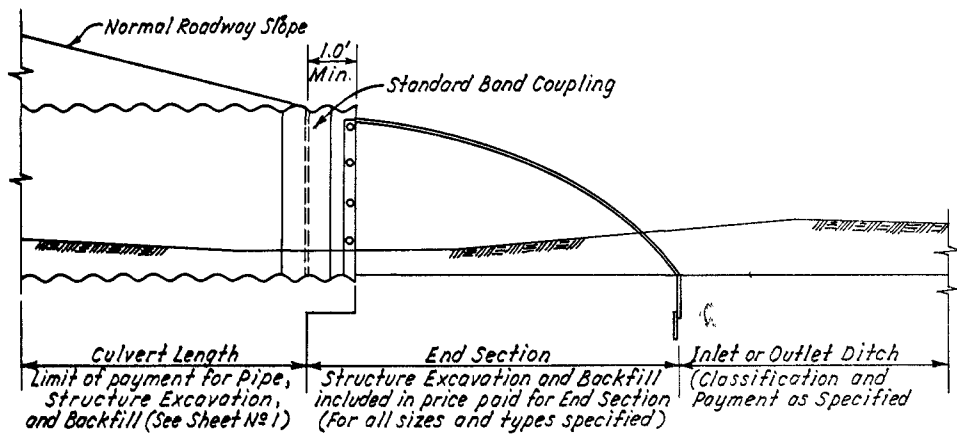


MEDIAN RISER

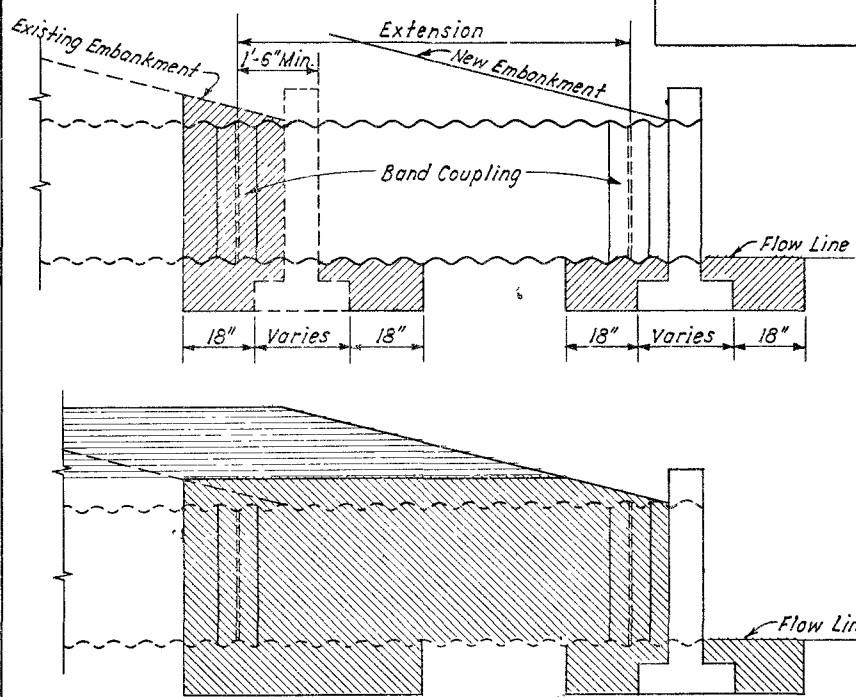


A = Minimum Height of Cover = $\frac{\text{Span}}{8}$ (but not less than 1 foot)

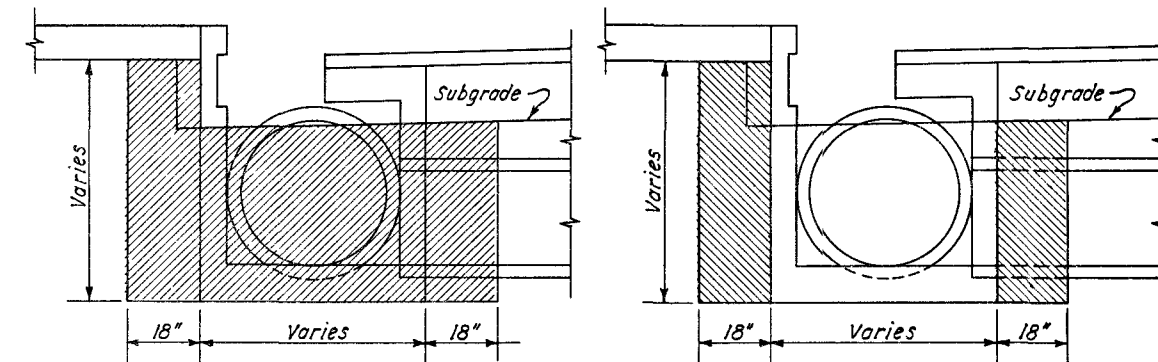
STRUCTURAL PLATE PIPE



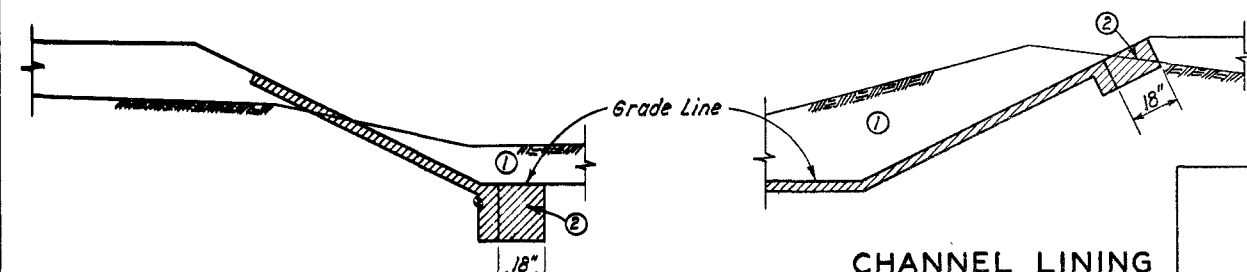
PREFABRICATED METAL END SECTION
(Type 3 Connection used for illustration)



CULVERT EXTENSION
WHEN MOVING HEADWALL
(See Standard Specifications for pipe and headwall removal)

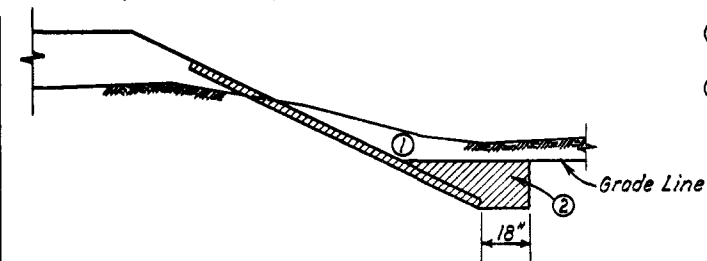


DROP INLETS
(Type 3 Drop Inlet Illustrated)



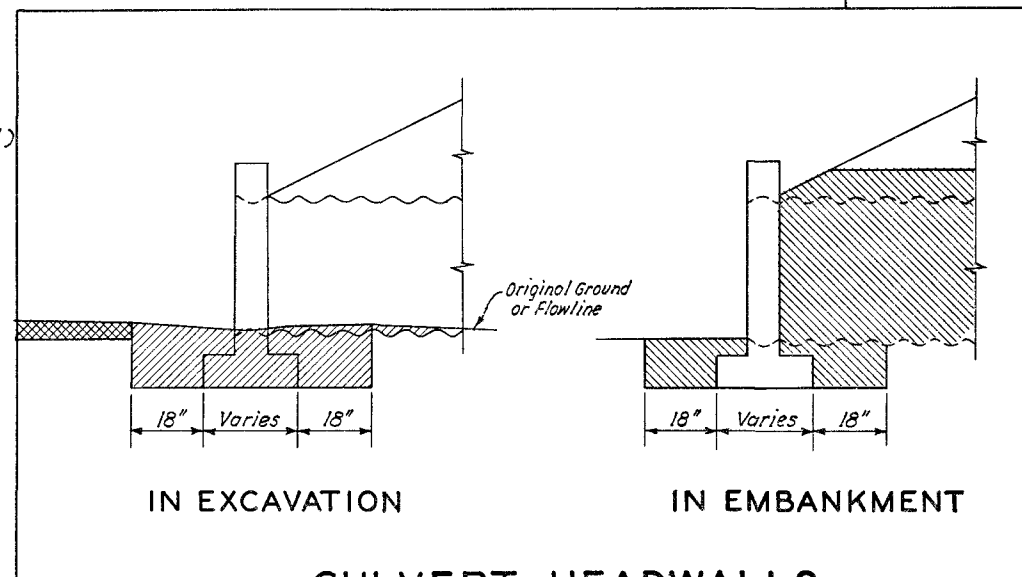
CHANNEL LINING
(Width and Depth to be specified)

SLOPE PAVEMENT WITH CUTOFF WALL
(Width and Depth to be specified)



CONCRETE APRON
(Width and Depth to be specified)

- ① Roadway or Channel Excavation (To be specified).
- ② Payment for Backfill to be included in price paid for Slope Paving or Channel Lining.



IN EXCAVATION

IN EMBANKMENT

LEGEND

- Structure Excavation
- Backfill
- Roadway Excavation
- Channel Excavation
- Drainage Excavation
- Roadway Embankment
- Foundation Fill

SEE SHEET NO. 1 FOR GENERAL NOTES

10703833

146 STATE OF NEVADA
DEPARTMENT OF HIGHWAYS
STANDARD DETAILS
STRUCTURE EXCAVATION & BACKFILL
METHOD OF MEASUREMENT