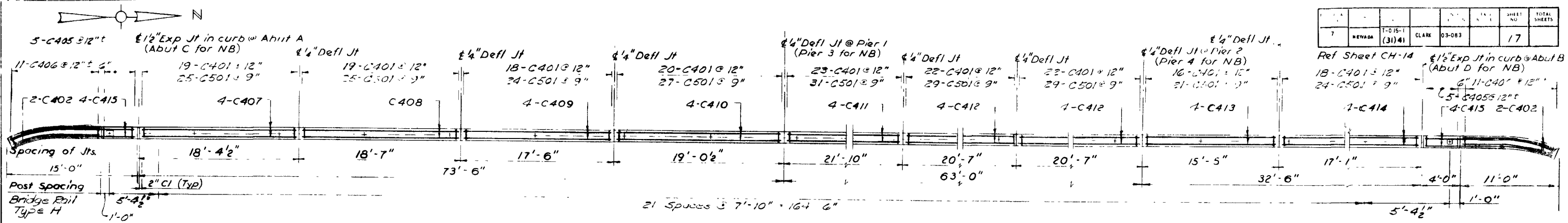
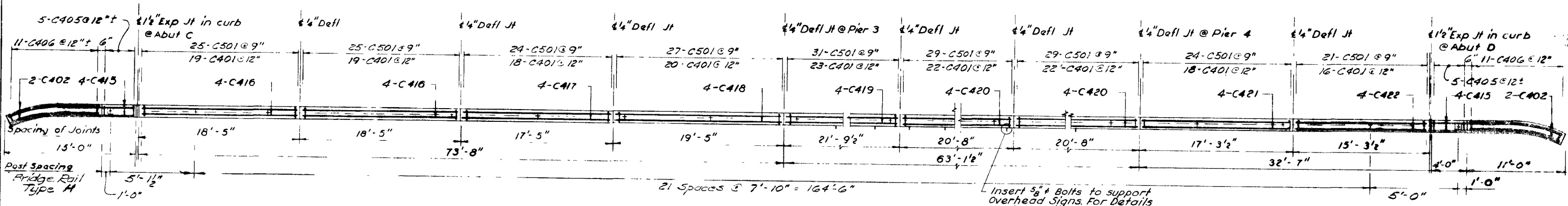


7	NEVADA	1-016-1 (31)41	CLARK	03-083		SHEET NO 17	TOTAL SHEETS
---	--------	-------------------	-------	--------	--	----------------	--------------



PLAN OF EAST CURB - SOUTHBOUND ROADWAY

NOTE  
West curbs - Northbound & Southbound roadways similar to East curb - Southbound roadway, but opposite hand about face of parapets.



PLAN OF EAST CURB - NORTHBOUND ROADWAY

Note: 1. For all curb details see Std D1  
2. Indicates Bridge Rail Posts.  
3. Place 1-C401 @ each side of rail post anchor bolt assemblies 2\"/>

58977

10703833

STATE OF NEVADA  
DEPARTMENT OF HIGHWAYS  
CHARLESTON BLVD OVERPASS  
I-934N & I-934S  
PARAPETS

DE LEW, CATHERS & COMPANY  
ENGINEERS  
SAN FRANCISCO, CALIFORNIA

NT  
NT  
PJW  
BALOWS