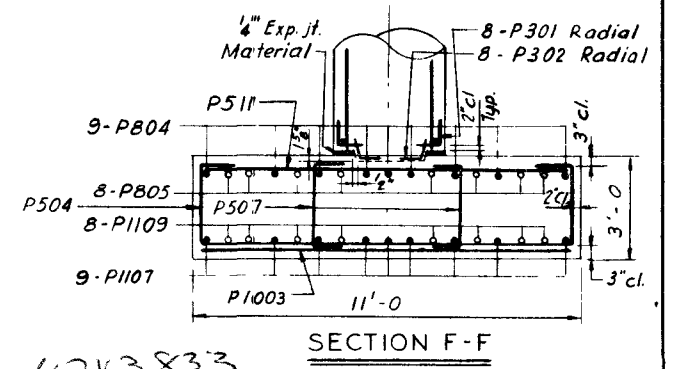
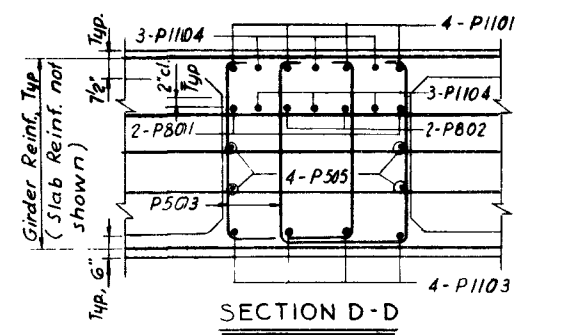
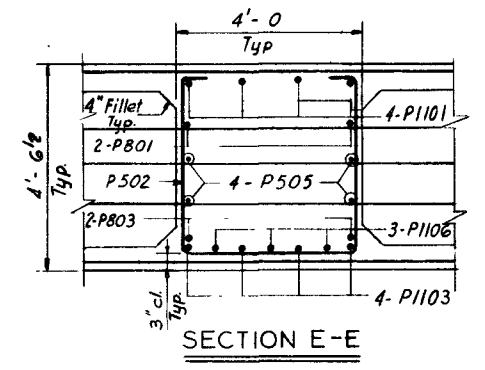
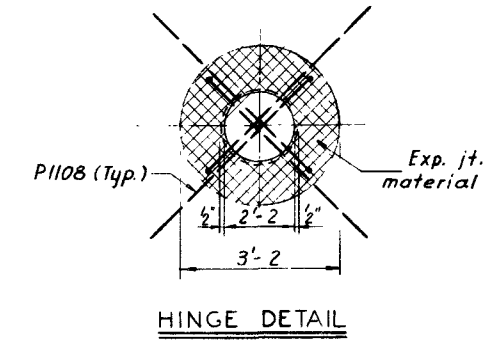
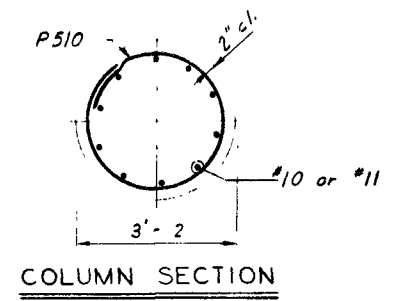
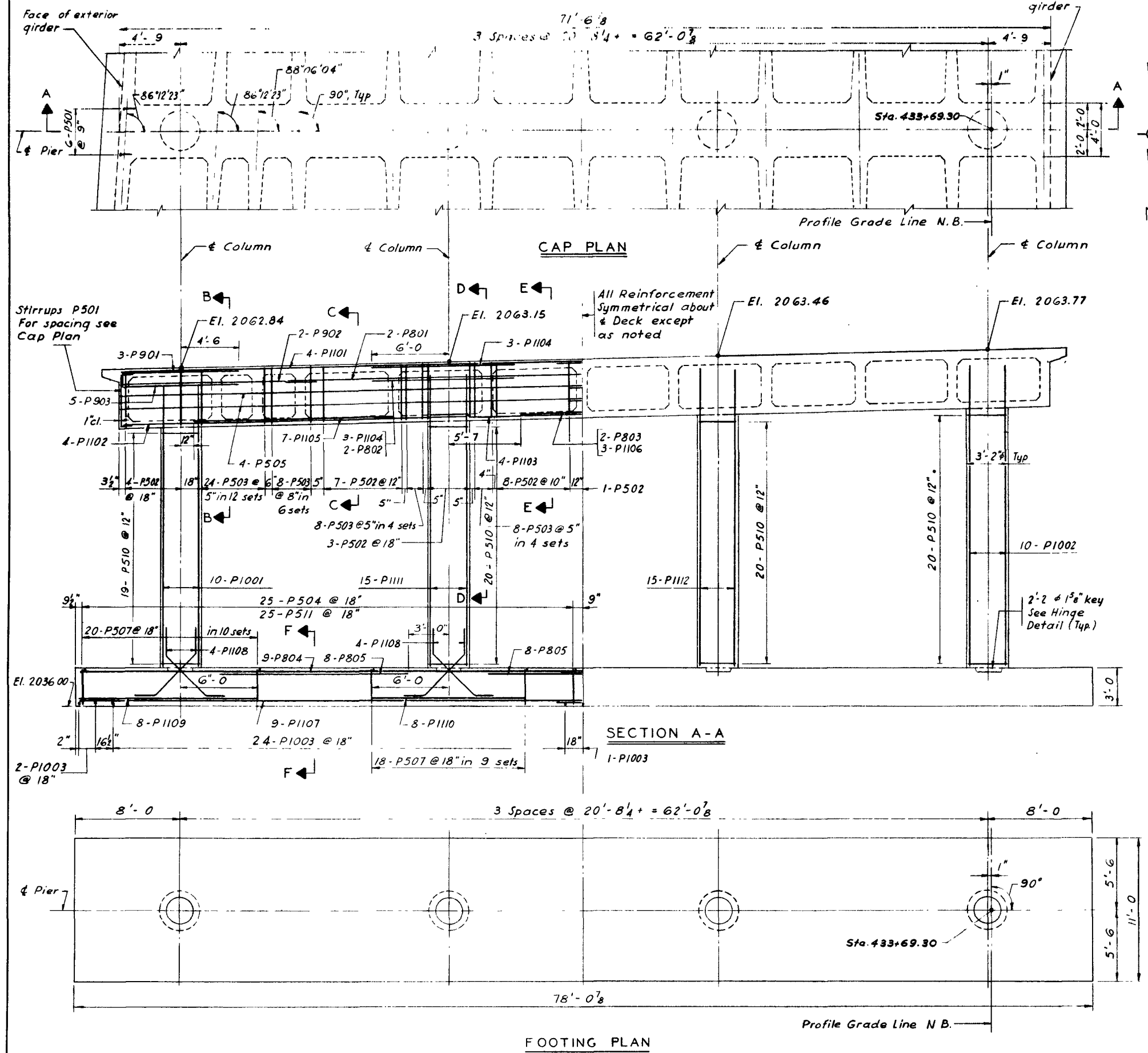
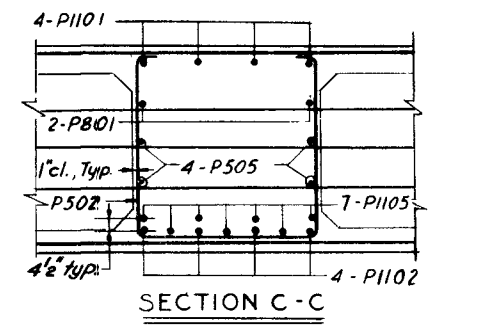
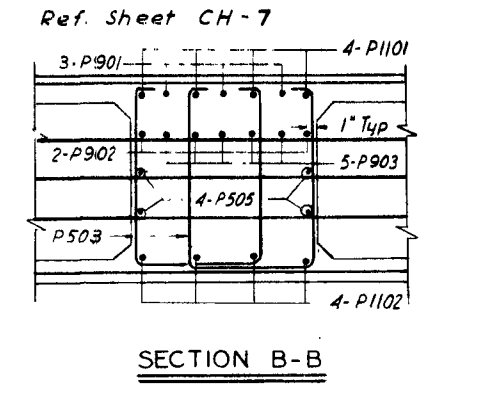


FED. ROAD DIST. NO.	STATE	PROJECT NO.	COUNTY	CONTRACT SECTION	STATE ROUTE	SHEET NO.	TOTAL SHEETS
7	NEVADA	I-934-1 (31) 41	CLARK	03-088		70	



NOTE:
All columns must be braced until superstructure is in place



58970

STATE OF NEVADA
DEPARTMENT OF HIGHWAYS

CHARLESTON BLVD OVERPASS
I-934 N & I-934 S
PIER 3

70

DE LEUW, CATHY & COMPANY ENGINEERS SAN FRANCISCO CALIFORNIA	CHECKED BY: PKF DRAWN BY: RDL DESIGNED BY: PJW APPROVED BY: BA Lewis
---	---