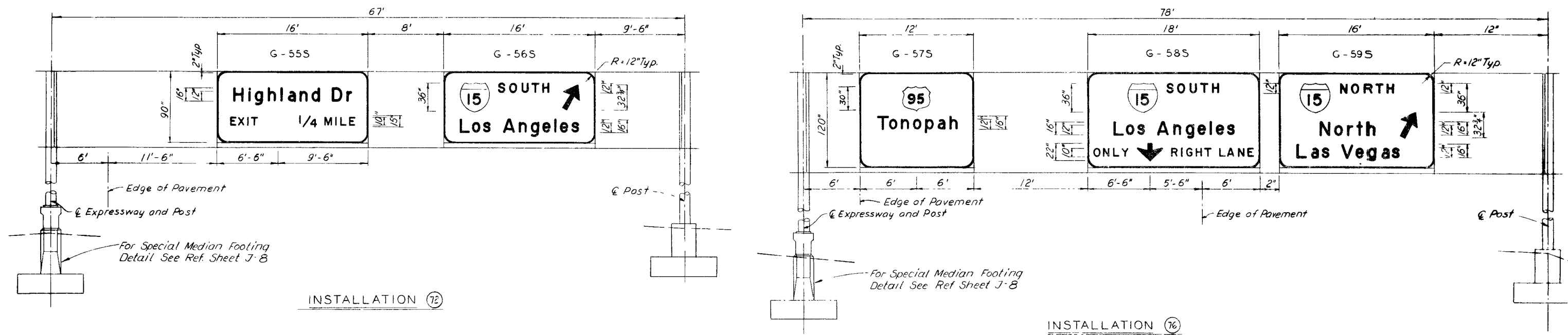
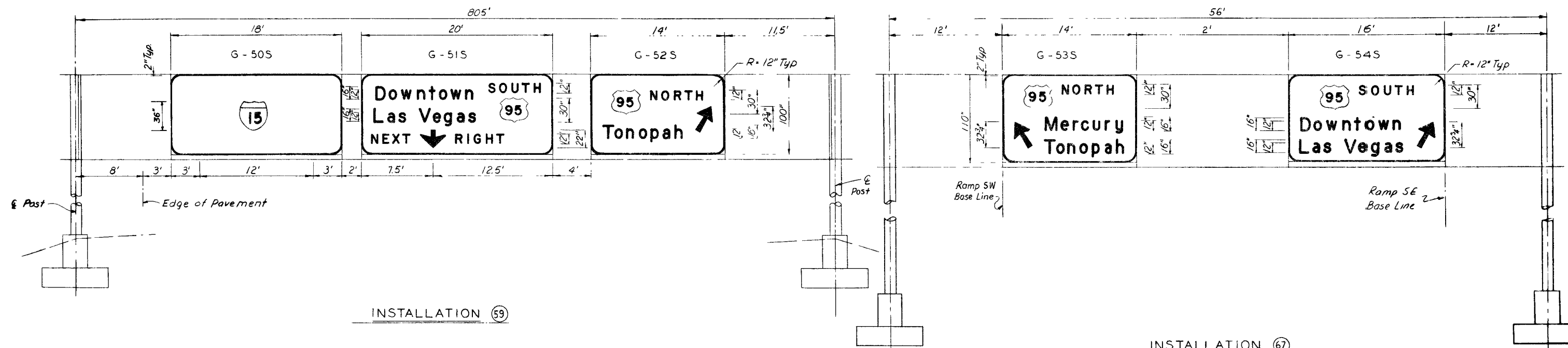


NO.	DATE	BY	REVISION	SHEET NO.	TOTAL SHEETS
7					
				111	
				REF. SH. NO.	
				J-6	



59011
59063

107V3833

STATE OF NEVADA
DEPARTMENT OF HIGHWAYS

111

GUIDE SIGN DETAILS 63

BONANZA INTERCHANGE
LAS VEGAS

DESIGNED BY: J.K. JBL
CHECKED BY: M.A.S.